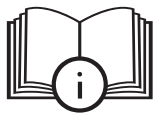
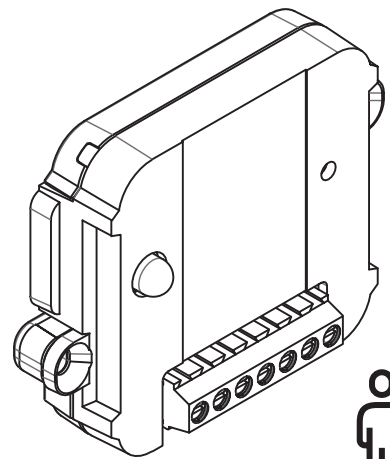


tedee Dry Contact



EN | NEVER plug the device directly into an electrical outlet or 230V/110V power supply. High risk of electrocution and/or fire and physical injury, if ignored.

DO NOT touch the outputs of your installation without proper insulation (i.e. rubber gloves). Even when the device is turned off, the outputs may still be live (actively transmitting electricity).

All installation work should ALWAYS be performed with the power circuit disconnected.

PL | NIGDY nie podłączaj urządzenia bezpośrednio do gniazka elektrycznego lub zasilania 230V/110V. Zignorowanie tego ostrzeżenia grozi porażeniem prądem, pożarem oraz obrażeniami ciała.

NIE DOTYKAJ wyjąć instalacji bez odpowiedniej izolacji (np. gumowych rękawic). Nawet gdy urządzenie jest wyłączone, wyjścia mogą być pod napięciem (aktywnie przesyłając energię elektryczną).

Wszystkie prace instalacyjne należy ZAWSZE wykonywać przy odłączonym obwodzie zasilania.

DE | Schließen Sie das Gerät NIEMALS direkt an eine Steckdose oder eine 230V/110V-Stromversorgung an. Bei Nichtbeachtung dieser Warnung besteht die Gefahr von Stromschlägen, Feuer und Verletzungen.

Berühren Sie die Ausgänge des Systems NICHT ohne ausreichende Isolierung (z. B. Gummihandschuhe). Auch wenn das Gerät ausgeschaltet ist, können

die Ausgänge unter Spannung stehen (aktive Stromübertragung).

Führen Sie alle Installationsarbeiten IMMER bei abgeschaltetem Stromkreis durch.

FR | Ne branchez JAMAIS l'appareil directement sur une prise électrique ou une alimentation 230V/110V. En ignorant cet avertissement, vous vous exposez à des risques d'électrocution, d'incendies et de blessures.

NE PAS toucher les sorties du système sans une isolation adéquate (par exemple, des gants en caoutchouc). Même lorsque l'appareil est éteint, les sorties peuvent être sous tension (transmission active d'électricité).

Effectuez TOUJOURS tous les travaux d'installation en débranchant le circuit d'alimentation.

ES | NUNCA conecte la unidad directamente a una toma de corriente o a una fuente de alimentación de 230V/110V. Si ignora esta advertencia, corre el riesgo de sufrir descargas eléctricas, incendios y lesiones.

NO toque las salidas del sistema sin un aislamiento adecuado (por ejemplo, guantes de goma). Incluso cuando la unidad está apagada, las salidas pueden estar bajo tensión (transmitiendo electricidad activamente).

Realice SIEMPRE todos los trabajos de instalación con el circuito de alimentación desconectado.

IT | Non collegare MAI l'unità direttamente a una presa di corrente o a un'alimentazione a 230V/110V. Ignorando questa avvertenza si rischia scosse elettriche, incendi e lesioni.

NON toccare le uscite del sistema senza un adeguato isolamento (ad es. guanti di

gomma). Anche quando l'unità è spenta, le uscite possono essere sotto tensione (trasmettono attivamente elettricità).

Eseguire SEMPRE tutti i lavori di installazione con il circuito di alimentazione scollegato.

PT | NUNCA ligue a unidade diretamente a uma tomada elétrica ou a uma fonte de alimentação de 230V/110V. Ignorar este aviso pode provocar choques elétricos, incêndios e ferimentos.

NÃO toque nas saídas do sistema sem um isolamento adequado (por exemplo, luvas de borracha). Mesmo quando a unidade está desligada, as saídas podem estar sob tensão (transmitindo eletricidade ativamente).

Efectue SEMPRE todos os trabalhos de instalação com o circuito de alimentação desligado.

DA | Tilslut ALDRIG enheden direkte til en stikkontakt eller en 230V/110V-strømforsyning. Hvis denne advarsel ignoreres, er der risiko for elektrisk stød, brand og personskade.

Rør IKKE ved systemets udgange uden tilstrækkelig isolering (f.eks. gummihandsker). Selv når enheden er slukket, kan udgangene være strømførende (aktivt transmitterende elektricitet).

Udfør ALLTID alt installationsarbejde med strømkredsen frakoblet.

NL | Sluit het apparaat NOOIT rechtstreeks aan op een stopcontact of 230V/110V voeding. Het negeren van deze waarschuwing kan leiden tot elektrische schokken, brand en verwondingen.

Raak de uitgangen van het systeem NIET aan zonder afdoende isolatie (bv. rubberen handschoenen). Zelfs als de unit is uitgeschakeld, kunnen de uitgangen

onder spanning staan (actief elektriciteit uitzenden). Voer alle installatiewerkzaamheden ALTIJD uit terwijl het stroomcircuit is uitgeschakeld.

SE | Anslut ALDRIG enheten direkt till ett eluttag eller 230V/110V strömförsörjning. Om du ignorerar denna varning finns risk för elektriska stötter, brand och personskador.

Vid rör INTE systemets utgångar utan tillräcklig isolering (t.ex. gummihandskar). Även när enheten är avstängd kan utgångarna vara spänningsförande (aktivt överföra elektricitet).

Utför ALLTID allt installationsarbete med strömkretsen fränkopplad.

NO | Koble ALDRIG enheten direkte til en stikkontakt eller 230V/110V strømforsyning. Hvis du ignorerer denne advarsel, risikerer du elektrisk støt, brann og personskade.

IKKE ta på systemets utganger uten tilstrekkelig isolasjon (f.eks. gummihansker). Selv når enheten er slått av, kan utgangene være spenningsførende (aktivt overføring av elektrisitet).

Utfør ALLTID alt installasjonsarbeid med strømkretsen frakoblet.

FI | ÄLÄ KOSKAAN kytke laitetta suoraan pistorasiaan tai 230V/110V virtalähteeseen. Tämän varoituksen huomiotta jättäminen aiheuttaa sähköiskun, tulipalon ja loukkaantumisen vaaran.

ÄLÄ koske järjestelmän ulostuloihin ilman riittävää eristystä (esim. kumihanskat). Vaikka yksikkö olisi kytketty pois päältä, lähdöt voivat olla jännitteisiä (lähettää aktiivisesti sähköä).

Suorita AINA kaikki asennustyöt

virtapiirin ollessa katkaistuna.

RO | Nu conectați NICIODATĂ unitatea direct la o priză electrică sau la o sursă de alimentare de 230V/110V. Dacă ignorați acest avertisment, riscați să vă electrocuțize, să provocați incendii și să vă răniți.

NU atingeți ieșirile sistemului fără o izolație adecvată (de exemplu, mănuși de cauciuc). Chiar și atunci când unitatea este oprită, ieșirile pot fi sub tensiune (transmit electricitate în mod activ).

Efectuați ÎNTOTDEAUNA toate lucrările de instalare cu circuitul de alimentare deconectat.

BG | НИКОГА не свързвайте устройството директно към електрически контакт или захранване 230V/110V. Пренебрегването на това предупреждение крие риск от токов удар, пожар и нараняване.

НЕ докосвайте изходите на системата без подходяща изолация (например, гумени ръкавици). Дори когато устройството е изключено, изходите може да са под напрежение (активно да предават електричество).

ВСИЧКИ монтажни работи извършвайте при изключена електрическа верига.

EL | ΠΟΤΕ μην συνδέετε τη μονάδα απευθείας σε ηλεκτρική πρίζα ή σε παροχή ρεύματος 230V/110V. Η αγνόηση αυτής της προειδοποίησης ενέχει κίνδυνο ηλεκτροπληξίας, πυρκαγιάς και τραυματισμού.

ΜΗΝ αγγίζετε τις εξόδους του συστήματος χωρίς επαρκή μόνωση (π.χ. λαοτινικά γάντια). Ακόμη και όταν η μονάδα είναι απενεργοποιημένη, οι εξόδοι ενδέχεται να βρίσκονται υπό τάση (μεταδίδουν ενεργά ηλεκτρικό ρεύμα).

Πραγματοποιείτε ΠΑΝΤΑ όλες τις εργασίες εγκατάστασης με

αποσυνδεδεμένο το κύκλωμα ρεύματος.

CR | NIKADA ne spajajte uređaj izravno na električnu utičnicu ili izvor napajanja od 230V/110V. Ignoriranje ovog upozorenja može rezultirati električnim udarom, požarom i ozljedama.

NE DIRAJTE instalacijske utičnice bez odgovarajuće izolacije (npr. gumene rukavice). Čak i kada je uređaj isključen, izlazi mogu biti pod naponom (aktivno prenose električnu energiju).

Sve instalacijske radove UVIJEK treba izvoditi s isključenim strujnim krugom.

HU | SOHA ne csatlakoztassa a készüléket közvetlenül konnektorhoz vagy 230V/110V-os tápegységhez. A figyelmeztetés figyelmen kívül hagyása áramütés, tűz és sérülés veszélyével jár.

NE érintse meg a rendszer kimeneteit megfelelő szigetelés (pl. gumikesztyű) nélkül. Még kikapcsolt állapotban is előfordulhat, hogy a kimenetek feszültség alatt állnak (aktívan továbbítják az áramot).

MINDIG végezzen el minden szerelési munkát a tápáramkör leválasztásával.

RU | НИКОГДА не подключайте устройство непосредственно к электрической розетке или источнику питания 230В/110В. Игнорирование этого предупреждения чревато поражением электрическим током, пожаром и травмами.

НЕ прикасайтесь к выходам системы без соответствующей изоляции (например, в резиновых перчатках). Даже когда устройство выключено, выходы могут находиться под напряжением (активно передавать электричество).

ВСЕГДА выполняйте все монтажные работы при отключенной цепи питания.



support@tedee.com



www.tedee.com/support



(+48) 22 307 72 67
8.00 - 16.00 (CET)



Tedee Sp. z o.o.
Karola Bohdanowicza 21/57
02-127 Warszawa
Poland

The Bluetooth® word mark and logos are registered trademarks owned by Bluetooth SIG, Inc. and any use of such marks by Tedee Sp. z o.o. is under license. Other trademarks and trade names are those of their respective owners.

Google, Android and Google Play are trademarks of Google LLC.

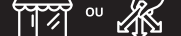
Apple and App Store are trademarks of Apple Inc. iOS is a trademark or registered trademark of Cisco in the U.S. and other countries and is used under license.



FR
Cet appareil, ses piles et cordons se recyclent

À DÉPOSER EN MAGASIN

À DÉPOSER EN DÉCHÈTERIE



Points de collecte sur www.quefairedemesdechets.fr

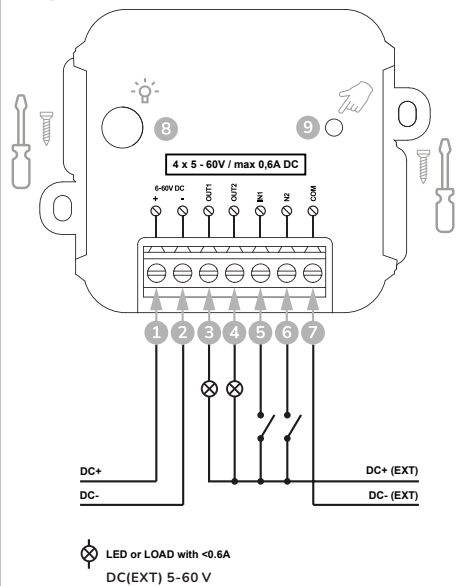


Rev11



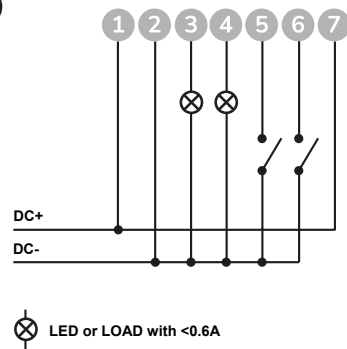
1

A

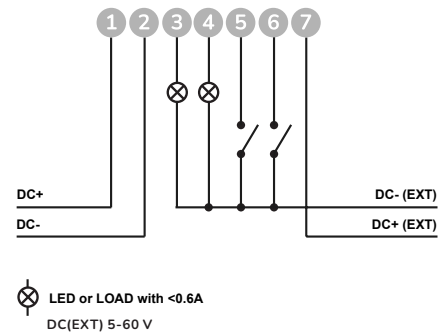


1. + DC 6-60V (power)
2. - DC 6-60V (power)
3. OUT1 - OUTPUT 1
4. OUT2 - OUTPUT 2
5. IN1 - INPUT 1
6. IN2 - INPUT 2
7. COM - COMMON
8. Status
9. Reset

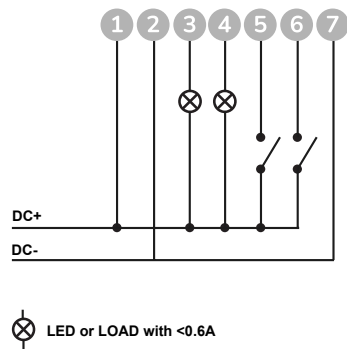
B



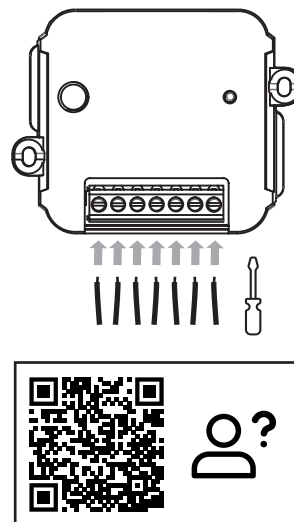
C



D



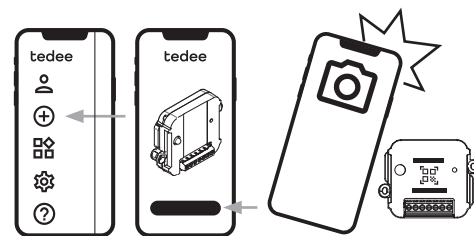
2



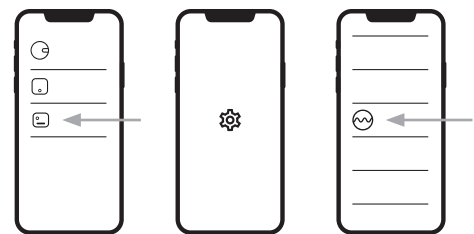
3



4

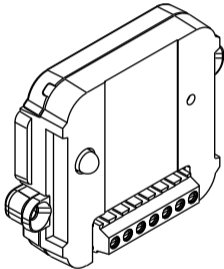


5





tedee DRY CONTACT



EN Safety Information

AR معلومات السلامة

BG Информация за безопасност

CS Bezpečnostní informace

DA Sikkerhedsoplysninger

DE Sicherheitsinformationen

EL Πληροφορίες ασφαλείας

ES Información de seguridad

ET Ohutusteave

FI Turvallisuustiedot

FR Informations de sécurité

GA Faisnéis Sábháilteachta

HR Sigurnosne informacije

HU Biztonsági információk

IT Informazioni sulla sicurezza

JA 安全情報

LT Saugos informacija

LV Drošības informācija

MT Informazzjoni dwar is-Sigurtà

NL Veiligheidsinformatie

NO Sikkerhetsinformasjon

PL Informacje dotyczące bezpieczeństwa

PT Informações de segurança

RO Informații de siguranță

RU Информация о безопасности

SK Bezpečnostné informácie

SL Varnostne informacije

SV Säkerhetsinformation

UA Інформація щодо безпеки







tedee DRY CONTACT

EN Safety Information	4	JA 安全情報	54
AR معلومات السلامة	8	LT Saugos informacija	57
BG Информация за безопасност	11	LV Drošības informācija	60
CS Bezpečnostní informace	15	MT Informazzjoni dwar is-Sigurtà	63
DA Sikkerhedsoplysninger	18	NL Veiligheidsinformatie	66
DE Sicherheitsinformationen	21	NO Sikkerhetsinformasjon	70
EL Πληροφορίες ασφαλείας	24	PL Informacje dotyczące bezpieczeństwa	73
ES Información de seguridad	28	PT Informações de segurança	76
ET Ohutusteave	31	RO Informații de siguranță	79
FI Turvallisuustiedot	34	RU Информация о безопасности	83
FR Informations de sécurité	37	SK Bezpečnostné informácie	86
GA Faisnéis Sábháilteachta	41	SL Varnostne informacije	89
HR Sigurnosne informacije	44	SV Säkerhetsinformation	92
HU Biztonsági információk	48	UA Інформація щодо безпеки	95
IT Informazioni sulla sicurezza	51		





EN: Safety Information

WARNING: Read all safety guidelines and warnings. Failure to follow the guidelines and warnings may result in electric shock, fire, and / or serious injury.

Keep these instructions for future use.

To access the latest, most up-to-date version of these instructions visit: <https://tedee.com/support>

WARNING: Connect the device only according to the instructions provided in this manual.

Improper connections may cause fire or electric shock, damage the device and void the product warranty. If in doubt, contact an qualified electrician for support or the manufacturer.

DANGER! RISK OF ELECTRIC SHOCK!

DO NOT touch the outputs of your installation without proper insulation (i.e. rubber gloves). Even when the device is turned off, the outputs may still be live (actively transmitting electricity). All installation work should ALWAYS be performed with the power circuit disconnected.

NEVER plug the device directly into an electrical outlet or 230V/110V power supply. High risk of electrocution and/or fire.

Do not

Do not open, modify or disassemble your device or its accessories.

Do not self-service any part of the device. If repairs are required, please contact Tedee technical support at <https://tedee.com/>

Do not immerse the device in any liquid, water or expose it to moisture.

Do not use the device near extreme heat source (such as radiator or chimney), cold source, open fire or other extreme conditions.

4

Do not use the device in an environment of a high humidity or dust levels, as well as high air pollution. Use the device indoors only.

Do not insert any metal objects in device openings and gaps, except for cable ends connected according to the instructions.

Do not handle any part of the device or its accessories with wet hands.

Do not apply pressure to cables during the connection of the device beyond what is specified by the manufacturer to prevent damage or deformation.

Do not attempt to forcefully remove cables from their sockets. In case of trouble, contact Tedee support.

Do not remove the insulation from the cables except at the cable ends used in the device's sockets.

Do not install the device within the reach of children or animals, if possible.

If an animal or child damages the integrity of the device (for example, the housing breaks), stop using the device and contact Tedee technical support.

The device should not be used by children under the age of 13 without adult supervision.

Do not share your Tedee application login credentials or grant remote access to your premises to unauthorized persons. The manufacturer shall not be liable for damage caused by granting access to the premises to unauthorized personnel.

WARNING: Tedee Dry Contact may suffer from technical failure, so it may not be able to open your door lock. Always carry your smartphone and the key to the door lock with you or leave it in an accessible place so that the door can be unlocked manually in the event of such a device error.

Do

Follow the installation manual and safety precautions closely. If in doubt, contact Tedee technical support.





If repairs are required, please contact Tedee technical support.

Use only power supply voltage specified by Tedee. Failure may cause damage to the device, not covered by the warranty.

Other information

Not following recommendations included in this manual may be dangerous or cause a violation of the law. The manufacturer is not responsible for any loss or damage resulting from not following these instructions.

This device is safe to use under normal and reasonably foreseeable misuse operating code of conduct. If you notice any signs of errors or hardware malfunction, contact Tedee technical support for help. In such case this device should be returned to Tedee for necessary repairs under the warranty conditions. Any changes or modifications to the device's hardware or software which are not approved, recommended, or provided by Tedee may void your warranty.

This device requires power source and Bluetooth(R) connection for proper operation. In order to pair the device with Tedee Bridge an Internet connection is required to use some of device's features. The manufacturer is not responsible for potential room access problems resulting from lack of internet access or failure or exhaustion of the power source.

This device is not intended for use as part of a home security system. The manufacturer does not declare any anti-burglary properties or attestations, certificates or classes of anti-burglary protection for the device. The manufacturer shall not be liable for any potential damage/injury sustained due to theft, burglary or intrusion resulting from damage, overcoming or unauthorized gaining control of the device.

This device may require the purchase of additional products to enable some of its features. If in doubt, please contact Tedee support.

Connecting the device to a power supply that does not meet the specifications outlined in EN 50081-1, EN 50082-1, UL508, and EN 60950 can void the warranty.

Maintenance

Disconnect the product from the power supply before cleaning. Do not use any lubricants, cleaning agents, polishes or air fresheners on any part of the device. Wipe it with a dry cloth only.

Never use a damaged cables when connecting the device.

Do not attempt to disassemble the cable as this may expose you to electric shock.

Technical Information

Device Specification

Dimensions: 44.5 x 57.5 x 16 mm

Supply voltage: 5-60V DC

Number of inputs: 2

Input type: Normally Open

Number of outputs: 2

Output type: Normally Open

Body material: PC+ABS

Bluetooth communication: BLE 5.2, 2.4GHz

Operating temperature: 0-60°C

Operating humidity: 0-90%

Compatible with Tedee devices: Tedee PRO, Tedee GO2, Tedee GO, Tedee Bridge

Legal / Environmental Notes





EU Declaration of Conformity

Tedee Sp. z o.o. hereby declares that the Tedee Dry Contact TDCV1.0 radio device is in accordance with Directive 2014/53/EU. The full text of the EU Declaration of Conformity is available at the following internet address: <https://tedee.com/compliance>.



The device is marked with a crossed-out wheeled bin symbol – it must not be disposed of with municipal waste.

Used equipment should be taken to an authorized collection point for electrical and electronic waste (WEEE).

WEEE / RoHS

To prevent potential negative impact on the environment, consult your local laws and regulations for the proper disposal of electronic devices and batteries in your country.

Disposal of batteries – if your Tedee device contains batteries, do not dispose them with regular household waste. Hand them over to the appropriate recycling or collection point. Batteries used in Tedee devices do not contain mercury, cadmium, or lead above the levels specified in 2006/66/EC Directive.

Disposal of electronics - do not dispose your Tedee device with regular household waste. Hand it over to the appropriate recycling or collection point.



UKCA Declaration of Conformity

Manufacturer (Tedee Sp. z o.o., K. Bohdanowicza 21/57, 02-127 Warsaw, Poland) hereby declares that the Tedee Dry Contact TDCV1.0 radio device is in accordance with:

The UK Electrical Equipment (Safety) Regulations 2016

The UK Electromagnetic Compatibility Regulations 2016

The UK Radio Equipment Regulations 2017



The full text of the UKCA Declaration of Conformity is available at: www.tedee.com/compliance.

PSTI Cybersecurity Statement of Compliance

Manufacturer (Tedee Sp. z o.o., K. Bohdanowicza 21/57, 02-127 Warsaw, Poland) hereby declares that, in Tedee's opinion, this Tedee Dry Contact (TDCV1.0) with the defined support period of December 31, 2027 complies with the security requirements of Schedule 2 of the UK Product Security and Telecommunications Infrastructure Regulations 2023. The full text of the Statement of Compliance is available at the following internet address: www.tedee.com/compliance.



Bluetooth®



The Bluetooth® word mark and logos are owned by the Bluetooth SIG, Inc. and any use of such marks by Tedee Sp. z o.o. is under licence.

Google

Google, Android and Google Play are trademarks of Google LLC.

Apple

Apple and App Store are trademarks of Apple Inc. iOS is a trademark or registered trademark of Cisco in the U.S. and other countries and is used under license.



RCM


This product is compliant with the Australian Radiocommunications Equipment (General) Rules 2021 and Radiocommunications Labelling (Electromagnetic Compatibility) Notice 2017.



FCC

This device, holding FCC ID: 2BCK5TDCV10, complies with Part 15 of the FCC Rules. Operation is subject to the following two conditions:

1. This device may not cause harmful interference.
2. This device must accept any interference received, including interference that may cause undesired operation.



Any change or modification to the product not expressly approved by Tedee could void the user's authority to operate the device. This equipment complies with FCC radiation exposure limits set forth for an occupational/controlled environment.

Note: This equipment has been tested and found to comply with the limits for a Class B digital device, pursuant to part 15 of the FCC Rules. These limits are designed to provide reasonable protection against harmful interference in a residential installation. This equipment generates uses and can radiate radio frequency energy and, if not installed and used in accordance with the instructions, may cause harmful interference to radio communications. However, there is no guarantee that interference will not occur in a particular installation. If this equipment does cause harmful interference to radio or television reception, which can be determined by turning the equipment off and on, the user is encouraged to try to correct the interference by one or more of the following measures:

- Reorient or relocate the receiving antenna.
- Increase the separation between the equipment and receiver.
- Connect the equipment into an outlet on a circuit different from that to which the receiver is connected.
- Consult the dealer or an experienced radio/TV technician for help.

FCC RF Radiation Exposure Statement Caution: To maintain compliance with the FCC's RF exposure guidelines, place the product at least 20cm from nearby persons.

ISED

This device, holding ISED IC: 31583-TDCV10, contains licence-exempt transmitter(s)/receiver(s) that comply with Innovation, Science and Economic Development Canada's licence-exempt RSS(s). Operation is subject to the following two conditions:

- (1) This device may not cause interference.
- (2) This device must accept any interference, including interference that may cause



undesired operation of the device.

Le présent appareil est conforme aux CNR d'Industrie Canada applicables aux appareils radio exempts de licence. L'exploitation est autorisée aux deux conditions suivantes:

- (1) l'appareil ne doit pas produire de brouillage, et
- (2) l'utilisateur de l'appareil doit accepter tout brouillage radioélectrique subi, même si le brouillage est susceptible d'en compromettre le fonctionnement.

Radiation Exposure Statement: The product complies with the Canada portable RF exposure limit set forth for an uncontrolled environment and are safe for intended operation as described in this manual.

Déclaration d'exposition aux radiations: Le produit est conforme aux limites d'exposition pour les appareils portables RF pour les Etats-Unis et le Canada établies pour un environnement non contrôlé.

tedee® is a registered trademark of Tedee Sp. z o.o. Copyright (C) 2022. All rights reserved.

Other trademarks and trade names are those of their respective owners.

Warranty

Tedee limited hardware warranty

Tedee Sp. z o.o. warrants that Tedee devices are free from hardware defects in materials and workmanship for a period of not less than 2 years from the date of the first retail purchase.

Tedee Sp. z o.o. does not take responsibility for the misuse of devices (including methods of charging other than those described in this booklet), especially if any changes or modifications to the device hardware or software that are not approved, recommended, or provided by Tedee have been undertaken by the user.

Full warranty information is available at: www.tedee.com/warranty, at the address

8

of the manufacturer's headquarters indicated on the packaging, and at support@tedee.com.

Technical Support

E-mail: support@tedee.com

Website: www.tedee.com/support

Telephone: (+48) 22 307 72 67

Hours: 8:00 – 16:00 (CET)

Mail: Tedee Sp. z o.o., Karola Bohdanowicza 21/57, 02-127 Warsaw, Poland

معلومات السلامة AR:

يُعدُّ تاريخيذحتلو تاداشورالو عابيتا مدع يذوي دق بتاريخيذحتلو و قوالسلا تاداشورا عيمج أرقا تريذحت تريطخ عباصلرا واكو قيروح وأ ئيئابرهك قندص أوقال امداعستسال تاميلحتلا مذعب ظففتحا

لديلتا انه يف تدرالو تاميلحتل اقفو طقف زاوجلنا ليصوتب بق تريذحت <https://tedee.com/support> تريازب بق تاميلحتلا هذ نم شذح رادصلرا شذحاً يلدلا لوصورللا

زاوجلنا فصالتاو، ئيئابرهك قندص وأ قيروح بوشرن يلدلا ؤح يوصلنا ريغ تاليفصولنا يذوت دق ظفرتللا عم وأ مدعلا يلح لوصورللا لؤم ئيئابرهك عم لصولت، لشرلنا دنح. جتجلنا زامض ماغلجا و عغصمجا

إءيئابرهكلا قندصلرا رطخ ارطخ

دنع يفتح (ئيطاطلنا تازافقلا لشم) بمرانم لزغ نود لئيدل تاميلحتلنا تاجراعم/جراعم سولت ال اقوالو بجي (مشرن لكشراب مابرهكلا لقنت) دهجلا تحت جراجملا لظت دق، زاوجلنا ليغشرت فساقيا قاطللا قرياد لصرغ عم بيكرتلا لادعاع عيمج ذيفنت

تشلوف 110/تشلوف 230 ققاطردصمب وأ ئيئابرهك سبقبب قوشابم زاوجلنا ليصوتب انبأ هقت ال قيروح واكو ئيئابرهك قندصلر ضررحتلل لا ع رطخ

زاهجلا يف أطخ شودج لاح يف اُيودي باببلا حتف نلمدي

لرحا

يَنْفِلا مَدْجِلا عم لصاوت ،ششلا لاح يف .قوب قمالسرا تاطايت حاو شيبتستلا ليلا دختسا
Tedee. لـ

Tedee. لـ يَنْفِلا مَدْجِلا عم لصاوتلا يجرى ،تاحالصرا يلا ءجاج لئانه تنك انه اذا

ومو زاهجلا فلتت يلا ماوتسالا مدع يودي دق .Tedee مدحت يذلا قاطلا ردهم دهج طقف مدختسا
ناهمضلا ميظغي ام

وردخا تاملول عم

قتلا عم يف ميبست ي دق وأ اُزيطخ ليلا انه يف دتاولا تايصوتلا عابتا مدع نولدي دق
عابتا مدع نع چتجان رهض وأ فرامخ يان نع فيلؤوسجلا ءغنصلنا ظفوشلا لمحتت ال .نوناقلا
تاميل عتلا ده

لقشب بختول مادمختسالا موسوي يداغلا لي غتشل فوسوظ لظ يف مادمختسال نم زاهجلا اذه
زهجالا يف لطح وأ ماطخ دوجر يلع تاملال عيا تطحال اذا .يلاي غتشل لقتولسرا دغوق قسو لوق عم
زاهجلا عاجرا بجي ،طاحلا هذ يف .دغاسجلا يلع لوصوجل Tedee. لـ يَنْفِلا مَدْجِلا عم لصاوت
تاليدت وأ تاريغي يلا يديت دق .ناهمضلا طورشل اقسو قباللا تاحالصرا مارجال Tedee يلا
يلا Tedee نم مبقول يريغ وأ ابب يصولتا يريغ وأ كتبت عتلا يريغ متاي جرب وأ زاهجلا دتاع يلع
ناهمضلا داغلا

عم زاهجلا نارقالو .جي حصلا لي غتشل (Bluetooth(R لاصتاو ققاط ردهم زاهجلا اذه بيلطتي
ظفوشلا لمحتت ال .زاهجلا تازيم ضرع مادمختسال تنرتنلاب لاصتا بولي Tedee Bridge
رفوت مدع نع چتجانلا نالهل/قتصرغلا يلا لمحتجلا لوصولا تالقشم نع فيلؤوسجلا ءغنصلنا
ققاط ردهم دافن/لطح وأ تنرتنلا

نع ءغنصلنا ظفوشلا نلعت ال .يلازيم نم ماظن نم مزجك مادمختسال صرض عم يريغ زاهجلا اذه
لمحتت ال .زاهجلا وطسلا دهض يمام تايف وأ تادامت/تاداش وأ قورسلا كاضم صراسخ يلا
للسلا وأ وطنلا وأ قورسلا نع چتجان طبعتم خباصار رهض يان نع فيلؤوسجلا ءغنصلنا ظفوشلا
جيرهصت زود ميلمع قفوشلا وأ ميلمع بيل عتلا وأ زاهجلا فلتت ءچيتن

لصاوتلا يجرى ،ششلا دق .تازيم ضرع نم يلقبنتل فيفاضا تاجتنم مارش زاهجلا اذه بيلطتي دق
Tedee. مذج عم

لرعت ال

اطككفت وأ اطذجت وأ متاقحلم وأ كزازح حتغت ال

لصاوتلا يجرى ،تاحالصرا يلا ءجاج لئانه تنك انه اذا .كسرفنب زاهجلا نم مزج يان تايصوب وقت ال
<https://tedee.com> :ربع Tedee. لـ يَنْفِلا مَدْجِلا عم

ببوسولل مضرجت الو وام وأ لئاس يان يف زاهجلا رمجت ال

وأ ،دورب ردهم وأ ،(غنجدلا وأ فاندجلا لشم) ديدش قزاح ردهم نم بيقولاب زاهجلا مدختست ال
يرخا فيساق فوسوظ يان وأ ،فوشلشم بيل

فيهيبي يف لئللكو ،ءغفترم رابع تايوتسوم وأ فيلماع ببوسول شاذ فيهيبي يف زاهجلا مدختست ال
طقف قفل عتلا نكاملال لخاد زاهجلا مدختسا .ءغفترم مومه شولت تاذ

لقصتلا تالباللا فارطا ءانشتساب ،متاوجسو زاهجلا تاجتف يف فين دجم ماسجا يان لخدت ال
تاميل عتلا اقسو

ناقتل لدم كئاديو متاقحلم وأ زاهجلا نم مزج يان عم لم اجمت ال

فلتلا عميل عتلا مدح اما زواجيتي ابب زاهجلا ليصوت ءانشا تالباللا يلع طغضت ال
بوشتلا وأ

Tedee. مذج عم لصاوت ،لقشم شودج لاح يف .قوقلاب اسباقم نم تالباللا عزن لواجت ال

زاهجلا سباقم يف مدمختسالا تالباللا فارطا دق ال تالباللا لزع لزت ال

نكلمنا ،نا تانوايحا وأ لافطلا لوانبم نهض زاهجلا تيبتستب وقت ال

(فقالغلا ارسلنا ،لماشلنا لي بس يلع) زاهجلا قبالس فالتا يف ناويح وأ لغضب ميبست اذا
Tedee. لـ يَنْفِلا مَدْجِلا عم لصاوتو زاهجلا مادمختسا نع فقوتف

غلاب صرخش فارشا زود اذاع 13 نس زود لافطال لبق نم زاهجلا مادمختسا يغبني ال

لهرقم يلا دج نم نع الوصور چنعت الو Tedee قيببنتل لوخدلا ليچيت تانايب كراشت ال
چن نم چتجانلا رارضالا نع فيلؤوسجلا ءغنصلنا ظفوشلا لمحتت ال .نيلومخ يريغ صراسخ ال
نيلومخ يريغ صراسخ ال رقبلا يلا لوصو

لقباب لفق حتف نم يلقبنتي ال دق انل ،ينقت لطح Tedee Dry Contact مضرعتي دق تريخت
يتح يلا لوصولا لسري نكلم يف اهدرتنا وأ كدم باببلا لفق حاقتسوي كئللا كغتتاه لئيد لمجا



EN 50081-1 و EN 50082-1 يف كدجلا تافصاوطاب يف ال قاط ردهرهب زاوجلا لىصوت يدوي دق نامضلا ماغلا علما EN 60950 و UL508 و EN 50082-1

قنايصرلا

وأ تافظنم وأ ميشرتت داوم يأ مدختست ال .فيظنننلا لبق قاطلا ردهرم نع جتنملا لىصرلا .طقف قفاج شرايق وخطوب هجسما .زاوجلا نم مزج يا لىع ءاوه تارطعم وأ تاعلم

زاوجلا لىصوت دنع قفلا تالباك انبأ مدختست ال

فيىابرهك فدهرل كصووعى دق كليل نال لبائللا كئىكفخت لواحت ال

قنينقت تامولعم

زاوجلا تافصاوم

مم 16 × 57.5 × 44.5 :داعبال

(DC) ردهرم رايث تلافوف 5-60 :ئىذغتللا دمج

دع :لخادبلا ددع

Normally Open :لخادبلا عون

2 :براجبلا ددع

Normally Open :براجبلا عون

PC+ABS :للكيىلا قدام

Bluetooth® BLE 5.2, 2.4GHz :لاصرتا

0-60°C :لىغشنتلا عوارح وچرد

0-90% :لىغشنتلا كسوط

Tedee Bridge, Tedee GO, Tedee GO2, Tedee PRO :نم قفقاوتبلا تزوجلا

قئىىاب / قئىنوناق تافصالم



تايافننلا عم نم صرلختلا ددع بجيو — كسوطشم تالاجعب تالمم لىس زهررب زاوجلا زىيىتت جت فيىللبلا

قئىنورتكفلالا قئىىابرهكلا تايافننلا قئىتعم عم قئىيىتت قفون علما قئىدختسبلا تادعبللا لقن بجى (WEEE).

WEEE / RoHS

كئىلب يف قئىلجلا حىاوللاو نيناوللا عجار ،قئىيىلا لىع لىتعم يلبس ريشات يا بنجنتل تاياراطبلاو قئىنورتكفلالا قزوجللا نم حىصرتلا صرلختلل

انم صرلختت لىف ،تاياراطب لىع يوتحى Tedee زاوج ناك اذا — تاياراطبلا نم صرلختلا تاياراطبلا .كسنام عمىيىتت وا زىيوتت قءاع قفون علما املس .قئىداعلا قئىلزننلا تايافننلا عم تايوتسبب صرلختلا وا قئىيىللا وا قئىيىللا لىع يوتحى ال Tedee قزوجللا يف قئىدختسبلا 2006/66/EC .قئىيوتلا يف قئىدجلا دودجلا زواجنت

املس .قئىداعلا قئىلزننلا تايافننلا عم Tedee زاوج نم صرلختت ال — تايانورتكفلالا نم صرلختلا كسنام عمىيىتت وا زىيوتت قءاع قفون علما



Bluetooth®

قءل مادختسا ياى Bluetooth SIG, Inc. قفوشل قفوشل قفوشل تاراعشلاو قئىظفلالا Bluetooth® قءال عاصرىيىتت بجووب نوئى Tedee Sp. z o.o. لىبق نم تافصالم

Google





Не потапяйте устройството в течности или вода и не го излагайте на влага.

Не използвайте устройството в близост до източници на силна топлина (напр. радиатор или комин), силен студ, открит пламък или други екстремни условия.

Не използвайте устройството в среда с висока влажност или високи нива на прах, както и при силно замърсяване на въздуха. Използвайте устройството само на закрито.

Не вкарвайте метални предмети в отворите и процепите на устройството, освен краищата на кабелите, свързани според инструкциите.

Не боравете с която и да е част от устройството или аксесоарите му с мокри ръце.

Не упражнявайте натиск върху кабелите по време на свързване, извън посоченото от производителя, за да предотвратите повреда или деформация.

Не се опитвайте да изваждате кабелите насила от гнездата им. При проблем се свържете с поддръжката на Tedee.

Не премахвайте изолацията на кабелите, освен в краищата, които се използват в гнездата на устройството.

Не монтирайте устройството на място, достъпно за деца или животни, ако е възможно.

Ако животно или дете повреди целостта на устройството (например корпусът се счули), спрете да използвате устройството и се свържете с техническата поддръжка на Tedee.

Устройството не трябва да се използва от деца под 13-годишна възраст без надзор от възрастен.

Не споделяйте данните си за вход в приложението Tedee и не предоставяйте отдалечен достъп до вашите помещения на неупълномощени лица. Производителят не носи отговорност за щети, причинени от предоставяне на достъп на неупълномощени лица.

12

ПРЕДУПРЕЖДЕНИЕ: Tedee Dry Contact може да претърпи техническа повреда, поради което може да не успее да отвори вашата брава. Винаги носете смартфона си и ключа за бравата със себе си или ги оставете на достъпно място, така че в случай на такава грешка устройството да може да бъде отключено ръчно.

Правете

Следвайте внимателно ръководството за монтаж и мерките за безопасност. При съмнение се свържете с техническата поддръжка на Tedee.

Ако са необходими ремонти, моля свържете се с техническата поддръжка на Tedee.

Използвайте само захранващото напрежение, посочено от Tedee. Неспазването може да причини повреда на устройството, която не се покрива от гаранцията.

Друга информация

Неспазването на препоръките, включени в това ръководство, може да бъде опасно или да доведе до нарушение на закона. Производителят не носи отговорност за каквито и да е загуби или щети, произтичащи от неспазване на тези инструкции.

Това устройство е безопасно за употреба при нормална употреба и при разумно предвидима неправилна употреба. Ако забележите признаци на грешки или хардуерна неизправност, свържете се с техническата поддръжка на Tedee за помощ. В такъв случай устройството трябва да бъде върнато на Tedee за необходимите ремонти при условията на гаранцията. Всякакви промени или модификации на хардуера или софтуера на устройството, които не са одобрени, препоръчани или предоставени от Tedee, могат да анулират гаранцията.

Това устройство изисква източник на захранване и Bluetooth® връзка за правилна работа. За да се двои устройството с Tedee Bridge е необходима интернет връзка за използването на някои функции. Производителят не носи отговорност за потенциални проблеми с достъпа до помещението,





произтичащи от липса на интернет или повреда/изтощаване на източника на захранване.

Това устройство не е предназначено за използване като част от домашна охранителна система. Производителят не заявява противозломни свойства или удостоверения, сертификати или класове на противозломна защита за устройството. Производителят не носи отговорност за потенциални щети/наранявания вследствие на кражба, взлом или проникване, произтичащи от повреда, преодоляване или неразрешено овладяване/контрол на устройството.

Това устройство може да изисква закупуване на допълнителни продукти, за да се активират някои негови функции. При съмнение се свържете с поддръжката на Tedee.

Свързването на устройството към захранване, което не отговаря на спецификациите, описани в EN 50081-1, EN 50082-1, UL508 и EN 60950, може да анулира гаранцията.

Поддръжка

Изключете продукта от захранването преди почистване. Не използвайте смазки, почистващи препарати, полиращи средства или ароматизатори за въздух върху която и да е част от устройството. Почиствайте само със суха кърпа.

Никога не използвайте повредени кабели при свързване на устройството.

Не се опитвайте да разглобявате кабела, тъй като това може да ви изложи на риск от електрически удар.

Техническа информация

Спецификация на устройството

Размери: 44,5 x 57,5 x 16 mm

Захранващо напрежение: 5–60V DC

Брой входове: 2

Тип входове: Normally Open (нормално отворен)

Брой изходи: 2

Тип изходи: Normally Open (нормално отворен)

Материал на корпуса: PC+ABS

Bluetooth комуникация: BLE 5.2, 2.4GHz

Работна температура: 0–60°C

Работна влажност: 0–90%

Съвместимо с устройства Tedee: Tedee PRO, Tedee GO2, Tedee GO, Tedee Bridge

Правни / екологични бележки



ЕС декларация за съответствие

Tedee Sp. z o.o. декларира, че радиоустройството Tedee Dry Contact TDCV1.0 е в съответствие с Директива 2014/53/ЕС. Пълният текст на ЕС декларацията за съответствие е достъпен на следния интернет адрес: <https://tedee.com/compliance>





Устройството е маркирано със символ на зачеркнат контейнер на колела – не трябва да се изхвърля с битовите отпадъци.

Използваното оборудване трябва да се предаде в оторизиран пункт за събиране на електрическо и електронно оборудване (WEEE).

WEEE / RoHS

За да предотвратите потенциално отрицателно въздействие върху околната среда, консултирайте се с местните закони и разпоредби относно правилното изхвърляне на електронни устройства и батерии във вашата страна.

Изхвърляне на батерии – ако вашето устройство Tedee съдържа батерии, не ги изхвърляйте с обикновените битови отпадъци. Предайте ги в подходящ пункт за рециклиране или събиране. Батериите, използвани в устройствата Tedee, не съдържат живак, кадмий или олово над нивата, посочени в Директива 2006/66/ЕО.

Изхвърляне на електроника – не изхвърляйте устройството Tedee с обикновените битови отпадъци. Предайте го в подходящ пункт за рециклиране или събиране.



Bluetooth®

Словната марка и логата Bluetooth® са собственост на Bluetooth SIG, Inc., а всяко използване на тези марки от Tedee Sp. z o.o. е по лиценз.

Google

Google, Android и Google Play са търговски марки на Google LLC.

Apple

14

Apple и App Store са търговски марки на Apple Inc. iOS е търговска марка или регистрирана търговска марка на Cisco в САЩ и други държави и се използва по лиценз.

tedee® е регистрирана търговска марка на Tedee Sp. z o.o. Авторско право (C) 2022. Всички права запазени.

Други търговски марки и търговски наименования са собственост на съответните им притежатели.

Гаранция

Ограничена хардуерна гаранция на Tedee

Tedee Sp. z o.o. гарантира, че устройствата Tedee са без хардуерни дефекти в материалите и изработката за период не по-кратък от 2 години от датата на първата покупка на дребно.

Tedee Sp. z o.o. не носи отговорност за неправилна употреба на устройствата (включително методи на зареждане, различни от описаните в тази книжка), особено ако потребителят е извършил промени или модификации на хардуера или софтуера на устройството, които не са одобрени, препоръчани или предоставени от Tedee.

Пълната информация за гаранцията е достъпна на: www.tedee.com/warranty, на адреса на централата на производителя, посочен на опаковката, и на: support@tedee.com.

Техническа поддръжка

Имейл: support@tedee.com

Уебсайт: www.tedee.com/support

Телефон: (+48) 22 307 72 67

Работно време: 8:00 – 16:00 (CET)

Адрес: Tedee Sp. z o.o., Karola Bohdanowicza 21/57, 02-127 Warsaw, Poland





CS: Bezpečnostní informace

UPOZORNĚNÍ: Přečtěte si všechny bezpečnostní pokyny a varování. Nedodržení těchto pokynů a varování může vést k úrazu elektrickým proudem, požáru a/nebo vážnému zranění.

Tyto pokyny si uschovejte pro budoucí použití.

Nejnovější, aktuální verzi těchto pokynů naleznete na: <https://tedee.com/support>

UPOZORNĚNÍ: Připojte zařízení pouze podle pokynů uvedených v tomto manuálu.

Nesprávné zapojení může způsobit požár nebo úraz elektrickým proudem, poškodit zařízení a zneplatnit záruku. V případě pochybností se obraťte na kvalifikovaného elektrikáře nebo výrobce.

NEBEZPEČÍ RIZIKO ÚRAZU ELEKTRICKÝM PROUDEM!

NEDOTÝKEJTE SE výstupů vaší instalace bez odpovídající izolace (např. gumových rukavic). I když je zařízení vypnuté, výstupy mohou být stále pod napětím (aktivně vést elektrický proud). Veškeré instalační práce musí být **VŽDY** prováděny při odpojeném napájecím okruhu.

NIKDY nezapojte zařízení přímo do elektrické zásuvky ani do napájení 230 V/110 V. Vysoké riziko úrazu elektrickým proudem a/nebo požáru.

Nedělejte

Neotevírejte, neupravujte ani nerozebírejte zařízení ani jeho příslušenství.

Neprovádějte svépomocně servis žádné části zařízení. Pokud je nutná oprava, kontaktujte technickou podporu Tedee na: <https://tedee.com>

Neponořujte zařízení do žádné kapaliny ani vody a nevystavujte jej vlhkosti.

Nepoužívejte zařízení v blízkosti zdrojů extrémního tepla (např. radiátor nebo komín), zdrojů chladu, otevřeného ohně ani v jiných extrémních podmínkách.

Nepoužívejte zařízení v prostředí s vysokou vlhkostí nebo prašností ani při vysokém znečištění ovzduší. Zařízení používejte pouze v interiéru.

Ne vkládejte do otvorů a mezer zařízení žádné kovové předměty, s výjimkou konců kabelů připojených podle pokynů.

Nemanimulujte se žádnou částí zařízení ani jeho příslušenstvím mokřýma rukama.

Během připojování zařízení nevyvíjejte na kabely tlak nad rámec specifikovaný výrobcem, aby nedošlo k poškození nebo deformaci.

Nepokoušejte se kabely násilně vytahovat ze zásuvek. V případě potíží kontaktujte podporu Tedee.

Neodstraňujte izolaci z kabelů s výjimkou konců kabelů používaných v zásuvkách zařízení.

Pokud je to možné, neinstalujte zařízení v dosahu dětí nebo zvířat.

Pokud zvíře nebo dítě naruší integritu zařízení (např. dojde k prasknutí krytu), přestaňte zařízení používat a kontaktujte technickou podporu Tedee.

Zařízení by neměly používat děti mladší 13 let bez dozoru dospělé osoby.

Nesdílejte přihlašovací údaje do aplikace Tedee ani neposkytujte vzdálený přístup do vašich prostor neoprávněným osobám. Výrobce nenese odpovědnost za škody způsobené poskytnutím přístupu neoprávněným osobám.

UPOZORNĚNÍ: Tedee Dry Contact může utrpět technickou poruchu, a proto nemusí být schopen otevřít zámek dveří. Vždy noste u sebe smartphone i klíč od zámku nebo je ponechte na dostupném místě, aby bylo možné dveře v případě takové chyby zařízení odemknout ručně.

Dělejte

Důsledně dodržujte instalační manuál a bezpečnostní opatření. V případě pochybností kontaktujte technickou podporu Tedee.

Pokud jsou nutné opravy, kontaktujte technickou podporu Tedee.





Používejte pouze napájecí napětí specifikované společností Tedee. Nedodržení může způsobit poškození zařízení, které není kryto zárukou.

Další informace

Nedodržení doporučení uvedených v tomto manuálu může být nebezpečné nebo může vést k porušení zákona. Výrobce nenese odpovědnost za žádné ztráty ani škody vyplývající z nedodržení těchto pokynů.

Toto zařízení je bezpečné při běžném používání a při rozumně předvídatelném nesprávném používání. Pokud zaznamenáte jakékoli známky chyb nebo hardwarové poruchy, kontaktujte technickou podporu Tedee. V takovém případě musí být zařízení vráceno společnosti Tedee k nezbytným opravám za podmínek záruky. Jakékoli změny nebo úpravy hardwaru či softwaru zařízení, které nejsou schváleny, doporučené nebo poskytnuty společností Tedee, mohou zneplatnit záruku.

Toto zařízení vyžaduje zdroj napájení a připojení Bluetooth® pro správnou funkci. Pro spárování zařízení s Tedee Bridge je nutné připojení k internetu pro využití některých funkcí zařízení. Výrobce nenese odpovědnost za případné problémy s přístupem do prostoru vyplývající z nedostupnosti internetu nebo selhání či vybití/vyčerpání zdroje napájení.

Toto zařízení není určeno k použití jako součást domácího zabezpečovacího systému. Výrobce neprohlašuje žádné protizlodějské vlastnosti ani potvrzení, certifikáty či třídy protizlodějské ochrany pro toto zařízení. Výrobce nenese odpovědnost za případné škody/zranění v důsledku krádeže, vloupání nebo vniknutí, které vzniknou poškozením zařízení, jeho překonáním nebo neoprávněným získáním kontroly nad zařízením.

Pro využití některých funkcí může být nutné zakoupit další produkty. V případě pochybností kontaktujte podporu Tedee.

Připojení zařízení k napájení, které nesplňuje specifikace uvedené v EN 50081-1, EN 50082-1, UL508 a EN 60950, může zneplatnit záruku.

Údržba

16

Před čištěním odpojte produkt od napájení. Nepoužívejte žádná maziva, čisticí prostředky, leštidla ani osvěžovače vzduchu na žádnou část zařízení. Otírejte pouze suchým hadříkem.

Nikdy nepoužívejte poškozené kabely při připojování zařízení.

Nepokoušejte se kabel rozebírat, protože by vás to mohlo vystavit úrazu elektrickým proudem.

Technické informace

Specifikace zařízení

Rozměry: 44,5 × 57,5 × 16 mm

Napájecí napětí: 5–60 V DC

Počet vstupů: 2

Typ vstupů: Normally Open (normálně otevřené)

Počet výstupů: 2

Typ výstupů: Normally Open (normálně otevřené)

Materiál těla: PC+ABS

Bluetooth komunikace: BLE 5.2, 2,4 GHz

Provozní teplota: 0–60 °C

Provozní vlhkost: 0–90 %

Kompatibilní se zařízeními Tedee: Tedee PRO, Tedee GO2, Tedee GO, Tedee Bridge

Právní / environmentální poznámky





EU prohlášení o shodě

Společnost Tedee Sp. z o.o. tímto prohlašuje, že rádiové zařízení Tedee Dry Contact TDCV1.0 je v souladu se směrnicí 2014/53/EU. Úplné znění EU prohlášení o shodě je k dispozici na následující internetové adrese: <https://tedee.com/compliance>



Zařízení je označeno symbolem přeškrtnuté popelnice na kolečkách – nesmí být likvidováno spolu s komunálním odpadem.

Použitá zařízení odevzdejte do autorizovaného sběrného místa pro elektrický a elektronický odpad (WEEE).

WEEE / RoHS

Aby se předešlo možnému negativnímu dopadu na životní prostředí, konzultujte místní zákony a předpisy týkající se správné likvidace elektronických zařízení a baterií ve vaší zemi.

Likvidace baterií – pokud vaše zařízení Tedee obsahuje baterie, nevyhazujte je do běžného domácího odpadu. Odevzdejte je do příslušného recyklačního nebo sběrného místa. Baterie používané v zařízeních Tedee neobsahují rtuť, kadmium ani olovo nad úroveň stanovené směrnicí 2006/66/ES.

Likvidace elektroniky – nevyhazujte zařízení Tedee do běžného domácího odpadu. Odevzdejte jej do příslušného recyklačního nebo sběrného místa.



Bluetooth®

Slovní ochranná známka a loga Bluetooth® jsou vlastnictvím společnosti Bluetooth SIG, Inc. a jakékoli použití těchto známek společností Tedee Sp. z o.o. je na základě licence.

Google

Google, Android a Google Play jsou ochranné známky společnosti Google LLC.

Apple

Apple a App Store jsou ochranné známky společnosti Apple Inc. iOS je ochranná známka nebo registrovaná ochranná známka společnosti Cisco v USA a dalších zemích a je používána na základě licence.

tedee® je registrovaná ochranná známka společnosti Tedee Sp. z o.o. Copyright (C) 2022. Všechna práva vyhrazena.

Ostatní ochranné známky a obchodní názvy jsou majetkem příslušných vlastníků.

Záruka

Omezená hardwarová záruka Tedee

Společnost Tedee Sp. z o.o. zaručuje, že zařízení Tedee jsou bez hardwarových vad materiálu a zpracování po dobu nejméně 2 let od data prvního maloobchodního nákupu.

Společnost Tedee Sp. z o.o. nenese odpovědnost za nesprávné používání zařízení (včetně metod nabíjení jiných než těch popsanych v této příručce), zejména pokud uživatel provedl jakékoli změny nebo úpravy hardwaru či softwaru zařízení, které



nejsou schváleny, doporučeny nebo poskytnuty společností Tedee.

Úplné informace o záruce jsou k dispozici na: www.tedee.com/warranty, na adrese sídla výrobce uvedené na obalu a na: support@tedee.com.

Technická podpora

E-mail: support@tedee.com

Webová stránka: www.tedee.com/support

Telefon: (+48) 22 307 72 67

Provozní doba: 8:00 – 16:00 (CET)

Poštovní adresa: Tedee Sp. z o.o., Karola Bohdanowicza 21/57, 02-127 Warsaw, Polsko

DA: Sikkerhedsoplysninger

ADVARSEL: Læs alle sikkerhedsretningslinjer og advarsler. Manglende overholdelse af retningslinjerne og advarslerne kan medføre elektrisk stød, brand og/eller alvorlig personskade.

Gem disse instruktioner til fremtidig brug.

For at få adgang til den seneste, mest opdaterede version af disse instruktioner, besøg: <https://tedee.com/support>

ADVARSEL: Tilslut kun enheden i henhold til instruktionerne i denne manual.

Forkerte tilslutninger kan forårsage brand eller elektrisk stød, beskadige enheden og ugyldiggøre produktgarantien. Hvis du er i tvivl, kontakt en kvalificeret elektriker for hjælp eller producenten.

FARE! RISIKO FOR ELEKTRISK STØD!

RØR IKKE ved udgangene på din installation uden korrekt isolation (f.eks.

18

gummihandsker). Selv når enheden er slukket, kan udgangene stadig være spændingsførende (aktivt føre strøm). Alt installationsarbejde skal **ALTID** udføres med strømkredsløbet frakoblet.

TILSLUT ALDRIG enheden direkte til en stikkontakt eller til en 230V/110V strømfor-syning. Høj risiko for elektrisk stød og/eller brand.

Gør ikke

Abn, modificér eller adskil ikke enheden eller dens tilbehør.

Forsøg ikke at udføre service på nogen del af enheden selv. Hvis reparation er nødvendig, kontakt Tedee teknisk support på: <https://tedee.com/>

Nedsæk ikke enheden i væske eller vand, og udsæt den ikke for fugt.

Brug ikke enheden i nærheden af ekstreme varmekilder (såsom radiator eller skorsten), kuldekilder, åben ild eller andre ekstreme forhold.

Brug ikke enheden i et miljø med høj luftfugtighed eller høje støvniveauer samt høj luftforurening. Brug kun enheden indendørs.

Indsæt ikke metalgenstande i enhedens åbninger og sprækker, undtagen kabelender tilsluttet i henhold til instruktionerne.

Håndtér ikke nogen del af enheden eller dens tilbehør med våde hænder.

Påfør ikke tryk på kabler under tilslutning af enheden ud over det, der er angivet af producenten, for at undgå skade eller deformation.

Forsøg ikke at trække kablerne med kraft ud af deres stik. Kontakt Tedee support i tilfælde af problemer.

Fjern ikke isoleringen fra kablerne, bortset fra ved kabelenderne, der bruges i enhedens stik.

Installer om muligt ikke enheden inden for rækkevidde af børn eller dyr.

Hvis et dyr eller et barn beskadiger enhedens integritet (f.eks. hvis huset går i styk-





ker), skal du stoppe med at bruge enheden og kontakte Tedee teknisk support.

Enheden bør ikke bruges af børn under 13 år uden voksenopsyn.

Del ikke dine loginoplysninger til Tedee-appen, og giv ikke uautoriserede personer fjernadgang til dine lokaler. Producenten er ikke ansvarlig for skader forårsaget af at give uautoriserede personer adgang til lokalerna.

ADVARSEL: Tedee Dry Contact kan blive ramt af en teknisk fejl og kan derfor muligvis ikke åbne din dørlås. Hav altid din smartphone og nøglen til dørlåsen med dig, eller læg dem et tilgængeligt sted, så døren kan låses op manuelt i tilfælde af en sådan enhedsfejl.

Gør

Følg installationsmanualen og sikkerhedsforanstaltningerne nøje. Hvis du er i tvivl, kontakt Tedee teknisk support.

Hvis reparation er nødvendig, kontakt Tedee teknisk support.


Brug kun den forsyningsspænding, der er angivet af Tedee. Manglende overholdelse kan forårsage skade på enheden, som ikke dækkes af garantien.

Andre oplysninger

Manglende overholdelse af anbefalingerne i denne manual kan være farligt eller medføre lovovertrædelse. Producenten er ikke ansvarlig for tab eller skader som følge af manglende overholdelse af disse instruktioner.

Denne enhed er sikker at bruge under normal drift og ved rimeligt forudsigelig forkert brug. Hvis du bemærker tegn på fejl eller hardwarefunktionsfejl, kontakt Tedee teknisk support for hjælp. I så fald skal enheden returneres til Tedee for nødvendige reparationer under garantibetingelserne. Enhver ændring eller modificering af enhedens hardware eller software, som ikke er godkendt, anbefalet eller leveret af Tedee, kan ugyldiggøre din garanti.

Denne enhed kræver en strømkilde og Bluetooth®-forbindelse for korrekt drift. For at parre enheden med Tedee Bridge kræves en internetforbindelse for at



bruge nogle af enhedens funktioner. Producenten er ikke ansvarlig for potentielle adgangsproblemer til rummet som følge af manglende internetadgang eller svigt/udtømning af strømkilden.

Denne enhed er ikke beregnet til brug som en del af et hjemmesikkerhedssystem. Producenten erklærer ingen indbrudshæmmende egenskaber eller attester, certifikater eller klasser for indbrudsbeskyttelse for enheden. Producenten er ikke ansvarlig for eventuelle skader/tilskadekomst som følge af tyveri, indbrud eller indtrængen, der skyldes skade på enheden, at den overvindes, eller at der opnås uautoriseret kontrol over enheden.

Denne enhed kan kræve køb af yderligere produkter for at aktivere nogle af dens funktioner. Hvis du er i tvivl, kontakt Tedee support.

Tilslutning af enheden til en strømforsyning, der ikke opfylder specifikationerne i EN 50081-1, EN 50082-1, UL508 og EN 60950, kan ugyldiggøre garantien.

Vedligeholdelse

Afbryd produktet fra strømforsyningen før rengøring. Brug ikke smøremidler, rengøringsmidler, polermidler eller luftfriskere på nogen del af enheden. Tør kun af med en tør klud.

Brug aldrig beskadigede kabler ved tilslutning af enheden.

Forsøg ikke at adskille kablet, da dette kan udsætte dig for elektrisk stød.

Tekniske oplysninger

Enhedsspecifikation

Dimensioner: 44,5 × 57,5 × 16 mm

Forsyningsspænding: 5–60 V DC

Antal indgange: 2

Indgangstype: Normally Open (normalt åben)



Antal udgange: 2

Udgangstype: Normally Open (normalt åben)

Kabinetmateriale: PC+ABS

Bluetooth-kommunikation: BLE 5.2, 2,4 GHz

Driftstemperatur: 0–60 °C

Driftsfugtighed: 0–90 %

Kompatibel med Tedee-enheder: Tedee PRO, Tedee GO2, Tedee GO, Tedee Bridge

Juridiske / miljømæssige bemærkninger



EU-overensstemmelseserklæring

Tedee Sp. z o.o. erklærer hermed, at Tedee Dry Contact TDCV1.0 radioudstyret er i overensstemmelse med direktiv 2014/53/EU. Den fulde tekst af EU-overensstemmelseserklæringen findes på følgende internetadresse: <https://tedee.com/compliance>



Enheden er mærket med et symbol af en overkrydset affaldsbeholder på hjul – den må ikke bortskaffes sammen med husholdningsaffald.

Brugt udstyr skal afleveres på et godkendt indsamlingssted for elektrisk og 20



elektronisk affald (WEEE).

WEEE / RoHS

For at undgå potentiel negativ påvirkning af miljøet, bør du konsultere lokale love og regler om korrekt bortskaffelse af elektroniske enheder og batterier i dit land.

Bortskaffelse af batterier – hvis din Tedee-enhed indeholder batterier, må de ikke bortskaffes sammen med almindeligt husholdningsaffald. Aflever dem på et passende genbrugs- eller indsamlingssted. Batterier, der bruges i Tedee-enheder, indeholder ikke kviksølv, cadmium eller bly over de niveauer, der er angivet i direktiv 2006/66/EF.

Bortskaffelse af elektronik – bortskaff ikke din Tedee-enhed sammen med almindeligt husholdningsaffald. Aflever den på et passende genbrugs- eller indsamlingssted.



Bluetooth®

Bluetooth®-ordmærket og -logoerne ejes af Bluetooth SIG, Inc., og enhver brug af sådanne mærker af Tedee Sp. z o.o. sker under licens.

Google

Google, Android og Google Play er varemærker tilhørende Google LLC.

Apple

Apple og App Store er varemærker tilhørende Apple Inc. iOS er et varemærke eller et registreret varemærke tilhørende Cisco i USA og andre lande og anvendes under licens.

tedee® er et registreret varemærke tilhørende Tedee Sp. z o.o. Copyright (C) 2022. Alle rettigheder forbeholdes.





Andre varemærker og handelsnavne tilhører deres respektive ejere.

Garanti

Tedee begrænset hardwaregaranti

Tedee Sp. z o.o. garanterer, at Tedee-enheder er fri for hardwarefejl i materialer og udførelse i en periode på mindst 2 år fra datoen for det første detailkøb.

Tedee Sp. z o.o. påtager sig ikke ansvar for misbrug af enheder (herunder opladningsmetoder ud over dem, der er beskrevet i dette hæfte), især hvis brugeren har foretaget ændringer eller modifikationer af enhedens hardware eller software, som ikke er godkendt, anbefalet eller leveret af Tedee.

Fuld garantiinformation findes på: www.tedee.com/warranty, på adressen til producentens hovedkontor angivet på emballagen, og på: support@tedee.com.

Teknisk support

E-mail: support@tedee.com

Websted: www.tedee.com/support

Telefon: (+48) 22 307 72 67

Åbningstider: 8:00 – 16:00 (CET)

Postadresse: Tedee Sp. z o.o., Karola Bohdanowicza 21/57, 02-127 Warsaw, Polen

DE: Sicherheitsinformationen

WARNUNG: Lesen Sie alle Sicherheitsrichtlinien und Warnhinweise. Die Nichtbeachtung der Richtlinien und Warnhinweise kann zu Stromschlag, Brand und/oder schweren Verletzungen führen.

Bewahren Sie diese Anweisungen für die zukünftige Verwendung auf.

Die neueste, aktuellste Version dieser Anweisungen finden Sie unter: <https://tedee.com/support>

[com/support](https://tedee.com/support)

WARNUNG: Schließen Sie das Gerät nur gemäß den Anweisungen in diesem Handbuch an.

Unsachgemäße Anschlüsse können Brand oder Stromschlag verursachen, das Gerät beschädigen und die Produktgarantie erlöschen lassen. Im Zweifelsfall wenden Sie sich an eine qualifizierte Elektrofachkraft oder an den Hersteller.

GEFAHR! STROMSCHLAGEGFAHR!

BERÜHREN SIE NICHT die Ausgänge Ihrer Installation ohne geeignete Isolierung (z. B. Gummihandschuhe). Auch wenn das Gerät ausgeschaltet ist, können die Ausgänge weiterhin spannungsführend sein (aktiv Strom führen). Alle Installationsarbeiten müssen **IMMER** bei getrenntem Stromkreis durchgeführt werden.

SCHLIESSEN SIE DAS GERÄT NIEMALS direkt an eine Steckdose oder eine 230V/110V-Stromversorgung an. Hohes Risiko von Stromschlag und/oder Brand.

Nicht

Öffnen, verändern oder zerlegen Sie das Gerät oder sein Zubehör nicht.

Warten oder reparieren Sie keine Teile des Geräts selbst. Wenn Reparaturen erforderlich sind, wenden Sie sich bitte an den technischen Support von Tedee unter: <https://tedee.com>

Tauchen Sie das Gerät nicht in Flüssigkeiten oder Wasser ein und setzen Sie es keiner Feuchtigkeit aus.

Verwenden Sie das Gerät nicht in der Nähe von extremen Wärmequellen (z. B. Heizkörper oder Kamin), Kältequellen, offenem Feuer oder anderen extremen Bedingungen.

Verwenden Sie das Gerät nicht in Umgebungen mit hoher Luftfeuchtigkeit oder hohem Staubaufkommen sowie hoher Luftverschmutzung. Verwenden Sie das Gerät nur in Innenräumen.





Führen Sie keine metallischen Gegenstände in Öffnungen und Spalten des Geräts ein, außer Kabelenden, die gemäß den Anweisungen angeschlossen sind.


Berühren oder handhaben Sie keine Teile des Geräts oder seines Zubehörs mit nassen Händen.

Üben Sie beim Anschließen des Geräts keinen Druck auf die Kabel aus, der über die Angaben des Herstellers hinausgeht, um Schäden oder Verformungen zu vermeiden.

Versuchen Sie nicht, Kabel gewaltsam aus den Buchsen zu ziehen. Wenden Sie sich bei Problemen an den Tedee-Support.

Entfernen Sie die Isolierung der Kabel nicht, außer an den Kabelenden, die in den Buchsen des Geräts verwendet werden.

Installieren Sie das Gerät nach Möglichkeit außerhalb der Reichweite von Kindern oder Tieren.



Wenn ein Tier oder ein Kind die Integrität des Geräts beschädigt (z. B. wenn das Gehäuse bricht), stellen Sie die Nutzung ein und wenden Sie sich an den technischen Support von Tedee.

Das Gerät sollte nicht von Kindern unter 13 Jahren ohne Aufsicht eines Erwachsenen verwendet werden.

Geben Sie Ihre Anmeldedaten für die Tedee-App nicht weiter und gewähren Sie Unbefugten keinen Fernzugriff auf Ihre Räumlichkeiten. Der Hersteller haftet nicht für Schäden, die dadurch entstehen, dass Unbefugten Zugang zu den Räumlichkeiten gewährt wird.

WARNUNG: Tedee Dry Contact kann einen technischen Defekt erleiden und möglicherweise Ihr Türschloss nicht öffnen. Tragen Sie Ihr Smartphone und den Schlüssel für das Türschloss immer bei sich oder bewahren Sie beides an einem zugänglichen Ort auf, damit die Tür im Fall eines solchen Gerätefehlers manuell entriegelt werden kann.

Tun Sie Folgendes

22



Befolgen Sie die Installationsanleitung und die Sicherheitsvorkehrungen genau. Im Zweifelsfall wenden Sie sich an den technischen Support von Tedee.

Wenn Reparaturen erforderlich sind, wenden Sie sich bitte an den technischen Support von Tedee.

Verwenden Sie nur die von Tedee angegebene Versorgungsspannung. Andernfalls kann das Gerät beschädigt werden; solche Schäden sind nicht durch die Garantie abgedeckt.


Weitere Informationen

Die Nichtbeachtung der in diesem Handbuch enthaltenen Empfehlungen kann gefährlich sein oder zu einem Gesetzesverstoß führen. Der Hersteller ist nicht verantwortlich für Verluste oder Schäden, die aus der Nichtbeachtung dieser Anweisungen resultieren.

Dieses Gerät ist bei normaler Nutzung sowie bei vorhersehbarer, angemessener Fehlbedienung sicher. Wenn Sie Anzeichen von Fehlern oder einer Hardware-Fehlfunktion bemerken, wenden Sie sich an den technischen Support von Tedee. In diesem Fall sollte das Gerät zur erforderlichen Reparatur gemäß den Garantiebedingungen an Tedee zurückgesendet werden. Änderungen oder Modifikationen an der Hardware oder Software des Geräts, die nicht von Tedee genehmigt, empfohlen oder bereitgestellt sind, können zum Erlöschen der Garantie führen.

Dieses Gerät benötigt eine Stromquelle und eine Bluetooth®-Verbindung für den ordnungsgemäßen Betrieb. Um das Gerät mit der Tedee Bridge zu koppeln, ist eine Internetverbindung erforderlich, um einige Funktionen des Geräts nutzen zu können. Der Hersteller ist nicht verantwortlich für mögliche Zugangsprobleme (z. B. zum Raum/Objekt), die durch fehlenden Internetzugang oder Ausfall bzw. Erschöpfung der Stromquelle entstehen.

Dieses Gerät ist nicht für die Verwendung als Teil eines Heim-Sicherheitssystems vorgesehen. Der Hersteller erklärt keine einbruchhemmenden Eigenschaften oder Atteste, Zertifikate oder Klassen des Einbruchschutzes für das Gerät. Der Hersteller haftet nicht für mögliche Schäden/Verletzungen infolge von Diebstahl, Einbruch



oder Eindringen, die durch Beschädigung des Geräts, dessen Überwindung oder unbefugte Kontrolle über das Gerät entstehen.

Für die Nutzung bestimmter Funktionen kann der Kauf zusätzlicher Produkte erforderlich sein. Im Zweifelsfall wenden Sie sich bitte an den Tedee-Support.

Das Anschließen des Geräts an eine Stromversorgung, die nicht den in EN 50081-1, EN 50082-1, UL508 und EN 60950 genannten Spezifikationen entspricht, kann zum Erlöschen der Garantie führen.

Wartung

Trennen Sie das Produkt vor der Reinigung von der Stromversorgung. Verwenden Sie keine Schmiermittel, Reinigungsmittel, Polituren oder Lufterfrischer an irgendeinem Teil des Geräts. Wischen Sie es nur mit einem trockenen Tuch ab.

Verwenden Sie beim Anschließen des Geräts niemals beschädigte Kabel.

Versuchen Sie nicht, das Kabel zu zerlegen, da Sie dadurch einem Stromschlagrisiko ausgesetzt sein können.

Technische Informationen

Gerätespezifikation

Abmessungen: 44,5 × 57,5 × 16 mm

Versorgungsspannung: 5–60 V DC

Anzahl der Eingänge: 2

Eingangstyp: Normally Open (normalerweise offen)

Anzahl der Ausgänge: 2

Ausgangstyp: Normally Open (normalerweise offen)

Gehäusematerial: PC+ABS

Bluetooth-Kommunikation: BLE 5.2, 2,4 GHz

Betriebstemperatur: 0–60 °C

Betriebsluftfeuchtigkeit: 0–90 %

Kompatibel mit Tedee-Geräten: Tedee PRO, Tedee GO2, Tedee GO, Tedee Bridge

Rechtliche / Umweltbezogene Hinweise



EU-Konformitätserklärung

Tedee Sp. z o.o. erklärt hiermit, dass das Funkgerät Tedee Dry Contact TDCV1.0 der Richtlinie 2014/53/EU entspricht. Der vollständige Text der EU-Konformitätserklärung ist unter folgender Internetadresse verfügbar: <https://tedee.com/compliance>



Das Gerät ist mit dem Symbol einer durchgestrichenen Mülltonne auf Rädern gekennzeichnet – es darf nicht mit dem Hausmüll entsorgt werden.

Gebrauchte Geräte sind an einer autorisierten Sammelstelle für Elektro- und Elektronik-Altgeräte (WEEE) abzugeben.

WEEE / RoHS

Um mögliche negative Auswirkungen auf die Umwelt zu vermeiden, informieren Sie sich über die örtlichen Gesetze und Vorschriften zur ordnungsgemäßen Entsorgung von elektronischen Geräten und Batterien in Ihrem Land.

Entsorgung von Batterien – wenn Ihr Tedee-Gerät Batterien enthält, entsorgen



Sie diese nicht mit dem normalen Hausmüll. Geben Sie sie bei einer geeigneten Recycling- oder Sammelstelle ab. Die in Tedee-Geräten verwendeten Batterien enthalten kein Quecksilber, Cadmium oder Blei über den in der Richtlinie 2006/66/EG festgelegten Grenzwerten.

Entsorgung von Elektronik – entsorgen Sie Ihr Tedee-Gerät nicht mit dem normalen Hausmüll. Geben Sie es bei einer geeigneten Recycling- oder Sammelstelle ab.



Bluetooth®

Die Wortmarke und die Logos Bluetooth® sind Eigentum der Bluetooth SIG, Inc. und jegliche Nutzung dieser Marken durch Tedee Sp. z o.o. erfolgt unter Lizenz.

Google

Google, Android und Google Play sind Marken von Google LLC.

Apple

Apple und App Store sind Marken von Apple Inc. iOS ist eine Marke oder eingetragene Marke von Cisco in den USA und anderen Ländern und wird unter Lizenz verwendet.

tedee® ist eine eingetragene Marke von Tedee Sp. z o.o. Copyright (C) 2022. Alle Rechte vorbehalten.

Andere Marken und Handelsnamen sind Eigentum ihrer jeweiligen Inhaber.

Garantie

Begrenzte Hardwaregarantie von Tedee

Tedee Sp. z o.o. garantiert, dass Tedee-Geräte für einen Zeitraum von mindestens 24

2 Jahren ab dem Datum des ersten Einzelhandelskaufs frei von Hardwarefehlern in Material und Verarbeitung sind.

Tedee Sp. z o.o. übernimmt keine Verantwortung für den Missbrauch von Geräten (einschließlich anderer als der in dieser Broschüre beschriebenen Ladearten), insbesondere wenn der Benutzer Änderungen oder Modifikationen an der Hardware oder Software des Geräts vorgenommen hat, die nicht von Tedee genehmigt, empfohlen oder bereitgestellt wurden.

Vollständige Garantieinformationen sind verfügbar unter: www.tedee.com/warranty, an der auf der Verpackung angegebenen Adresse des Hersteller-Hauptsitzes sowie unter: support@tedee.com.

Technischer Support

E-Mail: support@tedee.com

Website: www.tedee.com/support

Telefon: (+48) 22 307 72 67

Öffnungszeiten: 8:00 – 16:00 (CET)

Postanschrift: Tedee Sp. z o.o., Karola Bohdanowicza 21/57, 02-127 Warsaw, Poland

EL: Πληροφορίες ασφαλείας

ΠΡΟΕΙΔΟΠΟΙΗΣΗ: Διαβάστε όλες τις οδηγίες και προειδοποιήσεις ασφαλείας. Η μη τήρηση των οδηγιών και προειδοποιήσεων μπορεί να οδηγήσει σε ηλεκτροπληξία, πυρκαγιά και/ή σοβαρό τραυματισμό.

Φυλάξτε αυτές τις οδηγίες για μελλοντική χρήση.

Για πρόσβαση στην πιο πρόσφατη, ενημερωμένη έκδοση αυτών των οδηγιών επισκεφθείτε: <https://tedee.com/support>





ΠΡΟΕΙΔΟΠΟΙΗΣΗ: Συνδέετε τη συσκευή μόνο σύμφωνα με τις οδηγίες που παρέχονται σε αυτό το χειρίδιο.

Οι λανθασμένες συνδέσεις μπορεί να προκαλέσουν πυρκαγιά ή ηλεκτροπληξία, να προκαλέσουν ζημιά στη συσκευή και να ακυρώσουν την εγγύηση του προϊόντος. Σε περίπτωση αμφιβολίας, επικοινωνήστε με έναν εξειδικευμένο ηλεκτρολόγο για υποστήριξη ή με τον κατασκευαστή.

ΚΙΝΔΥΝΟΣ! ΚΙΝΔΥΝΟΣ ΗΛΕΚΤΡΟΠΛΗΞΙΑΣ!

ΜΗΝ αγγίζετε τις εξόδους της εγκατάστασής σας χωρίς κατάλληλη μόνωση (π.χ. λαστιχένια γάντια). Ακόμη και όταν η συσκευή είναι απενεργοποιημένη, οι εξόδοι μπορεί να εξακολουθούν να είναι υπό τάση (να μεταφέρουν ενεργά ηλεκτρικό ρεύμα). Όλες οι εργασίες εγκατάστασης πρέπει **ΠΑΝΤΑ** να εκτελούνται με το κύκλωμα τροφοδοσίας αποσυνδεδεμένο.

ΠΟΤΕ μην συνδέετε τη συσκευή απευθείας σε ηλεκτρική πρίζα ή σε τροφοδοτικό 230V/110V. Υψηλός κίνδυνος ηλεκτροπληξίας και/ή πυρκαγιάς.

Μην

Μην ανοίγετε, τροποποιείτε ή αποσυναρμολογείτε τη συσκευή ή τα εξαρτήματά της.

Μην πραγματοποιείτε μόνοι σας επισκευές/σέρβις σε οποιοδήποτε μέρος της συσκευής. Αν απαιτούνται επισκευές, επικοινωνήστε με την τεχνική υποστήριξη της Tedee στη διεύθυνση: <https://tedee.com/>

Μην βυθίζετε τη συσκευή σε οποιοδήποτε υγρό ή νερό και μην την εκθέτετε σε υγρασία.

Μην χρησιμοποιείτε τη συσκευή κοντά σε πηγές ακραίας θερμότητας (όπως καλοριφέρ ή τζάκι/καμινάδα), πηγές ψύχους, ανοιχτή φλόγα ή άλλες ακραίες συνθήκες.

Μην χρησιμοποιείτε τη συσκευή σε περιβάλλον με υψηλή υγρασία ή υψηλά επίπεδα σκόνης, καθώς και σε περιβάλλον με υψηλή ατμοσφαιρική ρύπανση. Χρησιμοποιείτε τη συσκευή μόνο σε εσωτερικούς χώρους.

Μην εισάγετε μεταλλικά αντικείμενα σε ανοίγματα και σχισμές της συσκευής, εκτός από τα άκρα των καλωδίων που συνδέονται σύμφωνα με τις οδηγίες.

Μην χειρίζεστε οποιοδήποτε μέρος της συσκευής ή των εξαρτημάτων της με βρεγμένα χέρια.

Μην ασκείτε πίεση στα καλώδια κατά τη σύνδεση της συσκευής πέρα από ό,τι ορίζεται από τον κατασκευαστή, για να αποφευχθεί ζημιά ή παραμόρφωση.

Μην προσπαθείτε να αφαιρέσετε με δύναμη τα καλώδια από τις υποδοχές τους. Σε περίπτωση προβλήματος, επικοινωνήστε με την υποστήριξη της Tedee.

Μην αφαιρείτε τη μόνωση από τα καλώδια, εκτός από τα άκρα που χρησιμοποιούνται στις υποδοχές της συσκευής.

Μην εγκαθιστάτε τη συσκευή σε σημείο προσβάσιμο από παιδιά ή ζώα, εφόσον είναι δυνατόν.

Αν ένα ζώο ή παιδί προκαλέσει ζημιά στην ακεραιότητα της συσκευής (π.χ. σπάσει το περίβλημα), σταματήστε να χρησιμοποιείτε τη συσκευή και επικοινωνήστε με την τεχνική υποστήριξη της Tedee.

Η συσκευή δεν πρέπει να χρησιμοποιείται από παιδιά κάτω των 13 ετών χωρίς επίβλεψη ενήλικα.

Μην κοινοποιείτε τα στοιχεία σύνδεσης της εφαρμογής Tedee και μην παρέχετε απομακρυσμένη πρόσβαση στον χώρο σας σε μη εξουσιοδοτημένα άτομα. Ο κατασκευαστής δεν φέρει ευθύνη για ζημιάς που προκύπτουν από την παροχή πρόσβασης σε μη εξουσιοδοτημένα άτομα.

ΠΡΟΕΙΔΟΠΟΙΗΣΗ: Το Tedee Dry Contact ενδέχεται να υποστεί τεχνική βλάβη και να μην μπορεί να ανοίξει την κλειδαριά της πόρτας σας. Έχετε πάντα μαζί σας το smartphone και το κλειδί της κλειδαριάς ή αφήστε τα σε εύκολα προσβάσιμο σημείο, ώστε η πόρτα να μπορεί να ξεκλειδωθεί χειροκίνητα σε περίπτωση τέτοιου σφάλματος της συσκευής.

Κάντε





Ακολουθήστε προσεκτικά το εγχειρίδιο εγκατάστασης και τις προφυλάξεις ασφαλείας. Σε περίπτωση αμφιβολίας, επικοινωνήστε με την τεχνική υποστήριξη της Tedee.

Αν απαιτούνται επισκευές, επικοινωνήστε με την τεχνική υποστήριξη της Tedee.

Χρησιμοποιείτε μόνο την τάση τροφοδοσίας που έχει καθοριστεί από την Tedee. Διαφορετικά μπορεί να προκληθεί ζημιά στη συσκευή, η οποία δεν καλύπτεται από την εγγύηση.

Άλλες πληροφορίες

Η μη τήρηση των συστάσεων που περιλαμβάνονται σε αυτό το εγχειρίδιο μπορεί να είναι επικίνδυνη ή να οδηγήσει σε παραβίαση του νόμου. Ο κατασκευαστής δεν είναι υπεύθυνος για οποιαδήποτε απώλεια ή ζημιά που προκύπτει από τη μη τήρηση αυτών των οδηγιών.

Η συσκευή είναι ασφαλής στη χρήση υπό κανονική λειτουργία και υπό εύλογα προβλέψιμη κακή χρήση. Αν παρατηρήσετε οποιαδήποτε ένδειξη σφάλματος ή δυσλειτουργίας υλικού, επικοινωνήστε με την τεχνική υποστήριξη της Tedee. Σε τέτοια περίπτωση, η συσκευή πρέπει να επιστραφεί στην Tedee για τις απαραίτητες επισκευές σύμφωνα με τους όρους εγγύησης. Οποιοσδήποτε αλλαγές ή τροποποιήσεις στο υλικό ή στο λογισμικό της συσκευής που δεν έχουν εγκριθεί, συστηθεί ή παρασχεθεί από την Tedee μπορεί να ακυρώσουν την εγγύηση.

Η συσκευή απαιτεί πηγή τροφοδοσίας και σύνδεση Bluetooth® για σωστή λειτουργία. Για σύζευξη της συσκευής με το Tedee Bridge απαιτείται σύνδεση στο διαδίκτυο για χρήση ορισμένων λειτουργιών της συσκευής. Ο κατασκευαστής δεν είναι υπεύθυνος για πιθανά προβλήματα πρόσβασης στον χώρο λόγω έλλειψης διαδικτύου ή λόγω βλάβης ή εξάντλησης της πηγής τροφοδοσίας.

Η συσκευή δεν προορίζεται για χρήση ως μέρος συστήματος οικιακής ασφάλειας. Ο κατασκευαστής δεν δηλώνει ιδιότητες αντικλεπτικής/αντιδιαρρηκτικής προστασίας ούτε βεβαιώσεις, πιστοποιητικά ή κλάσεις αντιδιαρρηκτικής προστασίας για τη συσκευή. Ο κατασκευαστής δεν φέρει ευθύνη για τυχόν ζημιές/τραυματισμούς λόγω κλοπής, διάρρηξης ή εισβολής που προκύπτουν από ζημιά, υπερνίκηση ή μη εξουσιοδοτημένο έλεγχο της συσκευής.

26

Η συσκευή μπορεί να απαιτεί την αγορά πρόσθετων προϊόντων για να ενεργοποιηθούν ορισμένες λειτουργίες της. Σε περίπτωση αμφιβολίας, επικοινωνήστε με την υποστήριξη της Tedee.

Η σύνδεση της συσκευής σε τροφοδοτικό που δεν πληροί τις προδιαγραφές των EN 50081-1, EN 50082-1, UL508 και EN 60950 μπορεί να ακυρώσει την εγγύηση.

Συντήρηση

Αποσυνδέστε το προϊόν από την τροφοδοσία πριν από τον καθαρισμό. Μην χρησιμοποιείτε λιπαντικά, καθαριστικά, γυαλιστικά ή αποσμητικά χώρου σε οποιοδήποτε μέρος της συσκευής. Σκουπίστε μόνο με στεγνό πανί.

Μη χρησιμοποιείτε ποτέ κατεστραμμένα καλώδια κατά τη σύνδεση της συσκευής.

Μην επιχειρείτε να αποσυναρμολογήσετε το καλώδιο, καθώς αυτό μπορεί να σας εκθέσει σε κίνδυνο ηλεκτροπληξίας.

Τεχνικές πληροφορίες

Προδιαγραφές συσκευής

Διαστάσεις: 44,5 × 57,5 × 16 mm

Τάση τροφοδοσίας: 5–60V DC

Αριθμός εισόδων: 2

Τύπος εισόδων: Normally Open (κανονικά ανοικτές)

Αριθμός εξόδων: 2

Τύπος εξόδων: Normally Open (κανονικά ανοικτές)

Υλικό περιβλήματος: PC+ABS

Επικοινωνία Bluetooth: BLE 5.2, 2,4GHz

Θερμοκρασία λειτουργίας: 0–60°C

Υγρασία λειτουργίας: 0–90%





Συμβατό με συσκευές Tedee: Tedee PRO, Tedee GO2, Tedee GO, Tedee Bridge

Νομικές / Περιβαλλοντικές σημειώσεις



Δήλωση συμμόρφωσης ΕΕ

Η Tedee Sp. z o.o. δηλώνει ότι η ραδιοσυσκευή Tedee Dry Contact TDCV1.0 συμμορφώνεται με την Οδηγία 2014/53/ΕΕ. Το πλήρες κείμενο της Δήλωσης Συμμόρφωσης ΕΕ είναι διαθέσιμο στην ακόλουθη διεύθυνση: <https://tedee.com/compliance>



Η συσκευή φέρει το σύμβολο του διαγραμμένου κάδου απορριμμάτων με ρόδες – δεν πρέπει να απορρίπτεται με τα δημοτικά απορρίμματα.

Ο χρησιμοποιημένος εξοπλισμός πρέπει να παραδίδεται σε εξουσιοδοτημένο σημείο συλλογής για ηλεκτρικά και ηλεκτρονικά απόβλητα (WEEE).

WEEE / RoHS

Για να αποτρέψετε πιθανές αρνητικές επιπτώσεις στο περιβάλλον, συμβουλευτείτε τους τοπικούς νόμους και κανονισμούς για τη σωστή απόρριψη ηλεκτρονικών συσκευών και μπαταριών στη χώρα σας.

Απόρριψη μπαταριών – αν η συσκευή Tedee περιέχει μπαταρίες, μην τις απορρίπτετε με τα κοινά οικιακά απορρίμματα. Παραδώστε τις σε κατάλληλο σημείο ανακύκλωσης ή συλλογής. Οι μπαταρίες που χρησιμοποιούνται στις συσκευές Tedee

δεν περιέχουν υδράργυρο, κάδμιο ή μόλυβδο πάνω από τα επίπεδα που ορίζονται στην Οδηγία 2006/66/ΕΚ.

Απόρριψη ηλεκτρονικών – μην απορρίπτετε τη συσκευή Tedee με τα κοινά οικιακά απορρίμματα. Παραδώστε την σε κατάλληλο σημείο ανακύκλωσης ή συλλογής.



Bluetooth®

Το λεκτικό σήμα και τα λογότυπα Bluetooth® ανήκουν στην Bluetooth SIG, Inc. και οποιαδήποτε χρήση αυτών των σημάτων από την Tedee Sp. z o.o. γίνεται κατόπιν άδειας.

Google

Τα Google, Android και Google Play είναι εμπορικά σήματα της Google LLC.

Apple

Τα Apple και App Store είναι εμπορικά σήματα της Apple Inc. Το iOS είναι εμπορικό σήμα ή καταχωρισμένο εμπορικό σήμα της Cisco στις Η.Π.Α. και σε άλλες χώρες και χρησιμοποιείται κατόπιν άδειας.

Το tedee® είναι καταχωρισμένο εμπορικό σήμα της Tedee Sp. z o.o. Πνευματικά δικαιώματα (C) 2022. Με επιφύλαξη παντός δικαιώματος.

Άλλα εμπορικά σήματα και εμπορικές ονομασίες ανήκουν στους αντίστοιχους κατόχους τους.

Εγγύηση

Περιορισμένη εγγύηση υλικού Tedee

Η Tedee Sp. z o.o. εγγυάται ότι οι συσκευές Tedee δεν παρουσιάζουν ελαττώματα





υλικού στα υλικά και στην κατασκευή για περίοδο όχι μικρότερη από 2 έτη από την ημερομηνία της πρώτης αγοράς λιανικής.

Η Tedee Sp. z o.o. δεν αναλαμβάνει ευθύνη για κακή χρήση των συσκευών (συμπεριλαμβανομένων μεθόδων φόρτισης πέραν αυτών που περιγράφονται στο παρόν έντυπο), ειδικά εάν ο χρήστης έχει προβεί σε αλλαγές ή τροποποιήσεις στο υλικό ή στο λογισμικό της συσκευής που δεν έχουν εγκριθεί, συστηθεί ή παρασχεθεί από την Tedee.

Πλήρεις πληροφορίες εγγύησης είναι διαθέσιμες στο: www.tedee.com/warranty, στη διεύθυνση των κεντρικών γραφείων του κατασκευαστή που αναγράφεται στη συσκευασία και στο: support@tedee.com.

Τεχνική υποστήριξη

E-mail: support@tedee.com

Ιστότοπος: www.tedee.com/support

Τηλέφωνο: (+48) 22 307 72 67

Ώρες λειτουργίας: 8:00 – 16:00 (CET)

Ταχυδρομική διεύθυνση: Tedee Sp. z o.o., Karola Bohdanowicza 21/57, 02-127 Warsaw, Πολωνία

ES: Información de seguridad

ADVERTENCIA: Lea todas las directrices y advertencias de seguridad. El incumplimiento de las directrices y advertencias puede provocar descarga eléctrica, incendio y/o lesiones graves.

Conserve estas instrucciones para uso futuro.

Para acceder a la versión más reciente y actualizada de estas instrucciones, visite: <https://tedee.com/support>

28

ADVERTENCIA: Conecte el dispositivo únicamente de acuerdo con las instrucciones proporcionadas en este manual.

Las conexiones incorrectas pueden provocar incendio o descarga eléctrica, dañar el dispositivo y anular la garantía del producto. En caso de duda, póngase en contacto con un electricista cualificado o con el fabricante.

¡PELIGRO! ¡RIESGO DE DESCARGA ELÉCTRICA!

NO toque las salidas de su instalación sin el aislamiento adecuado (p. ej., guantes de goma). Incluso cuando el dispositivo está apagado, las salidas pueden seguir estando bajo tensión (transmitiendo electricidad activamente). Todo el trabajo de instalación debe realizarse **SIEMPRE** con el circuito de alimentación desconectado.

NUNCA conecte el dispositivo directamente a una toma de corriente eléctrica ni a una fuente de alimentación de 230V/110V. Alto riesgo de electrocución y/o incendio.

No

No abra, modifique ni desmonte el dispositivo ni sus accesorios.

No realice usted mismo el mantenimiento de ninguna parte del dispositivo. Si se requieren reparaciones, póngase en contacto con el soporte técnico de Tedee en: <https://tedee.com/>

No sumerja el dispositivo en ningún líquido o agua ni lo exponga a la humedad.



No utilice el dispositivo cerca de fuentes de calor extremo (como un radiador o una chimenea), fuentes de frío, fuego abierto u otras condiciones extremas.

No utilice el dispositivo en un entorno con alta humedad o altos niveles de polvo, así como con alta contaminación del aire. Use el dispositivo únicamente en interiores.

No introduzca objetos metálicos en las aberturas y ranuras del dispositivo, excepto los extremos de los cables conectados según las instrucciones.

No manipule ninguna parte del dispositivo ni sus accesorios con las manos mojadas.





No aplique presión a los cables durante la conexión del dispositivo más allá de lo especificado por el fabricante, para evitar daños o deformaciones.

No intente retirar los cables a la fuerza de sus conectores. En caso de problemas, contacte con el soporte de Tedee.

No retire el aislamiento de los cables excepto en los extremos que se utilizan en los conectores del dispositivo.

Si es posible, no instale el dispositivo al alcance de niños o animales.

Si un animal o un niño daña la integridad del dispositivo (por ejemplo, si se rompe la carcasa), deje de usarlo y póngase en contacto con el soporte técnico de Tedee.

El dispositivo no debe ser utilizado por niños menores de 13 años sin la supervisión de un adulto.

No comparta sus credenciales de inicio de sesión de la aplicación Tedee ni conceda acceso remoto a sus instalaciones a personas no autorizadas. El fabricante no será responsable de los daños causados por conceder acceso a personal no autorizado.

ADVERTENCIA: Tedee Dry Contact puede sufrir un fallo técnico, por lo que puede no ser capaz de abrir la cerradura de su puerta. Lleve siempre consigo su smartphone y la llave de la cerradura, o déjelos en un lugar accesible para que la puerta pueda desbloquearse manualmente en caso de un error de este tipo.

Haga


Siga estrictamente el manual de instalación y las precauciones de seguridad. En caso de duda, contacte con el soporte técnico de Tedee.

Si se requieren reparaciones, contacte con el soporte técnico de Tedee.

Utilice únicamente el voltaje de alimentación especificado por Tedee. El incumplimiento puede causar daños en el dispositivo que no están cubiertos por la garantía.

Otra información

No seguir las recomendaciones incluidas en este manual puede ser peligroso o pro-



vocar una infracción de la ley. El fabricante no es responsable de ninguna pérdida o daño derivado de no seguir estas instrucciones.

Este dispositivo es seguro para su uso en condiciones normales y en casos de uso indebido razonablemente previsible. Si observa signos de errores o mal funcionamiento del hardware, contacte con el soporte técnico de Tedee para obtener ayuda. En tal caso, el dispositivo debe devolverse a Tedee para las reparaciones necesarias según las condiciones de garantía. Cualquier cambio o modificación del hardware o del software del dispositivo que no esté aprobado, recomendado o proporcionado por Tedee puede anular su garantía.

Este dispositivo requiere una fuente de alimentación y una conexión Bluetooth® para funcionar correctamente. Para emparejar el dispositivo con Tedee Bridge se requiere una conexión a Internet para utilizar algunas funciones del dispositivo. El fabricante no es responsable de posibles problemas de acceso a la estancia/ propiedad derivados de la falta de acceso a Internet o del fallo o agotamiento de la fuente de alimentación.

Este dispositivo no está destinado a utilizarse como parte de un sistema de seguridad doméstico. El fabricante no declara propiedades antirrobo ni certificaciones, atestaciones o clases de protección antirrobo para el dispositivo. El fabricante no será responsable de posibles daños/lesiones debidos a robo, allanamiento o intrusión derivados de daños, superación o toma de control no autorizada del dispositivo.

Este dispositivo puede requerir la compra de productos adicionales para habilitar algunas de sus funciones. En caso de duda, contacte con el soporte de Tedee.

Conectar el dispositivo a una fuente de alimentación que no cumpla las especificaciones indicadas en EN 50081-1, EN 50082-1, UL508 y EN 60950 puede anular la garantía.

Mantenimiento

Desconecte el producto de la fuente de alimentación antes de limpiarlo. No use lubricantes, agentes de limpieza, abrillantadores ni ambientadores en ninguna parte del dispositivo. Limpie únicamente con un paño seco.



Nunca utilice cables dañados al conectar el dispositivo.

No intente desmontar el cable, ya que esto puede exponerle a una descarga eléctrica.

Información técnica

Especificación del dispositivo

Dimensiones: 44,5 × 57,5 × 16 mm

Voltaje de alimentación: 5–60 V DC

Número de entradas: 2

Tipo de entrada: Normally Open (normalmente abierto)

Número de salidas: 2

Tipo de salida: Normally Open (normalmente abierto)

Material de la carcasa: PC+ABS

Comunicación Bluetooth: BLE 5.2, 2,4 GHz

Temperatura de funcionamiento: 0–60 °C

Humedad de funcionamiento: 0–90 %

Compatible con dispositivos Tedee: Tedee PRO, Tedee GO2, Tedee GO, Tedee Bridge

Notas legales / medioambientales



Declaración de conformidad de la UE
30

Tedee Sp. z o.o. declara que el dispositivo de radio Tedee Dry Contact TDCV1.0 cumple con la Directiva 2014/53/UE. El texto completo de la Declaración de conformidad de la UE está disponible en la siguiente dirección: <https://tedee.com/compliance>



El dispositivo está marcado con el símbolo de un contenedor con ruedas tachado: no debe desecharse con los residuos municipales.

Los equipos usados deben llevarse a un punto de recogida autorizado para residuos de aparatos eléctricos y electrónicos (RAEE/WEEE).

WEEE / RoHS

Para evitar un posible impacto negativo en el medioambiente, consulte las leyes y normativas locales para la correcta eliminación de dispositivos electrónicos y baterías en su país.

Eliminación de baterías: si su dispositivo Tedee contiene baterías, no las deseche con los residuos domésticos habituales. Entréguelas en un punto de reciclaje o recogida adecuado. Las baterías utilizadas en los dispositivos Tedee no contienen mercurio, cadmio ni plomo por encima de los niveles especificados en la Directiva 2006/66/CE.

Eliminación de electrónica: no deseche su dispositivo Tedee con los residuos domésticos habituales. Entréguelo en un punto de reciclaje o recogida adecuado.



Bluetooth®

La marca denominativa y los logotipos de Bluetooth® son propiedad de Bluetooth SIG, Inc., y cualquier uso de dichas marcas por parte de Tedee Sp. z o.o. se realiza bajo licencia.

Google

Google, Android y Google Play son marcas comerciales de Google LLC.

Apple

Apple y App Store son marcas comerciales de Apple Inc. iOS es una marca comercial o marca registrada de Cisco en EE. UU. y otros países, y se utiliza bajo licencia.

tedee® es una marca registrada de Tedee Sp. z o.o. Copyright (C) 2022. Todos los derechos reservados.

Otras marcas y nombres comerciales pertenecen a sus respectivos propietarios.

Garantía

Garantía limitada de hardware de Tedee

Tedee Sp. z o.o. garantiza que los dispositivos Tedee están libres de defectos de hardware en materiales y mano de obra durante un período no inferior a 2 años a partir de la fecha de la primera compra minorista.

Tedee Sp. z o.o. no se responsabiliza del uso indebido de los dispositivos (incluidos métodos de carga distintos de los descritos en este folleto), especialmente si el usuario ha realizado cambios o modificaciones en el hardware o el software del dispositivo que no estén aprobados, recomendados o proporcionados por Tedee.

La información completa de la garantía está disponible en: www.tedee.com/warranty, en la dirección de la sede del fabricante indicada en el embalaje y en: support@tedee.com.

Asistencia técnica

Correo electrónico: support@tedee.com

Sitio web: www.tedee.com/support

Teléfono: (+48) 22 307 72 67

Horario de atención: 8:00 – 16:00 (CET)

Dirección postal: Tedee Sp. z o.o., Karola Bohdanowicza 21/57, 02-127 Warsaw, Polonia

ET: Ohutusteave

HOIATUS: Lugege läbi kõik ohutusjuhised ja hoiatused. Juhiste ja hoiatuste eiramine võib põhjustada elektrilöögi, tulekahju ja/või raskeid vigastusi.

Hoidke need juhised edaspidiseks kasutamiseks alles.

Nende juhiste uusima ja ajakohaseima versiooni leiate siit: <https://tedee.com/support>

HOIATUS: Ühendage seade ainult käesolevas juhendis toodud juhiste kohaselt.

Vale ühendamine võib põhjustada tulekahju või elektrilöögi, kahjustada seadet ja tühistada toote garantii. Kahtluse korral pöörduge abi saamiseks kvalifitseeritud elektrikri või tootja poole.

OHT! ELEKTRILÖÖGI OHT!

ÄRGE puudutage paigalduse väljundeid ilma nõuetekohase isolatsioonita (nt kummikindad). Isegi kui seade on välja lülitatud, võivad väljundid olla endiselt pingestatud (edastada aktiivselt elektrit). Kõik paigaldustööd tuleb **ALATI** teha lahutatud toiteahelaga.

ÄRGE KUNAGI ühendage seadet otse elektripistikupessa ega 230V/110V toiteallikasse. Suur elektrilöögi ja/või tulekahju oht.

Ärge tehke



Ärge avage, muutke ega võtke lahti seadet ega selle tarvikuid.

Ärge teostage ise seadme mis tahes osa hooldust. Kui on vaja remonti, võtke ühendust Tedee tehnilise toega: <https://tedee.com/>

Ärge kastke seadet vedelikku ega vette ning ärge jätke seda niiskuse kätte.

Ärge kasutage seadet äärmusliku kuumuse allika (nt radiaator või korsten), külma allika, lahtise tule või muude äärmuslike tingimuste läheduses.

Ärge kasutage seadet keskkonnas, kus on suur õhuniiskus või palju tolmu, samuti tugeva õhusaaste korral. Kasutage seadet ainult siseruumides.

Ärge sisestage seadme avadesse ja piludesse metallist esemeid, välja arvatud juhiste kohaselt ühendatud kaabliotsad.

Ärge käsitsege seadet ega selle tarvikuid märgade kätega.

Ärge avaldage kaablitele seadme ühendamise ajal suuremat survet, kui tootja on ette näinud, et vältida kahjustusi või deformatsiooni.

Ärge proovige kaableid pesadest jõuga eemaldada. Probleemide korral võtke ühendust Tedee toega.

Ärge eemaldage kaablite isolatsiooni, välja arvatud kaabliotsad, mida kasutatakse seadme pesades.

Ärge paigaldage seadet võimalusel laste või loomade käeulatusse.

Kui loom või laps kahjustab seadme terviklikkust (nt korpus puruneb), lõpetage seadme kasutamine ja võtke ühendust Tedee tehnilise toega.

Seadet ei tohi kasutada alla 13-aastased lapsed ilma täiskasvanu järelevalveta.

Ärge jagage oma Tedee rakenduse sisselogimisandmeid ega andke volitamata isikutele kaugjuurdepääsu oma ruumidele. Tootja ei vastuta kahjude eest, mis on põhjustatud volitamata isikutele juurdepääsu andmisest.

HOIATUS: Tedee Dry Contact võib kogeda tehnilist riket ning seetõttu ei pruugi

32

see olla võimeline teie ukseelukku avama. Kandke alati kaasas oma nutitelefoni ja ukseelukku võit või jätke need kättesaadavasse kohta, et sellise seadme vea korral saaks ukse käsitsi avada.

Tehke

Järgige hoolikalt paigaldusjuhendit ja ohutusabinõusid. Kahtluse korral võtke ühendust Tedee tehnilise toega.

Kui on vaja remonti, võtke ühendust Tedee tehnilise toega.

Kasutage ainult Tedee poolt määratud toitepinget. Nõuete eiramine võib kahjustada seadet ning selline kahjustus ei kuulu garantii alla.

Muu teave

Selles juhendis toodud soovitude mittejärgimine võib olla ohtlik või põhjustada seaduserikkumise. Tootja ei vastuta ühegi kahju ega kaotuse eest, mis tuleneb nende juhiste eiramisest.

Seadet on ohutu kasutada tavapärase kasutuse korral ja mõistlikult ettenähtava väärkasutuse korral. Kui märkate vigu või riistvararikke märke, võtke abi saamiseks ühendust Tedee tehnilise toega. Sellisel juhul tuleb seade saata Tedeele vajalikuks remondiks vastavalt garantiitingimustele. Seadme riistvara või tarkvara mis tahes muudatused või modifikatsioonid, mida Tedee ei ole heaks kiitnud, soovitatakse ega pakkunud, võivad garantii tühistada.

Seade vajab nõuetekohaseks tööks toiteallikat ja Bluetooth®-ühendust. Seadme sidumiseks Tedee Bridge'iga on internetiühendus vajalik mõne seadme funktsiooni kasutamiseks. Tootja ei vastuta võimalike ruumi/objekti ligipääsuprobleemide eest, mis tulenevad interneti puudumisest või toiteallika rikkest või tühjenemisest/ammendumisest.

Seade ei ole mõeldud kasutamiseks koduse turvasüsteemi osana. Tootja ei deklareeri seadme puhul sissemurdmismastaseid omadusi ega esita selle kohta tõendeid, sertifikaate või sissemurdmiskaitse klasse. Tootja ei vastuta võimalike kahjustuste/vigastuste eest, mis tekivad varguse, sissemurdmise või sissetungi tõttu ning mis



tulenevad seadme kahjustamisest, selle ületamisest või seadme üle volitamata kontrolli saavutamisest.

Seade võib mõne funktsiooni kasutamiseks vajada täiendavate toodete ostmist. Kahtluse korral võtke ühendust Tedee toega.

Seadme ühendamine toiteallikaga, mis ei vasta standardites EN 50081-1, EN 50082-1, UL508 ja EN 60950 toodud nõuetele, võib tühistada garantii.

Hoolidus

Enne puhastamist ühendage toode toiteallikast lahti. Ärge kasutage seadme ühelgi osal määrdeaineid, puhastusvahendeid, poleerimisvahendeid ega õhuvärskendajaid. Pühkige ainult kuiva lapiga.

Ärge kasutage seadme ühendamisel kunagi kahjustatud kaableid.

Ärge püüdke kaablit lahti võtta, sest see võib teid elektrilöögi ohtu seada.

Tehniline teave

Seadme spetsifikatsioon

Mõõtmed: 44,5 × 57,5 × 16 mm

Toitepinge: 5–60 V DC

Sisendite arv: 2

Sisendi tüüp: Normally Open (tavaliselt avatud)

Väljundite arv: 2

Väljundi tüüp: Normally Open (tavaliselt avatud)

Korpuse materjal: PC+ABS

Bluetooth-side: BLE 5.2, 2,4 GHz

Töötemperatuur: 0–60 °C

Tööniiskus: 0–90%

Ühilduvus Tedee seadmetega: Tedee PRO, Tedee GO2, Tedee GO, Tedee Bridge

Õiguslikud / keskkonnavalased märkused



ELi vastavusdeklaratsioon

Tedee Sp. z o.o. kinnitab, et raadioseade Tedee Dry Contact TDCV1.0 vastab direktiivile 2014/53/EL. ELi vastavusdeklaratsiooni täielik tekst on kättesaadav järgmisel internetiaadressil: <https://tedee.com/compliance>



Seade on märgistatud läbikriipsutatud ratasel prügikasti sümboliga – seda ei tohi kõrvaldada koos olmejäätmetega.

Kasutatud seade tuleb viia elektri- ja elektroonikajäätmete (WEEE) volitatud kogumispunkti.

WEEE / RoHS

Võimaliku negatiivse keskkonnamõju vältimiseks tutvuge oma riigi kohalike seaduste ja määrustega elektroonikaseadmete ja patareide nõuetekohase kõrvaldamise kohta.

Patareide kõrvaldamine – kui teie Tedee seade sisaldab patareisid, ärge visake neid olmeprügi hulka. Andke need üle sobivasse ringlussevõtu- või kogumispunkti. Tedee



seadmetes kasutatavad patareid ei sisalda elavhõbedat, kaadmiumi ega pliid üle direktiivis 2006/66/EÜ määratud tasemetele.

Elektronika kõrvaldamine – ärge visake Tedee seadet olmeprügi hulka. Andke see üle sobivasse ringlussevõtu- või kogumispunkti.



Bluetooth®

Bluetooth®-i sõnamärk ja logod kuuluvad ettevõttele Bluetooth SIG, Inc. ning Tedee Sp. z o.o. kasutab neid märke litsentsi alusel.

Google

Google, Android ja Google Play on ettevõtte Google LLC kaubamärgid.

Apple

Apple ja App Store on ettevõtte Apple Inc. kaubamärgid. iOS on Cisco kaubamärk või registreeritud kaubamärk USA-s ja teistes riikides ning seda kasutatakse litsentsi alusel.

tedee® on ettevõtte Tedee Sp. z o.o. registreeritud kaubamärk. Autoriõigus (C) 2022. Kõik õigused kaitstud.

Teised kaubamärgid ja ärinimed kuuluvad nende vastavatele omanikele.

Garantii

Tedee piiratud riistvaragarantii

Tedee Sp. z o.o. garanteerib, et Tedee seadmetel ei esine materjali- ega tootmisdefekte vähemalt 2 aasta jooksul alates esimesest jaemüügist ostmise kuupäevast.

34

Tedee Sp. z o.o. ei vastuta seadmete väärkasutuse eest (sh laadimisviisid, mis erinevad selles brošüüris kirjeldatutest), eriti juhul, kui kasutaja on teinud seadme riistvaras või tarkvaras muudatusi või modifikatsioone, mida Tedee ei ole heaks kiitnud, soovitanud ega pakkunud.

Täielik garantiiteave on kättesaadav aadressil: www.tedee.com/warranty, tootja peakontori aadressil, mis on märgitud pakendil, ning e-posti aadressil: support@tedee.com.

Tehniline tugi

E-post: support@tedee.com

Veebileht: www.tedee.com/support

Telefon: (+48) 22 307 72 67

Lahtiolekuajad: 8:00 – 16:00 (CET)

Postiaadress: Tedee Sp. z o.o., Karola Bohdanowicza 21/57, 02-127 Varssavi, Poola

FI: Turvallsuustiedot

VAROITUS: Lue kaikki turvallisuusohjeet ja varoitukset. Ohjeiden ja varoitusten noudattamatta jättäminen voi aiheuttaa sähköiskun, tulipalon ja/tai vakavan vamman.

Säilytä nämä ohjeet myöhempää käyttöä varten.

Uusimman, ajantasaisen version näistä ohjeista löydät osoitteesta: <https://tedee.com/support>

VAROITUS: Kytke laite vain tämän oppaan ohjeiden mukaisesti.

Virheelliset kytkennät voivat aiheuttaa tulipalon tai sähköiskun, vahingoittaa laitetta ja mitätöidä tuotetakuun. Jos olet epävarma, ota yhteyttä pätevään sähköasentajaan tai valmistajaan.

VAARA! SÄHKÖISKUN VAARA!



ÄLÄ kosketa asennuksesi lähtöjä ilman asianmukaista eristystä (esim. kumikäsineet). Vaikka laite olisi sammutettu, lähdöt voivat silti olla jännitteellisiä (johtaa sähköä aktiivisesti). Kaikki asennustyöt on **AINA** tehtävä, kun virtapiiri on irtikytetty.

ÄLÄ KOSKAAN kytkä laitetta suoraan pistorasiaan tai 230V/110V virtalähteeseen. Korkea sähköiskun ja/tai tulipalon riski.

Älä tee

Älä avaa, muokkaa tai pura laitetta tai sen lisävarusteita.

Älä huolla mitään laitteen osaa itse. Jos laite tarvitsee korjausta, ota yhteyttä Tedee-tekniiseen tukeen: <https://tedee.com/>

Älä upota laitetta mihinkään nesteeseen tai veteen äläkä altista sitä kosteudelle.

Älä käytä laitetta äärimmäisen kuumuuden lähteen (kuten patterin tai savupiipun), kylmyyden lähteen, avotulen tai muiden äärimmäisten olosuhteiden läheisyydessä.

Älä käytä laitetta ympäristössä, jossa on korkea kosteus tai paljon pölyä, tai jossa ilmansaasteet ovat korkeita. Käytä laitetta vain sisätiloissa.

Älä työnnä metalliesineitä laitteen aukkoihin tai rakoihin, lukuun ottamatta ohjeiden mukaisesti kytkettyjen kaapelien päitä.

Älä käsittele mitään laitteen osaa tai lisävarusteita märin käsin.

Älä kohdista kaapeleihin painetta laitteen kytkennän aikana enempää kuin valmistaja sallii, jotta vältetään vauriot tai muodonmuutokset.

Älä yritä irrottaa kaapeleita väkisin liittimistään. Ongelmatilanteissa ota yhteyttä Tedee-tukeen.

Älä poista kaapeleiden eristystä muualta kuin kaapelin päistä, joita käytetään laitteen liittimissä.

Älä asenna laitetta lasten tai eläinten ulottuville, jos mahdollista.

Jos eläin tai lapsi vahingoittaa laitteen eheyttä (esim. kotelo rikkoutuu), lopeta

laitteen käyttö ja ota yhteyttä Tedee-tekniiseen tukeen.

Aalle 13-vuotiaat lapset eivät saa käyttää laitetta ilman aikuisen valvontaa.

Älä jaa Tedee-sovelluksen kirjautumistietojasi tai myönnä etäkäyttöoikeutta tiloihisi luvattomille henkilöille. Valmistaja ei vastaa vahingoista, jotka aiheutuvat luvattomille henkilöille annettusta pääsystä.

VAROITUS: Tedee Dry Contact -laitteessa voi ilmetä tekninen vika, jolloin se ei ehkä pysty avaamaan oven lukkoa. Pidä aina älypuhelimesi ja oven avain mukanasasi tai säilytä niitä helposti saatavilla, jotta ovi voidaan avata käsin laitteen virhetilanteessa.

Tee

Noudata asennusopasta ja turvallisuusohjeita tarkasti. Jos olet epävarma, ota yhteyttä Tedee-tekniiseen tukeen.

Jos korjauksia tarvitaan, ota yhteyttä Tedee-tekniiseen tukeen.

Käytä vain Tedee:n määrittämää syöttöjännitettä. Ohjeiden noudattamatta jättäminen voi vahingoittaa laitetta, eikä vahinko kuulu takuun piiriin.

Muut tiedot

Tässä oppaassa annettujen suositusten noudattamatta jättäminen voi olla vaarallista tai aiheuttaa lain rikkomisen. Valmistaja ei vastaa mistään menetyksistä tai vahingoista, jotka johtuvat näiden ohjeiden noudattamatta jättämisestä.

Laite on turvallinen normaalissa käytössä sekä kohtuudella ennakoitavassa väärinkäytössä. Jos havaitset virheiden merkkejä tai laitteistovian, ota yhteyttä Tedee-tekniiseen tukeen. Tällöin laite tulee palauttaa Tedee:lle tarvittavia korjauksia varten takuun ehtojen mukaisesti. Laitteen laitteistoon tai ohjelmistoon tehtävät muutokset tai muokkaukset, joita Tedee ei ole hyväksynyt, suositellut tai toimittanut, voivat mitätöidä takuun.

Laite tarvitsee virtalähteen ja Bluetooth®-yhteyden toimiakseen oikein. Laitteen parittaminen Tedee Bridge -laitteen kanssa edellyttää internet-yhteyttä joidenkin ominaisuuksien käyttämiseksi. Valmistaja ei vastaa mahdollisista tiloihin pääsystä



liittyvistä ongelmista, jotka johtuvat internet-yhteyden puutteesta tai virtalähteen viasta tai tyhjenemisestä.

Tätä laitetta ei ole tarkoitettu käytettäväksi osana kodin turvajärjestelmää. Valmistaja ei ilmoita laitteelle murto-ominaisuuksia tai -todistuksia, sertifikaatteja tai turtojärjestelmän suojausluokkia. Valmistaja ei vastaa mahdollisista vahingoista/vammoista, jotka johtuvat varkaudesta, murrosta tai tunkeutumisesta, ja jotka aiheutuvat laitteen vahingoittamisesta, ohittamisesta tai luvattomasta hallinnan saamisesta.

Laitte voi vaatia lisätuotteiden hankintaa joidenkin ominaisuuksien käyttöön ottamiseksi. Jos olet epävarma, ota yhteyttä Tedee-tukeen.

Laitteen kytkeminen virtalähteeseen, joka ei täytä standardeissa EN 50081-1, EN 50082-1, UL508 ja EN 60950 esitettyjä vaatimuksia, voi mitätöidä takuun.

Huolto

Irrota tuote virtalähteestä ennen puhdistusta. Älä käytä voiteluaineita, puhdistusaineita, kiillotusaineita tai ilmanraikastimia laitteen missään osassa. Pyyhi vain kuivalla liinalla.

Älä koskaan käytä vaurioituneita kaapeleita laitteen kytkemisessä.

Älä yritä purkaa kaapelia, sillä se voi altistaa sinut sähköiskulle.

Tekniset tiedot

Laitteen tekniset tiedot

Mitat: 44,5 × 57,5 × 16 mm

Syöttöjännite: 5–60 V DC

Tulojen määrä: 2

Tulon tyyppi: Normally Open (normaalisti auki)

Lähtöjen määrä: 2

Lähdön tyyppi: Normally Open (normaalisti auki)

36

Rungon materiaali: PC+ABS

Bluetooth-yhteys: BLE 5.2, 2,4 GHz

Käyttölämpötila: 0–60 °C

Käyttökosteus: 0–90 %

Yhteensopiva Tedee-laitteiden kanssa: Tedee PRO, Tedee GO2, Tedee GO, Tedee Bridge

Oikeudelliset / ympäristöhuomiot



EU-vaatimustenmukaisuusvakuutus

Tedee Sp. z o.o. vakuuttaa, että Tedee Dry Contact TDCV1.0 -radiolaitte on direktiivin 2014/53/EU mukainen. EU-vaatimustenmukaisuusvakuutuksen täydellinen teksti on saatavilla osoitteessa: <https://tedee.com/compliance>



Laitte on merkitty yliviivatun jätteen symbolilla – sitä ei saa hävittää yhdyskuntajätteen mukana.

Käytetty laite tulee toimittaa valtuutettuun sähkö- ja elektroniikkaromun (WEEE) keräyspisteeseen.

WEEE / RoHS





Mahdollisten ympäristöhaittojen ehkäisemiseksi tutustu maasi paikallisiin lakeihin ja määräyksiin elektronisten laitteiden ja paristojen asianmukaisesta hävittämisestä.

Paristojen hävittäminen – jos Tedee-laitteesi sisältää paristoja, älä hävitä niitä tavallisen kotitalousjätteen mukana. Toimita ne asianmukaiseen kierrätys- tai keräyspisteeseen. Tedee-laitteissa käytettävät paristot eivät sisällä elohopeaa, kadmiumia tai lyijyä yli direktiivissä 2006/66/EY määriteltyjen tasojen.

Elektroniikan hävittäminen – älä hävitä Tedee-laitetta tavallisen kotitalousjätteen mukana. Toimita se asianmukaiseen kierrätys- tai keräyspisteeseen.

Bluetooth®

Bluetooth®-sanamerkki ja -logot ovat Bluetooth SIG, Inc.:n omaisuutta, ja Tedee Sp. z o.o. käyttää näitä merkkejä lisenssillä.

Google

Google, Android ja Google Play ovat Google LLC:n tavaramerkkejä.

Apple

Apple ja App Store ovat Apple Inc.:n tavaramerkkejä. iOS on Cisco'n tavaramerkki tai rekisteröity tavaramerkki Yhdysvalloissa ja muissa maissa, ja sitä käytetään lisenssillä.

tedee® on Tedee Sp. z o.o.:n rekisteröity tavaramerkki. Copyright (C) 2022. Kaikki oikeudet pidätetään.

Muut tavaramerkit ja tuotenimet ovat niiden omistajien omaisuutta.

Takuu

Tedee:n rajoitettu laitteistotakuu

Tedee Sp. z o.o. takaa, että Tedee-laitteissa ei ole materiaali- tai valmistusvirheistä johtuvia laitteistovikoja vähintään 2 vuoden ajan ensimmäisestä vähittäisostopäivästä lukien.

Tedee Sp. z o.o. ei vastaa laitteiden väärinkäytöstä (mukaan lukien muut latausmenetelmät kuin tässä oppaassa kuvatut), erityisesti jos käyttäjä on tehnyt laitteiston tai ohjelmiston muutoksia tai muokkauksia, joita Tedee ei ole hyväksynyt, suositellut tai toimittanut.

Täydelliset takuehdot ovat saatavilla osoitteessa: www.tedee.com/warranty, valmistajan pääkonttorin osoitteessa (merkitty pakkaukseen) sekä osoitteessa: support@tedee.com.

Tekninen tuki

Sähköposti: support@tedee.com

Verkkosivusto: www.tedee.com/support

Puhelin: (+48) 22 307 72 67, 8:00–16:00 (CET)

Postiosoite: Tedee Sp. z o.o., Karola Bohdanowicza 21/57, 02-127 Warsaw, Puola

FR: Informations de sécurité

AVERTISSEMENT : Lisez toutes les consignes et avertissements de sécurité. Le non-respect des consignes et avertissements peut entraîner une électrocution, un incendie et/ou des blessures graves.

Conservez ces instructions pour une utilisation ultérieure.

Pour accéder à la version la plus récente et à jour de ces instructions, rendez-vous sur : <https://tedee.com/support>

AVERTISSEMENT : Connectez l'appareil uniquement conformément aux instructions fournies dans ce manuel.

Des connexions incorrectes peuvent provoquer un incendie ou une électrocution, endommager l'appareil et annuler la garantie du produit. En cas de doute, contactez un électricien qualifié ou le fabricant.





DANGER ! RISQUE D'ÉLECTROCUTION !

NE touchez **PAS** les sorties de votre installation sans isolation appropriée (p. ex. gants en caoutchouc). Même lorsque l'appareil est éteint, les sorties peuvent encore être sous tension (transmettre activement de l'électricité). Tous les travaux d'installation doivent **TOUJOURS** être effectués avec le circuit d'alimentation déconnecté.

NE branchez **JAMAIS** l'appareil directement sur une prise électrique ou sur une alimentation 230V/110V. Risque élevé d'électrocution et/ou d'incendie.

Ne pas

N'ouvrez pas, ne modifiez pas et ne démontez pas votre appareil ni ses accessoires.

N'effectuez aucune réparation/maintenance vous-même sur une partie de l'appareil. Si des réparations sont nécessaires, contactez le support technique Tedee à l'adresse : <https://tedee.com/>

N'immergez pas l'appareil dans un liquide ou dans l'eau et ne l'exposez pas à l'humidité.

N'utilisez pas l'appareil à proximité d'une source de chaleur extrême (telle qu'un radiateur ou une cheminée), d'une source de froid, d'un feu ouvert ou d'autres conditions extrêmes.

N'utilisez pas l'appareil dans un environnement très humide ou très poussiéreux, ni en présence d'une forte pollution de l'air. Utilisez l'appareil uniquement à l'intérieur.

N'insérez aucun objet métallique dans les ouvertures et fentes de l'appareil, sauf les extrémités des câbles connectés conformément aux instructions.

Ne manipulez aucune partie de l'appareil ou de ses accessoires avec les mains mouillées.

N'exercez pas de pression sur les câbles lors de la connexion de l'appareil au-delà de ce qui est spécifié par le fabricant, afin d'éviter tout dommage ou déformation.

N'essayez pas de retirer les câbles de leurs prises en forçant. En cas de problème,

38

contactez le support Tedee.

Ne retirez pas l'isolation des câbles, sauf aux extrémités utilisées dans les prises de l'appareil.

Si possible, n'installez pas l'appareil à portée des enfants ou des animaux.

Si un animal ou un enfant endommage l'intégrité de l'appareil (par exemple, si le boîtier se casse), cessez d'utiliser l'appareil et contactez le support technique Tedee.

L'appareil ne doit pas être utilisé par des enfants de moins de 13 ans sans la supervision d'un adulte.

Ne partagez pas vos identifiants de connexion à l'application Tedee et n'accordez pas d'accès à distance à vos locaux à des personnes non autorisées. Le fabricant ne saurait être tenu responsable des dommages causés par l'octroi d'un accès à des personnes non autorisées.

AVERTISSEMENT : Tedee Dry Contact peut subir une défaillance technique et ne pas être en mesure d'ouvrir votre serrure de porte. Ayez toujours votre smartphone et la clé de la serrure avec vous, ou laissez-les dans un endroit accessible afin que la porte puisse être déverrouillée manuellement en cas d'erreur de ce type.

À faire

Suivez attentivement le manuel d'installation et les précautions de sécurité. En cas de doute, contactez le support technique Tedee.

Si des réparations sont nécessaires, contactez le support technique Tedee.

Utilisez uniquement la tension d'alimentation spécifiée par Tedee. Le non-respect peut endommager l'appareil, dommage non couvert par la garantie.

Autres informations

Le non-respect des recommandations incluses dans ce manuel peut être dangereux ou constituer une violation de la loi. Le fabricant n'est pas responsable des pertes ou dommages résultant du non-respect de ces instructions.





Cet appareil est sûr à utiliser dans des conditions normales et dans le cadre d'une mauvaise utilisation raisonnablement prévisible. Si vous remarquez des signes d'erreurs ou de dysfonctionnement matériel, contactez le support technique Tedee. Dans ce cas, l'appareil doit être retourné à Tedee pour les réparations nécessaires selon les conditions de garantie. Toute modification matérielle ou logicielle de l'appareil non approuvée, non recommandée ou non fournie par Tedee peut annuler votre garantie.

Cet appareil nécessite une source d'alimentation et une connexion Bluetooth® pour fonctionner correctement. Afin d'appairer l'appareil avec Tedee Bridge, une connexion Internet est requise pour utiliser certaines fonctionnalités. Le fabricant n'est pas responsable des problèmes potentiels d'accès à une pièce/aux locaux résultant de l'absence d'accès Internet ou d'une défaillance/épuiement de la source d'alimentation.

Cet appareil n'est pas destiné à être utilisé comme élément d'un système de sécurité domestique. Le fabricant ne déclare aucune propriété anti-effraction ni attestation, certificat ou classe de protection anti-effraction pour cet appareil. Le fabricant ne saurait être tenu responsable de tout dommage/ blessure résultant d'un vol, cambriolage ou intrusion consécutifs à des dommages, au contournement ou à une prise de contrôle non autorisée de l'appareil.

Cet appareil peut nécessiter l'achat de produits supplémentaires pour activer certaines fonctionnalités. En cas de doute, contactez le support Tedee.

Le raccordement de l'appareil à une alimentation qui ne respecte pas les spécifications décrites dans EN 50081-1, EN 50082-1, UL508 et EN 60950 peut annuler la garantie.

Entretien

Débranchez le produit de l'alimentation avant le nettoyage. N'utilisez aucun lubrifiant, agent nettoyant, produit de polissage ou désodorisant sur une quelconque partie de l'appareil. Essayez uniquement avec un chiffon sec.

N'utilisez jamais de câbles endommagés lors de la connexion de l'appareil.

N'essayez pas de démonter le câble, car cela peut vous exposer à un risque d'électrocution.

Informations techniques

Spécifications de l'appareil

Dimensions : 44,5 × 57,5 × 16 mm

Tension d'alimentation : 5–60V DC

Nombre d'entrées : 2

Type d'entrée : Normally Open (normalement ouvert)

Nombre de sorties : 2

Type de sortie : Normally Open (normalement ouvert)

Matériau du boîtier : PC+ABS

Communication Bluetooth : BLE 5.2, 2,4GHz

Température de fonctionnement : 0–60°C

Humidité de fonctionnement : 0–90%

Compatible avec les appareils Tedee : Tedee PRO, Tedee GO2, Tedee GO, Tedee Bridge

Mentions légales / environnementales



Déclaration de conformité UE

Tedee Sp. z o.o. déclare par la présente que l'équipement radio Tedee Dry Contact



TDCV1.0 est conforme à la directive 2014/53/UE. Le texte intégral de la Déclaration de conformité UE est disponible à l'adresse Internet suivante : <https://tedee.com/compliance>



L'appareil est marqué du symbole de la poubelle sur roues barrée : il ne doit pas être jeté avec les déchets ménagers.

Les équipements usagés doivent être déposés dans un point de collecte autorisé pour les déchets d'équipements électriques et électroniques (DEEE/WEEE).

WEEE / RoHS

Pour éviter tout impact négatif potentiel sur l'environnement, consultez les lois et réglementations locales relatives à l'élimination appropriée des appareils électroniques et des batteries dans votre pays.

Élimination des batteries – si votre appareil Tedee contient des batteries, ne les jetez pas avec les déchets ménagers. Déposez-les dans un point de collecte ou de recyclage approprié. Les batteries utilisées dans les appareils Tedee ne contiennent pas de mercure, de cadmium ou de plomb au-delà des niveaux spécifiés par la directive 2006/66/CE.

Élimination de l'électronique – ne jetez pas votre appareil Tedee avec les déchets ménagers. Déposez-le dans un point de collecte ou de recyclage approprié.



40



Bluetooth®

La marque verbale et les logos Bluetooth® sont la propriété de Bluetooth SIG, Inc. et toute utilisation de ces marques par Tedee Sp. z o.o. est faite sous licence.

Google

Google, Android et Google Play sont des marques commerciales de Google LLC.

Apple

Apple et App Store sont des marques commerciales d'Apple Inc. iOS est une marque commerciale ou une marque déposée de Cisco aux États-Unis et dans d'autres pays, et est utilisée sous licence.

ISED

This device, holding ISED IC: 31583-TDCV10, contains licence-exempt transmitter(s)/receiver(s) that comply with Innovation, Science and Economic Development Canada's licence-exempt RSS(s). Operation is subject to the following two conditions:

- (1) This device may not cause interference.
- (2) This device must accept any interference, including interference that may cause undesired operation of the device.

Le présent appareil est conforme aux CNR d'Industrie Canada applicables aux appareils radio exempts de licence. L'exploitation est autorisée aux deux conditions suivantes:

- (1) l'appareil ne doit pas produire de brouillage, et
- (2) l'utilisateur de l'appareil doit accepter tout brouillage radioélectrique subi, même si le brouillage est susceptible d'en compromettre le fonctionnement.

Radiation Exposure Statement: The product complies with the Canada portable RF exposure limit set forth for an uncontrolled environment and are safe for intended operation as described in this manual.





Déclaration d'exposition aux radiations: Le produit est conforme aux limites d'exposition pour les appareils portables RF pour les Etats-Unis et le Canada établies pour un environnement non contrôlé.

tedee® est une marque déposée de Tedee Sp. z o.o. Copyright (C) 2022. Tous droits réservés.

Les autres marques et noms commerciaux appartiennent à leurs propriétaires respectifs.

Garantie

Garantie matérielle limitée Tedee

Tedee Sp. z o.o. garantit que les appareils Tedee sont exempts de défauts matériels (matériaux et fabrication) pendant une période d'au moins 2 ans à compter de la date du premier achat au détail.

Tedee Sp. z o.o. n'assume pas la responsabilité d'une mauvaise utilisation des appareils (y compris des méthodes de charge autres que celles décrites dans ce livret), en particulier si l'utilisateur a entrepris des changements ou modifications du matériel ou du logiciel de l'appareil qui ne sont pas approuvés, recommandés ou fournis par Tedee.

Les informations complètes sur la garantie sont disponibles sur : www.tedee.com/warranty, à l'adresse du siège du fabricant indiquée sur l'emballage, ainsi qu'à l'adresse : support@tedee.com.

Support technique

E-mail: support@tedee.com

Site web: www.tedee.com/support

Téléphone: (+48) 22 307 72 67

Horaires: 8:00 – 16:00 (CET)

Adresse: Tedee Sp. z o.o., Karola Bohdanowicza 21/57, 02-127 Warsaw, Pologne

GA: Faisnéis Sábháilteachta

RABHADH: Leugh a h-uile stiúireadh agus rabhadh sábháilteachd. Mura lean thu na stiúiridhean agus na rabhaidhean, dh'fhoadadh sin clisgeadh dealain, teine, agus/no droch leòn adhbhrachadh.

Cùm na stiúiridhean seo airson cleachdadh san àm ri teachd.

Gus an tionndadh as ùire is as ùraichte dhe na stiúiridhean seo fhaighinn, tadhail air: <https://tedee.com/support>

RABHADH: Ceangail an uidheam a-mhàin a rèir nan stiúiridhean a tha air an toirt seachad san leabhar-làimhe seo.

Faodaidh ceanglaichean mì-cheart teine no clisgeadh dealain adhbhrachadh, an t-uidheam a mhilleadh agus barantas an toraidh a chur às. Ma tha teagamh ort, cuir fios gu dealanach barrantaichte airson taic no chun an neach-dèanamh.

CUNNART! CUNNART CLISGEADH DEALAIN!

NA suath **RI** toraidhean an stàlaidh agad às aonais inslithe ceart (m.e. miotagan rubair). Fiù 's nuair a tha an t-uidheam dheth, dh'fhoadadh na toraidhean a bhith fha-thast fo bholtachd (a' giùlan dealan gu gnìomhach). Feumar a h-uile obair stàlaidh a dhèanamh **AN-CÒMHNAIDH** leis a' chuairt chumhachd dì-cheangailte.

NA cuir **A-RITHIST** an t-uidheam gu dìreach ann am prìs-dealain no ann an solar cumhachd 230V/110V. Cunnart àrd de chlisgeadh dealain agus/no teine.

Na dèan

Na fosgail, na atharraich agus na dì-shìn (na dì-chruinnich) an t-uidheam no a ghoireasan.

Na dèan seirbheis dhut fhèin air pàirt sam bith dhen uidheam. Ma tha feum air càradh, cuir fios gu taic theicnigeach Tedee aig: <https://tedee.com/>

Na bogaich an t-uidheam ann an leaghan no uisge agus na nochd e do thaiseachd.

Na cleachd an t-uidheam faisg air stòr teas fìor-mhòr (mar rèididheatair no simleair),





stòr fuachd, lasair fhosgailte no suidheachaidhean fìor-mhòr eile.

Na cleachd an t-uidheam ann an àrainneachd le taiseachd àrd no ìrean duslaich àrd, no le truaillleadh èadhair àrd. Cleachd an t-uidheam a-mhàin a-staigh.

Na cuir nithean meatailt ann an fosglaidhean no beàrnan an uidheim, ach a-mhàin cinn chàbaill a tha ceangailte a rèir nan stiùiridhean.

Na làimhsich pàirt sam bith dhen uidheam no a ghoireasan le làmhnan fliucha.

Na cuir cuideam air na càbaill rè ceangal an uidheim nas motha na tha air a shònra-chadh leis an neach-dèanamh, gus milleadh no deformachadh a sheachnadh.

Na feuch ri càbaill a thoirt a-mach às na socaidean aca le feachd. Ma tha duilghe-adas ann, cuir fios gu taic Tedee.

Na toir air falbh inslithe nan càbaill ach aig cinn nan càbaill a thathar a' cleachdadh ann an socaidean an uidheim.

Na stàlaich an t-uidheam taobh a-staigh ruigsinneachd chloinne no bheathaichean, ma ghabhas e dèanamh.

Ma nì beathach no pàiste cron air ionracas an uidheim (mar eisimpleir, ma bhreiseas an còmhach), stad a' cleachdadh an uidheim agus cuir fios gu taic theicnigeach Tedee.

Cha bu chòir do chloinn fo aois 13 an t-uidheam a chleachdadh às aonais stiùireadh inbheach.

Na roinn mion-fhiosrachadh logaidh a-steach an aplacaid Tedee agad agus na toir ruigsinneachd air astar do na togalaichean agad do dhaoine gun ùghdarras. Cha bhì an neach-dèanamh cunntachail airson milleadh sam bith a thig bho bhith a' toirt ruigsinneachd do dhaoine gun ùghdarras.

RABHADH: Dh'fhaodadh fàilligeadh teicnigeach a bhith air Tedee Dry Contact, agus mar sin dh'fhaodadh nach bì e comasach dha glas do dhòrais fhosgladh. Cùm am fòn-spaidheil agad agus iuchair a' ghlasa leat an-còmhnaidh, no fàg iad ann an àite furasta a ruigsinn gus an gabh an doras fhosgladh le làimh ma thachras

42

mearachd mar sin.

Dèan

Lean an leabhar-làimhe stàlaidh agus na rabhadh sàbhailteachd gu dlùth. Ma tha teagamh ort, cuir fios gu taic theicnigeach Tedee.

Ma tha feum air càradh, cuir fios gu taic theicnigeach Tedee.

Cleachd a-mhàin an bholtaid solar cumhachd a tha Tedee air a shònraichadh. Mura dèanar sin, dh'fhaodadh milleadh a bhith air an uidheam, agus chan eil sin air a chòmhachadh leis a' bharantas.

Fiosrachadh eile

Dh'fhaodadh e bhith cunnartach no briseadh an lagha gun a bhith a' leantainn nan molaidhean san leabhar-làimhe seo. Chan eil an neach-dèanamh cunntachail airson call no milleadh sam bith a thig bho bhith gun a bhith a' leantainn nan stiùiridhean seo.

Tha an t-uidheam seo sàbhailte ri chleachdadh fo ghnìomhachd àbhaisteach agus fo mhì-chleachdadh a tha reusanta ro-innseach. Ma mhothaicheas tu comharran mhe-arachdan no fàilligeadh bathair-chruaidh, cuir fios gu taic theicnigeach Tedee airson cuideachadh. Anns a' chùis sin, bu chòir an t-uidheam a chur air ais gu Tedee airson càradh riatanach fo chumhachan a' bharantais. Faodaidh atharrachaidhean no mion-atharrachaidhean air bathar-cruaidh no bathar-bog an uidheim nach eil air an aontachadh, air am moladh no air an toirt seachad le Tedee am bharantas a chur às.

Feumaidh an t-uidheam seo stòr cumhachd agus ceangal Bluetooth® airson obrachadh ceart. Gus an t-uidheam a phaidheadh le Tedee Bridge, tha ceangal eadar-lìn riatanach gus cuid de fheartan an uidheim a chleachdadh. Chan eil an neach-dèanamh cunntachail airson duilgheadasan ruigsinneachd dhan rùm/ionad a dh'fhaodadh èirigh air sgàth dìth eadar-lìn no fàilligeadh/no crìonadh (exhaustion) an stòr cumhachd.

Chan eil an t-uidheam seo an dùil a bhith air a chleachdadh mar phàirt de shiostam tèarainteachd dachaigh. Chan eil an neach-dèanamh a' dearbhadh feartan





an-aghaidh mèirle/briseadh-a-steach, no teisteanasan/attestations no clasaichean dion an-aghaidh briseadh-a-steach airson an uidheim. Cha bhì an neach-dèanamh cunntachail airson milleadh/leòn a dh'fhaodadh tachairt mar thoradh air mèirle, briseadh-a-steach no ionnsaigh (intrusion) a thig bho mhilleadh, bho bhith ga chur seachad (overcoming) no bho smachd gun ùghdarras a ghabhail air an uidheam.

Dh'fhaodadh gum bi feum air ceannach thoraidhean a bharrachd gus cuid de fhear-tan an uidheim a chomasachadh. Ma tha teagamh ort, cuir fios gu taic Tedee.

Faodaidh ceangal an uidheim ri solar cumhachd nach eil a' coinneachadh ris na sònrachaidhean ann an EN 50081-1, EN 50082-1, UL508 agus EN 60950 am barantas a chur às.

Cumail suas

Di-cheangail an toradh bhon stòr cumhachd mus glan thu e. Na cleachd lubrica-idean, innealan-glanaidh, poilis no ùrachadairean adhair air pàirt sam bith dhen uidheam. Sguab e le clò tioram a-mhàin.

Na cleachd càbaill mhilleadh a-chaoidh nuair a tha thu a' ceangal an uidheim.

Na feuch ris a' chàball a thoirt às a chèile, oir dh'fhaodadh sin do chur ann an cunnart clisgeadh dealain.

Fiosrachadh teicnigeach

Sònrachadh an uidheim

Meudan: 44.5 × 57.5 × 16 mm

Bholtaids solar: 5–60V DC

Àireamh nan cuir-a-steach: 2

Seòrsa cuir-a-steach: Normally Open (mar as trice fosgailte)

Àireamh nan toraidhean: 2

Seòrsa toraidh: Normally Open (mar as trice fosgailte)

Stuth a' chuirp: PC+ABS

Conaltradh Bluetooth: BLE 5.2, 2.4GHz

Teòthachd obrachaidh: 0–60°C

Taiseachd obrachaidh: 0–90%

Co-fhreagarrach le uidheaman Tedee: Tedee PRO, Tedee GO2, Tedee GO, Tedee Bridge

Notaichean laghail / àrainneachdail



Dearbhadh Co-fhreagarrachd an EU

Tha Tedee Sp. z o.o. a' cur an cèill leis an seo gu bheil an uidheam rèidio Tedee Dry Contact TDCV1.0 a rèir Stiùireadh 2014/53/EU. Tha teacsa slàn Dearbhadh Co-fhreagarrachd an EU ri fhaighinn aig an t-seòladh eadar-lìn a leanas: <https://tedee.com/compliance>



Tha samhla biona-cuibhlicheach le loidhne thairis air air an uidheam – cha bu chòir a chur às leis an sgudal baile/municipal.

Bu chòir uidheam cleachdte a thoirt gu ionad cruinneachaidh ùghdarraichte airson sgudal dealain is dealanach (WEEE).

WEEE / RoHS





Gus buaidh àicheil a dh'fhaodadh a bhith air an àrainneachd a sheachnadh, thoir sùil air laghan is riaghailtean ionadail mu chur às ceart do dh'uidheaman dealanach agus do bhataraidhean nad dhùthaich.

Cuir às do bhataraidhean – ma tha bataraidhean anns an uidheam Tedee agad, na cuir às dhaibh leis an sgudal àbhaisteach dachaigh. Thoir seachad iad gu ionad cruinneachaidh no ath-chuairteachaidh iomchaidh. Chan eil bataraidhean a thathar a' cleachdadh ann an uidheaman Tedee a' gabhail a-steach mearcair, cadmium no luaidhe os cionn nan ìrean a tha air an sònrachadh ann an Stiùireadh 2006/66/EC.

Cuir às do dhealanach – na cuir às dhan uidheam Tedee agad leis an sgudal àbhaisteach dachaigh. Thoir e gu ionad cruinneachaidh no ath-chuairteachaidh iomchaidh.



Bluetooth®

Tha comharra-facail agus suaicheantasan Bluetooth® le seilbh aig Bluetooth SIG, Inc., agus tha cleachdadh nan comharran sin le Tedee Sp. z o.o. fo chhead.

Google

'S e comharraidhean-malairt de Google LLC a th' ann an Google, Android agus Google Play.

Apple

'S e comharraidhean-malairt de Apple Inc. a th' ann an Apple agus App Store. 'S e comharra-malairt no comharra-malairt clàraichte de Cisco sna SA agus ann an dùthchannan eile a th' ann an iOS agus thathar ga chleachdadh fo chhead.

Is trádmarc clàraichte de chuid Tedee Sp. z o.o. é tedee®. Cóipcheart (C) 2022. Gach ceart ar cosaint.

44

Is le hùinéirí faoi seach na trádmarcanna agus na hainmneacha trádála eile.

Barantas

Barantas bathar-cruaidh cuibhrichte Tedee

Tha Tedee Sp. z o.o. a' gealltainn gu bheil uidheaman Tedee saor bho lochdan bathar-cruaidh ann an stuthan agus ann an obair-dèanamh airson ùine nach eil nas lugha na 2 bhliadhna bhon cheann-latha a chaidh a' chiad cheannach reic-mion a dhèanamh.

Chan eil Tedee Sp. z o.o. a' gabhail uallach airson mì-chleachdadh uidheaman (a' gabhail a-steach dòighean cosgais eile seach na tha air am mineachadh san leabhran seo), gu h-àraidh ma chaidh atharrachaidhean no mion-atharrachaidhean air bathar-cruaidh no bathar-bog an uidheim a dhèanamh leis an neach-cleachdaidh nach eil air an aontachadh, air am moladh no air an toirt seachad le Tedee.

Tha fiosrachadh slàn mun bharantas ri fhaighinn aig: www.tedee.com/warranty, aig seòladh prìomh oifis an neach-dèanamh a tha air a chomharrachadh air a' phacaid, agus aig: support@tedee.com.

Taic Theicnigeach

Post-d: support@tedee.com

Làrach-lìn: www.tedee.com/support

Fòn: (+48) 22 307 72 67

Uairean: 8:00 – 16:00 (CET)

Post: Tedee Sp. z o.o., Karola Bohdanowicza 21/57, 02-127 Warsaw, Poland

HR: Sigurnosne informacije

UPOZORENJE: Pročitajte sve sigurnosne smjernice i upozorenja. Nepridržavanje smjernica i upozorenja može dovesti do strujnog udara, požara i/ili teških ozljeda.



Sačuvajte ove upute za buduću uporabu.

Za pristup najnovijoj, ažuriranoj verziji ovih uputa posjetite: <https://tedee.com/support>

UPOZORENJE: Spojite uređaj samo u skladu s uputama navedenima u ovom priručniku.

Neispravna spajanja mogu uzrokovati požar ili strujni udar, oštetiti uređaj i poništiti jamstvo proizvoda. Ako niste sigurni, obratite se kvalificiranom električaru ili proizvođaču.

OPASNOST! RIZIK OD STRUJNOG UDARA!

NE dirajte izlaze svoje instalacije bez odgovarajuće izolacije (npr. gumene rukavice). Čak i kada je uređaj isključen, izlazi i dalje mogu biti pod naponom (aktivno provoditi električnu energiju). Sve instalacijske radove treba **UVIJEK** izvoditi s isključenim strujnim krugom.

NIKADA ne uključujte uređaj izravno u električnu utičnicu ili na napajanje 230V/110V. Visok rizik od strujnog udara i/ili požara.

Nemojte

Nemojte otvarati, mijenjati ili rastavljati uređaj ni njegov pribor.

Nemojte sami servisirati bilo koji dio uređaja. Ako su potrebni popravci, obratite se tehničkoj podršci Tedee na: <https://tedee.com/>

Nemojte uranjati uređaj u bilo koju tekućinu ili vodu niti ga izlagati vlazi.

Nemojte koristiti uređaj u blizini izvora ekstremne topline (npr. radiator ili dimnjak), izvora hladnoće, otvorenog plamena ili drugih ekstremnih uvjeta.

Nemojte koristiti uređaj u okruženju s visokom vlagom ili visokom razinom prašine, kao ni u okruženju s jakim onečišćenjem zraka. Uređaj koristite samo u zatvorenom prostoru.

Nemojte umetati metalne predmete u otvore i proreze uređaja, osim krajeva kabela spojenih prema uputama.

Nemojte rukovati bilo kojim dijelom uređaja ili njegovim priborom mokrim rukama.

Nemojte primjenjivati pritisak na kabele tijekom spajanja uređaja iznad onoga što je odredio proizvođač kako biste spriječili oštećenje ili deformaciju.

Nemojte pokušavati silom izvući kabele iz njihovih utičnica. U slučaju problema, kontaktirajte podršku Tedee.

Nemojte uklanjati izolaciju s kabela osim na krajevima kabela koji se koriste u priključnicama uređaja.

Nemojte instalirati uređaj na dohvata djece ili životinja, ako je moguće.

Ako životinja ili dijete ošteti integritet uređaja (npr. kućiste se slomi), prestanite koristiti uređaj i obratite se tehničkoj podršci Tedee.

Uređaj ne smiju koristiti djeca mlađa od 13 godina bez nadzora odrasle osobe.

Nemojte dijeliti svoje pristupne podatke za aplikaciju Tedee niti davati udaljeni pristup svojim prostorima neovlaštenim osobama. Proizvođač ne snosi odgovornost za štetu uzrokovanu davanjem pristupa neovlaštenim osobama.

UPOZORENJE: Tedee Dry Contact može doživjeti tehnički kvar pa možda neće moći otvoriti bravu vaših vrata. Uvijek nosite sa sobom pametni telefon i ključ od brave ili ih ostavite na dostupnom mjestu kako bi se vrata mogla ručno otključati u slučaju takve pogreške uređaja.

Učinite

Pažljivo slijedite priručnik za ugradnju i sigurnosne mjere. Ako niste sigurni, obratite se tehničkoj podršci Tedee.

Ako su potrebni popravci, obratite se tehničkoj podršci Tedee.

Koristite samo napon napajanja koji je odredio Tedee. U suprotnom može doći do oštećenja uređaja, što nije pokriveno jamstvom.

Ostale informacije





Nepridržavanje preporuka u ovom priručniku može biti opasno ili uzrokovati kršenje zakona. Proizvođač nije odgovoran za bilo kakav gubitak ili štetu nastalu zbog nepridržavanja ovih uputa.

Ovaj je uređaj siguran za uporabu u normalnim uvjetima i u slučaju razumno predvidive nepravilne uporabe. Ako primijetite znakove pogrešaka ili kvara hardvera, obratite se tehničkoj podršci Tedee. U tom slučaju uređaj treba vratiti Tedeeu radi potrebnih popravaka u skladu s uvjetima jamstva. Bilo kakve promjene ili preinake hardvera ili softvera uređaja koje nisu odobrene, preporučene ili pružene od strane Tedee mogu poništiti jamstvo.

Ovaj uređaj zahtijeva izvor napajanja i Bluetooth® vezu za pravilan rad. Za uparivanje uređaja s Tedee Bridge potrebna je internetska veza kako bi se koristile neke značajke uređaja. Proizvođač nije odgovoran za moguće probleme s pristupom prostoru zbog nedostatka internetske veze ili zbog kvara ili pražnjenja/istrošenosti izvora napajanja.

Ovaj uređaj nije namijenjen uporabi kao dio kućnog sigurnosnog sustava. Proizvođač ne deklarira nikakva protuprovalna svojstva niti ateste, certifikate ili klase protuprovalne zaštite za ovaj uređaj. Proizvođač ne snosi odgovornost za bilo kakvu štetu/ozljede nastale zbog krađe, provala ili upada uslijed oštećenja, savladavanja ili neovlaštenog preuzimanja kontrole nad uređajem.

Ovaj uređaj može zahtijevati kupnju dodatnih proizvoda kako bi se omogućile neke njegove značajke. Ako niste sigurni, kontaktirajte podršku Tedee.

Spajanje uređaja na napajanje koje ne udovoljava specifikacijama navedenima u EN 50081-1, EN 50082-1, UL508 i EN 60950 može poništiti jamstvo.

Održavanje

Odspojite proizvod s izvora napajanja prije čišćenja. Ne koristite maziva, sredstva za čišćenje, sredstva za poliranje niti osvježivače zraka na bilo kojem dijelu uređaja. Brišite samo suhom krpom.

Nikada ne koristite oštećene kabele pri spajanju uređaja.

46

Ne pokušavajte rastaviti kabel jer to može izložiti opasnosti od strujnog udara.

Tehničke informacije

Specifikacija uređaja

Dimenzije: 44,5 × 57,5 × 16 mm

Napon napajanja: 5–60 V DC

Broj ulaza: 2

Vrsta ulaza: Normally Open (normalno otvoreno)

Broj izlaza: 2

Vrsta izlaza: Normally Open (normalno otvoreno)

Materijal kućišta: PC+ABS

Bluetooth komunikacija: BLE 5.2, 2,4 GHz

Radna temperatura: 0–60 °C

Radna vlažnost: 0–90%

Kompatibilno s uređajima Tedee: Tedee PRO, Tedee GO2, Tedee GO, Tedee Bridge

Pravne / okolišne napomene



EU Izjava o sukladnosti

Tedee Sp. z o.o. ovime izjavljuje da je radijski uređaj Tedee Dry Contact TDCV1.0 u skladu s Direktivom 2014/53/EU. Potpuni tekst EU Izjave o sukladnosti dostupan je na sljedećoj internetskoj adresi: <https://tedee.com/compliance>





Uređaj je označen simbolom prekrížene kante na kotačima – ne smije se odlagati s komunalnim otpadom.

Rabljenu opremu treba predati na ovlašteno mjesto prikupljanja električnog i elektroničkog otpada (WEEE).

WEEE / RoHS

Kako biste spriječili mogući negativan utjecaj na okoliš, konzultirajte lokalne zakone i propise o pravilnom zbrinjavanju elektroničkih uređaja i baterija u svojoj zemlji.

Zbrinjavanje baterija – ako vaš Tedee uređaj sadrži baterije, nemojte ih odlagati s običnim kućnim otpadom. Predajte ih na odgovarajuće mjesto za recikliranje ili prikupljanje. Baterije koje se koriste u Tedee uređajima ne sadrže živu, kadmij ili olovo iznad razina navedenih u Direktivi 2006/66/EZ.

Zbrinjavanje elektronike – nemojte odlagati svoj Tedee uređaj s običnim kućnim otpadom. Predajte ga na odgovarajuće mjesto za recikliranje ili prikupljanje.



Bluetooth®

Riječna oznaka i logotipi Bluetooth® vlasništvo su Bluetooth SIG, Inc., a svaka uporaba tih oznaka od strane Tedee Sp. z o.o. odvija se pod licencom.

Google



Google, Android i Google Play zaštitni su znakovi tvrtke Google LLC.

Apple

Apple i App Store zaštitni su znakovi tvrtke Apple Inc. iOS je zaštitni znak ili registrirani zaštitni znak tvrtke Cisco u SAD-u i drugim zemljama te se koristi pod licencom.

tedee® je registrirani zaštitni znak tvrtke Tedee Sp. z o.o. Autorska prava (C) 2022. Sva prava pridržana.

Ostali zaštitni znakovi i trgovački nazivi vlasništvo su svojih odgovarajućih vlasnika.

Jamstvo

Ograničeno jamstvo za hardver Tedee

Tedee Sp. z o.o. jamči da Tedee uređaji nemaju hardverskih nedostataka u materijalima i izradi i razdoblju ne kraćem od 2 godine od datuma prve maloprodajne kupnje.

Tedee Sp. z o.o. ne preuzima odgovornost za nepravilnu uporabu uređaja (uključujući metode punjenja koje nisu opisane u ovoj knjižici), osobito ako je korisnik poduzeo bilo kakve promjene ili preinake hardvera ili softvera uređaja koje nisu odobrene, preporučene ili pružene od strane Tedee.

Potpune informacije o jamstvu dostupne su na: www.tedee.com/warranty, na adresi sjedišta proizvođača navedenoj na pakiranju i na: support@tedee.com.

Tehnička podrška

E-mail: support@tedee.com

Web-stranica: www.tedee.com/support

Telefon: (+48) 22 307 72 67

Radno vrijeme: 8:00 – 16:00 (CET)

Adresa: Tedee Sp. z o.o., Karola Bohdanowicza 21/57, 02-127 Warsaw, Poljska



HU: Biztonsági információk

FIGYELMEZTETÉS: Olvassa el az összes biztonsági irányelvet és figyelmeztetést. Az irányelvek és figyelmeztetések be nem tartása áramütést, tüzet és/vagy súlyos sérülést okozhat.

Őrizzze meg ezeket az utasításokat későbbi használatra.

Az utasítások legfrissebb, naprakész verziójához látogasson el ide: <https://tedee.com/support>

FIGYELMEZTETÉS: A készüléket kizárólag a jelen kézikönyvben megadott utasítások szerint csatlakoztassa.

A helytelen bekötés tüzet vagy áramütést okozhat, károsíthatja a készüléket, és érvénytelenítheti a termék garanciáját. Ha bizonytalan, forduljon szakképzett villanyszerelőhöz vagy a gyártóhoz.

VESZÉLY! ÁRAMÜTÉS VESZÉLYE!

NE érintse meg a telepítés kimeneteit megfelelő szigetelés nélkül (pl. gumikesztyű). Még akkor is, ha a készülék ki van kapcsolva, a kimenetek továbbra is feszültség alatt lehetnek (aktívan vezethetik az áramot). Minden telepítési munkát **MINDIG** a leválasztott áramkör mellett kell elvégezni.

SOHA ne csatlakoztassa a készüléket közvetlenül hálózati aljzathoz vagy 230V/110V tápegységhez. Magas áramütés- és/vagy tűzveszély.

Ne tegye

Ne nyissa ki, ne módosítsa és ne szerelje szét a készüléket vagy a tartozékait.

Ne végezzen saját maga javítást vagy szervizelést a készülék bármely részén. Ha javítás szükséges, lépjen kapcsolatba a Tedee műszaki támogatással: <https://tedee.com/>

Ne merítse a készüléket folyadékba vagy vízbe, és ne tegye ki nedvességnek.

Ne használja a készüléket szélsőséges hőforrás (pl. radiátor vagy kémény), hideg

gforrás, nyílt láng vagy más szélsőséges körülmények közelében.

Ne használja a készüléket magas páratartalmú vagy poros környezetben, illetve erős légszennyezettség mellett. A készüléket csak beltérben használja.

Ne helyezzen fém tárgyakat a készülék nyílásaiba és réseibe, kivéve a kábelek végét, amelyeket az utasítások szerint csatlakoztat.

Ne kezelje a készülék vagy tartozékai bármely részét nedves kézzel.

A készülék csatlakoztatása során ne gyakoroljon a kábelekre a gyártó által meghatározottnál nagyobb nyomást, a károsodás vagy deformáció elkerülése érdekében.

Ne próbálja a kábeleket erővel kihúzni a csatlakozókból. Probléma esetén vegye fel a kapcsolatot a Tedee támogatással.

Ne távolítsa el a kábelek szigetelését, kivéve a kábelvégeknél, amelyeket a készülék csatlakozóiban használ.

Ha lehetséges, ne telepítse a készüléket gyermekek vagy állatok által elérhető helyre.

Ha egy állat vagy gyermek megsérti a készülék épségét (például a burkolat eltörik), hagyja abba a készülék használatát, és lépjen kapcsolatba a Tedee műszaki támogatással.

A készüléket 13 év alatti gyermekek felnőtt felügyelete nélkül nem használhatják.

Ne ossza meg a Tedee alkalmazás bejelentkezési adatait, és ne adjon távoli hozzáférést a helyiségeihez illetéktelen személyeknek. A gyártó nem vállal felelősséget az illetéktelen hozzáférés megadásából eredő károkért.

FIGYELMEZTETÉS: A Tedee Dry Contact műszaki meghibásodást szenvedhet, ezért előfordulhat, hogy nem tudja kinyitni az ajtózárat. Mindig tartsa magánál az okostelefonját és az ajtózár kulcsát, vagy hagyja azokat könnyen hozzáférhető helyen, hogy ilyen hiba esetén az ajtó manuálisan is kinyitható legyen.





Tegye

Kövesse szorosan a telepítési kézikönyvet és a biztonsági óvintézkedéseket. Ha bizonytalan, vegye fel a kapcsolatot a Tedee műszaki támogatással.

Ha javítás szükséges, vegye fel a kapcsolatot a Tedee műszaki támogatással.

Csak a Tedee által megadott tápfeszültséget használja. Ennek elmulasztása a készülék károsodását okozhatja, amelyet a garancia nem fedez.

Egyéb információk

Az ebben a kézikönyvben szereplő ajánlások be nem tartása veszélyes lehet, vagy jogszabálysértést eredményezhet. A gyártó nem felelős semmilyen veszteségért vagy kárért, amely ezen utasítások be nem tartásából ered.

A készülék normál használat és ésszerűen előrelátható rendeltetésellenes használat esetén is biztonságosan használható. Ha hibára utaló jeleket vagy hardverhibát észlel, kérjen segítséget a Tedee műszaki támogatástól. Ilyen esetben a készüléket vissza kell küldeni a Tedee-nek a szükséges javítások elvégzéséhez a garanciális feltételek szerint. A készülék hardverén vagy szoftverén végzett, a Tedee által nem jóváhagyott, nem javasolt vagy nem biztosított változtatások vagy módosítások érvényteleníthetik a garanciát.

A készülék megfelelő működéséhez áramforrásra és Bluetooth® kapcsolatra van szükség. A készülék Tedee Bridge-dzsel való párosításához internetkapcsolat szükséges bizonyos funkciók használatához. A gyártó nem felelős a helyiséghez/ingatlanhoz való hozzáféréssel kapcsolatos esetleges problémákért, amelyek az internetkapcsolat hiányából, illetve az áramforrás meghibásodásából vagy kimerüléséből erednek.

A készülék nem otthoni biztonsági rendszer részeként történő használatra készült. A gyártó nem állít semmilyen betörésgátló tulajdonságot, és nem ad ki a készülékre vonatkozó betörésvédelmi tanúsítványt, igazolást vagy védelmi osztályt. A gyártó nem felelős semmilyen kárért/sérülésért, amely lopás, betörés vagy behatolás következtében keletkezik a készülék megrongálása, kijátszása vagy illetéktelen irányítás megszerzése miatt.

A készülék egyes funkcióinak engedélyezéséhez további termékek megvásárlása szükséges lehet. Ha bizonytalan, vegye fel a kapcsolatot a Tedee támogatással.

A készülék olyan tápegységhez történő csatlakoztatása, amely nem felel meg az EN 50081-1, EN 50082-1, UL508 és EN 60950 szabványokban meghatározott előírásoknak, érvénytelenítheti a garanciát.

Karbantartás

Tisztítás előtt válassza le a terméket az áramforrásról. Ne használjon kenőanyagokat, tisztítószereket, polírozószereket vagy légrfrissítőket a készülék bármely részén. Csak száraz ruhával törölje át.

Soha ne használjon sérült kábeleket a készülék csatlakoztatásakor.

Ne próbálja szétszerelni a kábelt, mert ez áramütésnek teheti ki.

Műszaki információk

A készülék műszaki adatai

Méret: 44,5 × 57,5 × 16 mm

Tápfeszültség: 5–60 V DC

Bemenetek száma: 2

Bemenet típusa: Normally Open (alaphelyzetben nyitott)

Kimenetek száma: 2

Kimenet típusa: Normally Open (alaphelyzetben nyitott)

Ház anyaga: PC+ABS

Bluetooth kommunikáció: BLE 5.2, 2,4 GHz

Üzemi hőmérséklet: 0–60°C

Üzemi páratartalom: 0–90%



Kompatibilis Tedee eszközök: Tedee PRO, Tedee GO2, Tedee GO, Tedee Bridge

Jogi / környezetvédelmi megjegyzések



EU megfelelési nyilatkozat

A Tedee Sp. z o.o. ezennel kijelenti, hogy a Tedee Dry Contact TDCV1.0 rádióbe-
rendezés megfelel a 2014/53/EU irányelvnek. Az EU megfelelési nyilatkozat teljes
szövege az alábbi internetcímen érhető el: <https://tedee.com/compliance>



A készüléken áthúzott kerek kuka szimbólum található – nem dobható ki a
települési hulladékkal.

A használt berendezést engedélyezett elektromos és elektronikus hulladék (WEEE)
gyűjtőpontra kell vinni.

WEEE / RoHS

A környezetre gyakorolt lehetséges negatív hatások megelőzése érdekében tájéko-
zódjon a helyi jogszabályokról és előírásokról az elektronikai eszközök és elemek/
akkumulátorok megfelelő ártalmatlanításával kapcsolatban az Ön országában.

Elemek/akkumulátorok ártalmatlanítása – ha a Tedee eszköze elemeket/akku-
mulátorokat tartalmaz, ne dobja ki őket a háztartási hulladékkal. Adja le őket
megfelelő újrahasznosító vagy gyűjtőpontra. A Tedee eszközökben használt
elemek/akkumulátorok nem tartalmaznak higanyt, kadmiumot vagy ólmot a 2006/66/
50

EK irányelvben meghatározott szintek felett.

Elektronika ártalmatlanítása – ne dobja ki a Tedee eszközt a háztartási hulladékkal.
Adja le megfelelő újrahasznosító vagy gyűjtőpontra.



Bluetooth®

A Bluetooth® szóvédjegy és logó a Bluetooth SIG, Inc. tulajdonát képezik, és a
Tedee Sp. z o.o. ezen védjegyeket licenc alapján használja.

Google

A Google, az Android és a Google Play a Google LLC védjegyei.

Apple

Az Apple és az App Store az Apple Inc. védjegyei. Az iOS a Cisco védjegye vagy
bejegyzett védjegye az Egyesült Államokban és más országokban, és licenc alapján
kerül felhasználásra.

A tedee® a Tedee Sp. z o.o. bejegyzett védjegye. Copyright (C) 2022. Minden jog
fenntartva.

A többi védjegy és kereskedelmi név a megfelelő tulajdonosok tulajdona.

Garancia

Tedee korlátozott hardvergarancia

A Tedee Sp. z o.o. garantálja, hogy a Tedee eszközök anyag- és gyártási eredetű
hardverhibáktól mentesek legalább 2 évig az első kiskereskedelmi vásárlás
dátumától számítva.





A Tedee Sp. z o.o. nem vállal felelősséget az eszközök helytelen használatáért (beleértve a jelen füzetben leírtaktól eltérő töltési módszereket), különösen akkor, ha a felhasználó a készülék hardverén vagy szoftverén olyan változtatásokat vagy módosításokat hajtott végre, amelyeket a Tedee nem hagyott jóvá, nem ajánlott vagy nem biztosított.

A teljes körű garanciainformáció elérhető itt: www.tedee.com/warranty, a gyártó csomagolásán feltüntetett székhelycímén, valamint a support@tedee.com e-mail címen.

Műszaki támogatás

E-mail: support@tedee.com

Weboldal: www.tedee.com/support

Telefon: (+48) 22 307 72 67

Ügyfélfogadási idő: 8:00 – 16:00 (CET)

Postacím: Tedee Sp. z o.o., Karola Bohdanowicza 21/57, 02-127 Varsó, Lengyelország

IT: Informazioni sulla sicurezza

AVVERTENZA: Leggere tutte le linee guida e le avvertenze di sicurezza. Il mancato rispetto delle linee guida e delle avvertenze può causare scosse elettriche, incendi e/o lesioni gravi.

Conservare queste istruzioni per un uso futuro.

Per accedere alla versione più recente e aggiornata di queste istruzioni visitare: <https://tedee.com/support>

AVVERTENZA: Collegare il dispositivo solo secondo le istruzioni fornite in questo manuale.

Collegamenti impropri possono causare incendio o scossa elettrica, danneggiare

il dispositivo e invalidare la garanzia del prodotto. In caso di dubbi, contattare un elettricista qualificato o il produttore.

PERICOLO! RISCHIO DI SCOSSA ELETTRICA!

NON toccare le uscite dell'impianto senza un'adeguata protezione/isolamento (ad es. guanti di gomma). Anche quando il dispositivo è spento, le uscite possono essere ancora in tensione (trasmettere attivamente elettricità). Tutti i lavori di installazione devono essere **SEMPRE** eseguiti con il circuito di alimentazione scollegato.

NON collegare **MAI** il dispositivo direttamente a una presa elettrica o a un'alimentazione 230V/110V. Elevato rischio di folgorazione e/o incendio.

Non fare

Non aprire, modificare o smontare il dispositivo o i suoi accessori.

Non eseguire interventi di assistenza sul dispositivo in autonomia. Se sono necessarie riparazioni, contattare l'assistenza tecnica Tedee su: <https://tedee.com/>

Non immergere il dispositivo in alcun liquido o acqua né esporlo all'umidità.

Non utilizzare il dispositivo vicino a fonti di calore estremo (come radiatori o camini), fonti di freddo, fiamme libere o altre condizioni estreme.

Non utilizzare il dispositivo in ambienti con elevata umidità o livelli elevati di polvere, né in presenza di forte inquinamento dell'aria. Utilizzare il dispositivo solo in ambienti interni.

Non inserire oggetti metallici nelle aperture o fessure del dispositivo, ad eccezione delle estremità dei cavi collegate secondo le istruzioni.

Non maneggiare alcuna parte del dispositivo o dei suoi accessori con le mani bagnate.

Non applicare pressione ai cavi durante il collegamento del dispositivo oltre quanto specificato dal produttore, per evitare danni o deformazioni.

Non tentare di rimuovere i cavi dalle prese forzandoli. In caso di problemi, contattare





l'assistenza Tedee.

Non rimuovere l'isolamento dei cavi, tranne che alle estremità dei cavi utilizzate nelle prese del dispositivo.

Se possibile, non installare il dispositivo alla portata di bambini o animali.

Se un animale o un bambino danneggia l'integrità del dispositivo (ad esempio, si rompe l'involucro), interrompere l'uso del dispositivo e contattare l'assistenza tecnica Tedee.

Il dispositivo non deve essere utilizzato da bambini di età inferiore a 13 anni senza la supervisione di un adulto.

Non condividere le credenziali di accesso all'app Tedee né concedere l'accesso remoto ai propri locali a persone non autorizzate. Il produttore non sarà responsabile per danni causati dalla concessione di accesso a personale non autorizzato.

AVVERTENZA: Tedee Dry Contact può essere soggetto a guasti tecnici, pertanto potrebbe non essere in grado di aprire la serratura della porta. Portare sempre con sé lo smartphone e la chiave della serratura oppure lasciarli in un luogo accessibile, in modo che la porta possa essere sbloccata manualmente in caso di errore del dispositivo.

Da fare

Seguire attentamente il manuale di installazione e le precauzioni di sicurezza. In caso di dubbi, contattare l'assistenza tecnica Tedee.

Se sono necessarie riparazioni, contattare l'assistenza tecnica Tedee.

Utilizzare solo la tensione di alimentazione specificata da Tedee. Il mancato rispetto può causare danni al dispositivo, non coperti da garanzia.

Altre informazioni

Il mancato rispetto delle raccomandazioni incluse in questo manuale può essere pericoloso o costituire una violazione della legge. Il produttore non è responsabile di

perdite o danni derivanti dal mancato rispetto di queste istruzioni.

Questo dispositivo è sicuro da usare in condizioni normali e in caso di uso improprio ragionevolmente prevedibile. Se si notano segni di errori o malfunzionamenti hardware, contattare l'assistenza tecnica Tedee. In tal caso, il dispositivo deve essere restituito a Tedee per le riparazioni necessarie secondo le condizioni di garanzia. Qualsiasi cambiamento o modifica all'hardware o al software del dispositivo non approvati, raccomandati o forniti da Tedee può invalidare la garanzia.

Questo dispositivo richiede una fonte di alimentazione e una connessione Bluetooth® per un corretto funzionamento. Per associare il dispositivo a Tedee Bridge è necessaria una connessione Internet per utilizzare alcune funzioni del dispositivo. Il produttore non è responsabile di eventuali problemi di accesso ai locali derivanti dalla mancanza di accesso a Internet o da guasti o esaurimento della fonte di alimentazione.

Questo dispositivo non è destinato all'uso come parte di un sistema di sicurezza domestica. Il produttore non dichiara proprietà antieffrazione né attestazioni, certificati o classi di protezione antieffrazione per il dispositivo. Il produttore non sarà responsabile di eventuali danni/lesioni dovuti a furto, scasso o intrusioni derivanti da danneggiamento, manomissione o acquisizione non autorizzata del controllo del dispositivo.

Questo dispositivo può richiedere l'acquisto di prodotti aggiuntivi per abilitare alcune funzionalità. In caso di dubbi, contattare l'assistenza Tedee.

Il collegamento del dispositivo a un'alimentazione che non soddisfa le specifiche indicate in EN 50081-1, EN 50082-1, UL508 ed EN 60950 può invalidare la garanzia.

Manutenzione

Scolleghare il prodotto dall'alimentazione prima della pulizia. Non utilizzare lubrificanti, detersivi, lucidanti o deodoranti per ambienti su alcuna parte del dispositivo. Pulire esclusivamente con un panno asciutto.

Non utilizzare mai cavi danneggiati quando si collega il dispositivo.





Non tentare di smontare il cavo, poiché ciò può esporre al rischio di scossa elettrica.

Informazioni tecniche

Specifiche del dispositivo

Dimensioni: 44,5 × 57,5 × 16 mm

Tensione di alimentazione: 5–60 V DC

Numero di ingressi: 2

Tipo di ingresso: Normally Open (normalmente aperto)

Numero di uscite: 2

Tipo di uscita: Normally Open (normalmente aperto)

Materiale del corpo: PC+ABS

Comunicazione Bluetooth: BLE 5.2, 2,4 GHz

Temperatura di esercizio: 0–60°C

Umidità di esercizio: 0–90%

Compatibile con dispositivi Tedee: Tedee PRO, Tedee GO2, Tedee GO, Tedee Bridge

Note legali / ambientali



Dichiarazione di conformità UE

Tedee Sp. z o.o. dichiara che il dispositivo radio Tedee Dry Contact TDCV1.0 è conforme alla Direttiva 2014/53/UE. Il testo completo della Dichiarazione di conformità

UE è disponibile al seguente indirizzo Internet: <https://tedee.com/compliance>



Il dispositivo è contrassegnato dal simbolo del cassonetto con ruote barrato: non deve essere smaltito con i rifiuti urbani.

Le apparecchiature usate devono essere consegnate a un punto di raccolta autorizzato per i rifiuti di apparecchiature elettriche ed elettroniche (RAEE/WEEE).

WEEE / RoHS

Per prevenire potenziali impatti negativi sull'ambiente, consultare le leggi e le normative locali per il corretto smaltimento di dispositivi elettronici e batterie nel proprio Paese.

Smaltimento delle batterie – se il dispositivo Tedee contiene batterie, non smaltirle con i normali rifiuti domestici. Consegnarle a un punto di raccolta o riciclo appropriato. Le batterie utilizzate nei dispositivi Tedee non contengono mercurio, cadmio o piombo oltre i livelli specificati dalla Direttiva 2006/66/CE.

Smaltimento dell'elettronica – non smaltire il dispositivo Tedee con i normali rifiuti domestici. Consegnarlo a un punto di raccolta o riciclo appropriato.



Bluetooth®

Il marchio denominativo e i loghi Bluetooth® sono di proprietà di Bluetooth SIG, Inc. e qualsiasi uso di tali marchi da parte di Tedee Sp. z o.o. avviene su licenza.

Google

Google, Android e Google Play sono marchi di Google LLC.





Apple

Apple e App Store sono marchi di Apple Inc. iOS è un marchio o un marchio registrato di Cisco negli Stati Uniti e in altri Paesi ed è utilizzato su licenza.

tedee® è un marchio registrato di Tedee Sp. z o.o. Copyright (C) 2022. Tutti i diritti riservati.

Altri marchi e nomi commerciali appartengono ai rispettivi proprietari.

Garanzia

Garanzia hardware limitata Tedee

Tedee Sp. z o.o. garantisce che i dispositivi Tedee sono privi di difetti hardware nei materiali e nella lavorazione per un periodo non inferiore a 2 anni dalla data del primo acquisto al dettaglio.

Tedee Sp. z o.o. non si assume responsabilità per l'uso improprio dei dispositivi (incluse modalità di ricarica diverse da quelle descritte in questo libretto), in particolare se l'utente ha effettuato cambiamenti o modifiche all'hardware o al software del dispositivo non approvati, raccomandati o forniti da Tedee.

Le informazioni complete sulla garanzia sono disponibili su: www.tedee.com/warranty, all'indirizzo della sede del produttore indicato sulla confezione e all'indirizzo: support@tedee.com.

Assistenza tecnica

E-mail: support@tedee.com

Sito web: www.tedee.com/support

Telefono: (+48) 22 307 72 67

Orari: 8:00 – 16:00 (CET)

Posta: Tedee Sp. z o.o., Karola Bohdanowicza 21/57, 02-127 Warsaw, Polonia

54

JA: 安全情報

警告: すべての安全ガイドラインおよび警告をお読みください。ガイドラインおよび警告に従わない場合、感電、火災、および/または重大なけがを引き起こすおそれがあります。

本手順は今後の参照のため保管してください。

本手順の最新(最も更新された)版にアクセスするには、次のURLをご覧ください:
<https://tedee.com/support>

警告: 本マニュアルに記載された指示に従ってのみ機器を接続してください。

不適切な接続は、火災や感電の原因となり、機器を損傷し、製品保証を無効にするおそれがあります。不明な点がある場合は、有資格の電気技術者またはメーカーにお問い合わせください。

危険!感電の危険!

適切な絶縁(例:ゴム手袋)なしで設置の出力端子に**触れないでください**。機器の電源を切っても、出力が通電している場合があります(電気を能動的に送電している可能性があります)。すべての設置作業は、必ず電源回路を遮断した状態で行ってください。

機器を電源コンセントや230V/110V電源に**絶対に**直接接続しないでください。感電および/または火災の高い危険があります。

してはいけないこと

機器または付属品を開けたり、改造したり、分解したりしないでください。

機器のいかなる部分も自己修理(セルフサービス)しないでください。修理が必要な場合は、Tedeeテクニカルサポート(<https://tedee.com/>)にお問い合わせください。

機器を液体や水に浸したり、湿気にさらしたりしないでください。

極端な熱源(ラジエーターや煙突など)、冷源、直火、その他の極端な環境条件の近くで機器を使用しないでください。

高湿度または高粉じん環境、ならびに大気汚染がひどい環境で使用しないでください。機器は屋内でのみ使用してください。



指示に従って接続されたケーブル端部を除き、機器の開口部や隙間に金属物を挿入しないでください。

濡れた手で機器または付属品のいかなる部分にも触れないでください。

機器接続中に、メーカーが指定する範囲を超えてケーブルに圧力をかけないでください。損傷や変形のおそれがあります。

ケーブルをソケットから無理に引き抜こうとしないでください。問題がある場合は、Tedesサポートに連絡してください。

機器のソケットで使用するケーブル端部を除き、ケーブルの被覆（絶縁）を取り除かないでください。

可能な場合、子どもや動物の手（口）の届く場所に機器を設置しないでください。

動物または子どもが機器の完全性を損なった場合（例：筐体が破損した場合）、使用を中止し、Tedesテクニカルサポートに連絡してください。

13歳未満の子どもは、成人の監督なしに本機器を使用しないでください。

Tedeeアプリのログイン認証情報を共有したり、許可されていない者に建物／施設へのリモートアクセスを付与したりしないでください。許可されていない者にアクセスを付与したことにより生じた損害について、メーカーは責任を負いません。

警告： Tedee Dry Contactは技術的故障が発生する可能性があり、その場合ドアロックを開けられないことがあります。常にスマートフォンとドアロックの鍵を携帯するか、機器エラー発生時に手動で解錠できるように、アクセスしやすい場所に保管してください。

してください

設置マニュアルおよび安全上の注意事項に厳密に従ってください。不明な点がある場合は、Tedesテクニカルサポートにお問い合わせください。

修理が必要な場合は、Tedesテクニカルサポートにお問い合わせください。

Tedeeが指定する電源電圧のみを使用してください。従わない場合、保証対象外の損傷が発生するおそれがあります。

その他の情報

本マニュアルに含まれる推奨事項に従わないことは危険であり、法令違反となる場合があります。これらの指示に従わなかったことにより生じる損失または損害について、メーカーは責任を負いません。

本機器は、通常の使用および合理的に予見可能な誤使用の範囲において安全に使用できます。エラーの兆候やハードウェアの不具合が見られる場合は、Tedesテクニカルサポートにお問い合わせください。その場合、本機器は保証条件に基づき必要な修理のためTedesへ返送する必要があります。Tedesが承認・推奨・提供していない機器のハードウェアまたはソフトウェアの変更／改造は、保証を無効にすることがあります。

本機器の適切な動作には電源およびBluetooth®接続が必要です。Tedee Bridgeとペアリングするには、機器の一部機能を使用するためにインターネット接続が必要です。インターネット接続の欠如、または電源の故障／枯渇に起因するアクセス問題について、メーカーは責任を負いません。

本機器はホームセキュリティシステムの一部として使用することを目的としていません。メーカーは、本機器について防犯（耐侵入）特性、認証、証明書、または防犯等級を宣言しません。機器の損傷、突破、または不正な制御獲得に起因する盗難・侵入・強盗などにより生じる可能性のある損害／傷害について、メーカーは責任を負いません。

本機器の一部機能を有効化するために追加製品の購入が必要となる場合があります。不明な点がある場合は、Tedesサポートにお問い合わせください。

EN 50081-1、EN 50082-1、UL508、およびEN 60950に規定される仕様を満たさない電源に接続すると、保証が無効になる場合があります。

メンテナンス

清掃前に製品を電源から切り離してください。機器のいかなる部分にも、潤滑剤、洗浄剤、研磨剤、芳香剤（エアフレッシュナー）を使用しないでください。乾いた布でのみ拭いてください。

機器を接続する際、損傷したケーブルは絶対に使用しないでください。

ケーブルを分解しようとしてしないでください。感電の危険があります。



技術情報

機器仕様

寸法:44.5 × 57.5 × 16 mm

供給電圧:5~60V DC

入力数:2

入力タイプ:Normally Open (ノーマリーオープン)

出力数:2

出力タイプ:Normally Open (ノーマリーオープン)

筐体材質:PC+ABS

Bluetooth通信:BLE 5.2、2.4GHz

動作温度:0~60°C

動作湿度:0~90%

対応Tedee機器:Tedee PRO、Tedee GO2、Tedee GO、Tedee Bridge

法的／環境上の注意



本機器には、車輪付きごみ箱に×印の記号が表示されています。一般廃棄物として処分してはいけません。

使用済み機器は、電気・電子機器廃棄物 (WEEE) の認定回収拠点へ持ち込んでください。

WEEE / RoHS

56

環境への潜在的な悪影響を防ぐため、お住まいの国における電子機器および電池の適切な廃棄方法について、地域の法律・規制を確認してください。

電池の廃棄 — Tedee機器に電池が含まれる場合、一般家庭ごみとして廃棄しないでください。適切にリサイクルまたは回収拠点へ引き渡してください。Tedee機器に使用される電池には、指令2006/66/ECで規定されるレベルを超える水銀、カドミウム、鉛は含まれていません。

電子機器の廃棄 — Tedee機器を一般家庭ごみとして廃棄しないでください。適切にリサイクルまたは回収拠点へ引き渡してください。



Bluetooth®

Bluetooth® のワードマークおよびロゴは Bluetooth SIG, Inc. の所有物であり、Tedee Sp. z o.o. による当該マークの使用はライセンスに基づきます。

Google

Google、Android、Google Play は Google LLC の商標です。

Apple

Apple および App Store は Apple Inc. の商標です。iOS は米国およびその他の国における Cisco の商標または登録商標であり、ライセンスに基づき使用されています。

tedee® は Tedee Sp. z o.o. の登録商標です。Copyright (C) 2022. 無断複写・転載を禁じます。

その他の商標および商号は、それぞれの所有者に帰属します。

保証

Tedee限定ハードウェア保証





Tedee Sp. z o.o. は、Tedee機器が材料および製造上の欠陥のないことを、初回小売購入日から少なくとも2年間保証します。

Tedee Sp. z o.o. は、機器の誤使用(本冊子に記載された方法以外の充電方法を含む)について責任を負いません。特に、ユーザーがTedeeにより承認・推奨・提供されていない機器のハードウェアまたはソフトウェアの変更/改造を行った場合は対象外となります。

保証に関する詳細は、www.tedee.com/warranty、製品パッケージに記載のメーカー本社住所、または support@tedee.com にてご確認ください。

テクニカルサポート

Eメール: support@tedee.com

Web サイト: www.tedee.com/support

電話番号: (+48) 22 307 72 67

営業時間: 8:00 – 16:00 (CET)

郵送先: Tedee Sp. z o.o., Karola Bohdanowicza 21/57, 02-127 Warsaw, Poland

LT: Saugos informacija

ISPĖJIMAS: Perskaitykite visas saugos gaires ir įspėjimus. Nesilaikant saugos gairių ir įspėjimų, gali įvykti elektros smūgis, kilti gaisras ir (arba) galima patirti sunkių sužalojimų.

Išsaugokite šias instrukcijas ateičiai.

Norėdami pasiekti naujausią, atnaujintą šių instrukcijų versiją, apsilankykite: <https://tedee.com/support>

ISPĖJIMAS: Prijunkite įrenginį tik pagal šiame vadove pateiktas instrukcijas.

Netinkami prijungimai gali sukelti gaisrą ar elektros smūgį, sugadinti įrenginį ir panaikinti gaminio garantiją. Jei kyla abejonų, kreipkitės į kvalifikuotą elektriką arba gamintoją.

PAVOJUS! ELEKTROS SMŪGIO RIZIKA!

NELIESKITE savo instaliacijos išėjimų be tinkamos izoliacijos (pvz., guminių pirštinių). Net ir išjungus įrenginį, išėjimuose vis tiek gali būti įtampa (aktyviai perduodama elektra). Visi montavimo darbai **VISADA** turi būti atliekami atjungus maitinimo grandinę.

NIEKADA nejunkite įrenginio tiesiogiai į elektros lizdą ar 230V/110V maitinimo šaltinį. Didelė mirtino elektros smūgio ir (arba) gaisro rizika.

Nedarykite

Neatidarykite, nemodifikuokite ir neišardykite įrenginio ar jo priedų.

Neatlikite jokio įrenginio savitvarkos remonto. Jei reikalingas remontas, kreipkitės į Tedee techninį palaikymą: <https://tedee.com/>

Nemerkite įrenginio į jokių skystį ar vandenį ir neveikite jo drėgme.

Nenaudokite įrenginio šalia itin didelio karščio šaltinių (pvz., radiatoriaus ar kamino), šaltčio šaltinių, atviros ugnies ar kitų ekstremalių sąlygų.

Nenaudokite įrenginio aplinkoje, kurioje yra didelė drėgmė ar daug dulkių, taip pat esant dideliam oro užterštumui. Įrenginį naudokite tik patalpose.

Neįkiškite jokių metalinių daiktų į įrenginio angas ar tarpus, išskyrus kabelių galus, prijungtus pagal instrukcijas.

Nelieskite jokios įrenginio ar jo priedų dalies šlapiomis rankomis.

Jungdami įrenginį, nespauskite kabelių daugiau, nei nurodo gamintojas, kad išvengtumėte pažeidimų ar deformacijos.

Nebandykite jėga ištraukti kabelių iš lizdų. Kilus problemų, kreipkitės į Tedee palaikymą.

Nenuimkite kabelių izoliacijos, išskyrus kabelių galus, naudojamus įrenginio lizduose.





Jei įmanoma, neįrengkite įrenginio vaikams ar gyvūnams pasiekiamoje vietoje.

Jei gyvūnas ar vaikas pažeidžia įrenginio vientisumą (pvz., sulūžta korpusas), nutraukite įrenginio naudojimą ir kreipkitės į Tedee techninį palaikymą.

Įrenginio neturėtų naudoti jaunesni nei 13 metų vaikai be suaugusiojo priežiūros.

Nesidalykite savo Tedee programėlės prisijungimo duomenimis ir nesuteikite nuotolinės prieigos prie savo patalpų neįgaliojiems asmenims. Gamintojas neatsako už žalą, atsiradusią suteikus prieigą neįgaliojiems asmenims.

ĮSPĖJIMAS: Tedee Dry Contact gali patirti techninį gedimą, todėl gali nepavykti atidaryti durų spynos. Visada turėkite su savimi išmanųjį telefoną ir durų spynos raktą arba laikykite juos lengvai pasiekiamoje vietoje, kad įvykus tokiam įrenginio gedimui duris būtų galima atrakinti rankiniu būdu.

Darykite

Griežtai laikykitės montavimo vadovo ir saugos priemonių. Jei kyla abejonų, kreipkitės į Tedee techninį palaikymą.

Jei reikalingas remontas, kreipkitės į Tedee techninį palaikymą.

Naudokite tik Tedee nurodytą maitinimo įtampą. Nesilaikant, įrenginys gali būti sugadintas, o tokia žala nebus dengiama garantijos.

Kita informacija

Nesilaikant šiame vadove pateiktų rekomendacijų, gali kilti pavojus arba būti pažeisti įstatymai. Gamintojas neatsako už jokių nuostolių ar žalą, atsiradusių nesilaikant šių instrukcijų.

Šį įrenginį saugu naudoti įprastomis sąlygomis ir esant pagrįstai numatomam netinkamam naudojimui. Pastebėję bet kokius klaidų požymius ar aparatinės įrangos gedimus, kreipkitės į Tedee techninį palaikymą. Tokiu atveju įrenginį reikia grąžinti Tedee, kad būtų atliktas reikalingas remontas pagal garantijos sąlygas. Bet kokie įrenginio aparatinės ar programinės įrangos pakeitimai ar modifikacijos, kurių Tedee nepatvirtino, nerekomendavo ar nepateikė, gali panaikinti garantiją.

58

Įrenginiui tinkamai veikti reikalingas maitinimo šaltinis ir Bluetooth® ryšys. Norint susieti įrenginį su Tedee Bridge, kai kurioms funkcijoms reikalingas interneto ryšys. Gamintojas neatsako už galimas patalpų prieigos problemas, atsiradusias dėl interneto ryšio nebuvimo arba maitinimo šaltinio gedimo ar išsekimo.

Šis įrenginys nėra skirtas naudoti kaip namų apsaugos sistemos dalis. Gamintojas nedeklaruoja jokių nuo įsilaužimo apsaugančių savybių, atestatų, sertifikatų ar įsilaužimo apsaugos klasių. Gamintojas neatsako už galimą žalą / sužalojimus dėl vagystės, įsilaužimo ar įsibrovimo, atsiradusių dėl įrenginio sugadinimo, įveikimo ar neteisėto valdymo perėmimo.

Kai kurioms funkcijoms įjungti gali reikėti įsigyti papildomų produktų. Jei kyla abejonų, kreipkitės į Tedee palaikymą.

Prisijungus įrenginį prie maitinimo šaltinio, kuris neatitinka EN 50081-1, EN 50082-1, UL508 ir EN 60950 specifikacijų, garantija gali būti panaikinta.

Priežiūra

Prieš valydami atjunkite gaminį nuo maitinimo šaltinio. Nenaudokite jokių tepalų, valymo priemonių, poliravimo priemonių ar oro gaiviklių ant jokios įrenginio dalies. Valykite tik sausa šluoste.

Jungdami įrenginį, niekada nenaudokite pažeistų kabelių.

Nebandykite ardyti kabelio, nes taip galite patirti elektros smūgį.

Techninė informacija

Įrenginio specifikacija

Matmenys: 44,5 × 57,5 × 16 mm

Maitinimo įtampa: 5–60 V DC

Įėjimų skaičius: 2

Įėjimo tipas: Normally Open (paprastai atviras)



Išėjimų skaičius: 2

Išėjimo tipas: Normally Open (paprastai atviras)

Korpuso medžiaga: PC+ABS

Bluetooth ryšys: BLE 5.2, 2,4 GHz

Darbinė temperatūra: 0–60 °C

Darbinė drėgmė: 0–90 %

Suderinama su Tedee įrenginiais: Tedee PRO, Tedee GO2, Tedee GO, Tedee Bridge

Teisinės / aplinkosauginės pastabos



ES atitikties deklaracija

Tedee Sp. z o.o. pareiškia, kad Tedee Dry Contact TDCV1.0 radijo įrenginys atitinka Direktyvą 2014/53/ES. Visas ES atitikties deklaracijos tekstas pateikiamas šiuo interneto adresu: <https://tedee.com/compliance>



Įrenginys pažymėtas perbraukto ratinio konteinerio simboliu – jo negalima išmesti su buitinėmis atliekomis.

Naudotą įrangą reikia pristatyti į įgaliotą elektros ir elektroninės įrangos atliekų (WEEE) surinkimo punktą.

WEEE / RoHS

Siekiant išvengti galimo neigiamo poveikio aplinkai, susipažinkite su vietos įstatymais ir taisyklėmis dėl tinkamo elektroninių įrenginių ir baterijų šalinimo jūsų šalyje.

Baterijų šalinimas – jei jūsų Tedee įrenginyje yra baterijų, nemeskite jų su įprastomis buitinėmis atliekomis. Atiduokite jas į atitinkamą perdirbimo ar surinkimo punktą. Tedee įrenginiuose naudojamose baterijose nėra gyvsidabrio, kadmio ar švino virš 2006/66/EB direktyvoje nurodytų lygių.

Elektronikos šalinimas – nemeskite Tedee įrenginio su įprastomis buitinėmis atliekomis. Atiduokite jį į atitinkamą perdirbimo ar surinkimo punktą.



Bluetooth®

Bluetooth® žodinis ženklas ir logotipai priklauso Bluetooth SIG, Inc., o Tedee Sp. z o.o. naudoja šiuos ženklus pagal licenciją.

Google

Google, Android ir Google Play yra Google LLC prekių ženklai.

Apple

Apple ir App Store yra Apple Inc. prekių ženklai. iOS yra Cisco prekių ženklas arba registruotas prekių ženklas JAV ir kitose šalyse ir naudojamas pagal licenciją.

tedee® yra registruotasis „Tedee Sp. z o.o.“ prekės ženklas. Autorių teisės (C) 2022. Visos teisės saugomos.

Kiti prekių ženklai ir prekių pavadinimai priklauso atitinkamiems jų savininkams.

Garantija



Tedee ribota aparatūros garantija

Tedee Sp. z o.o. garantuoja, kad Tedee įrenginiai neturi aparatūros defektų medžiagose ir gamybos kokybėje ne trumpiau kaip 2 metus nuo pirmojo mažmeninio pirkimo datos.

Tedee Sp. z o.o. neprisiima atsakomybės už netinkamą įrenginių naudojimą (įskaitant įkrovimo būdus, kitus nei aprašyti šiame leidinyje), ypač jei naudotojas atliko bet kokius įrenginio aparatinės ar programinės įrangos pakeitimus ar modifikacijas, kurių Tedee nepatvirtino, nerekomendavo ar nepateikė.

Visa garantijos informacija pateikiama: www.tedee.com/warranty, gamintojo būstinės adresu, nurodytu ant pakuotės, ir el. paštu support@tedee.com.

Techninė pagalba

El. paštas: support@tedee.com

Svetainė: www.tedee.com/support

Telefonas: (+48) 22 307 72 67

Darbo laikas: 8:00 – 16:00 (CET)

Pašto adresas: Tedee Sp. z o.o., Karola Bohdanowicza 21/57, 02-127 Warsaw, Lenkija

LV: Drošības informācija

BRĪDINĀJUMS: Izlasiet visas drošības vadlīnijas un brīdinājumus. Drošības vadlīniju un brīdinājumu neievērošana var izraisīt elektrošoku, ugunsgrēku un/vai smagus ievainojumus.

Saglabājiet šīs instrukcijas turpmākai lietošanai.

Lai piekļūtu jaunākajai, atjauninātajai šo instrukciju versijai, apmeklējiet: <https://tedee.com/support>

60

BRĪDINĀJUMS: Pievienojiet ierīci tikai saskaņā ar šajā rokasgrāmatā sniegtajām instrukcijām.

Nepareizi savienojumi var izraisīt ugunsgrēku vai elektrošoku, sabojāt ierīci un anulēt produkta garantiju. Ja rodas šaubas, sazinieties ar kvalificētu elektrīķi vai ražotāju.

BĪSTAMI! ELEKTROŠOKA RISKS!

NEAIZTIECIET savas instalācijas iezes bez atbilstošas izolācijas (piem., gumijas cimdium). Pat tad, ja ierīce ir izslēgta, izejas var joprojām būt zem sprieguma (aktīvi pārvadīt elektrību). Visi uzstādīšanas darbi **VIENMĒR** jāveic ar atvienotu barošanas ķēdi.

NEKAD nepievienojiet ierīci tieši elektrotīkla kontaktligzdai vai 230V/110V barošanas avotam. Augsts letāla elektrošoka un/vai ugunsgrēka risks.

Nedrīkst

Neatveriet, nemodificējiet un neizjauciet ierīci vai tās piederumus.

Nekādā gadījumā neveiciet ierīces apkopi pašī. Ja nepieciešams remonts, lūdzu, sazinieties ar Tedee tehnisko atbalstu: <https://tedee.com/>

Neiegremdējiet ierīci šķidrumā vai ūdenī un nepakļaujiet to mitrumam.

Nelietojiet ierīci tuvu ekstremālam karstuma avotam (piem., radiatoram vai dūmvadam), aukstuma avotam, atklātai liesmai vai citos ekstremālos apstākļos.

Nelietojiet ierīci vidē ar augstu mitrumu vai putekļu līmeni, kā arī augstu gaisa piesāņojumu. Ierīci lietojiet tikai telpās.

Neievietojiet metāla priekšmetus ierīces atverēs vai spraugās, izņemot kabeļu galus, kas pievienoti saskaņā ar instrukcijām.

Neapstrādājiet nevienu ierīces vai tās piederumu daļu ar slapjām rokām.

Savienojot ierīci, neizdariet spiedienu uz kabeļiem vairāk, nekā norādījis ražotājs, lai nepieļautu bojājumus vai deformāciju.



Nemēģiniet ar spēku izvilkēt kabelus no ligzdām. Problēmu gadījumā sazinieties ar Tedeo atbalstu.

Nenoņemiet kabeļu izolāciju, izņemot kabeļu galus, kas tiek izmantoti ierīces ligzdās.

Ja iespējams, neuzstādiet ierīci bērniem vai dzīvniekiem sasniedzamā vietā.

Ja dzīvnieks vai bērns sabojā ierīces integritāti (piem., saplīst korpusu), pārtrauciet ierīces lietošanu un sazinieties ar Tedeo tehnisko atbalstu.

Ierīci nedrīkst lietot bērni, kas jaunāki par 13 gadiem, bez pieaugušu uzraudzības.

Nedalieties ar Tedeo lietotnes pieteikšanās datiem un nepiešķiriet attālinātu piekļuvi savām telpām neautorizētām personām. Ražotājs neuzņemas atbildību par bojājumiem, kas radušies, piešķirot piekļuvi neautorizētām personām.

BRĪDINĀJUMS: Tedeo Dry Contact var piedzīvot tehnisku kļūmi, tāpēc tas var nespēt atvērt jūsu durvju slēdzeni. Vienmēr nēsājiet līdzīgu viedtālruni un durvju slēdzenes atslēgu vai atstājiet tos pieejamā vietā, lai ierīces kļūmes gadījumā durvis varētu atslēgt manuāli.

Jādara

Rūpīgi ievērojiet uzstādīšanas rokasgrāmatu un drošības pasākumus. Ja rodas šaubas, sazinieties ar Tedeo tehnisko atbalstu.

Ja nepieciešams remonts, lūdzu, sazinieties ar Tedeo tehnisko atbalstu.

Izmantojiet tikai Tedeo norādīto barošanas spriegumu. Neievērošana var izraisīt ierīces bojājumus, kurus garantija nesedz.

Cita informācija

Rokasgrāmatā iekļauto ieteikumu neievērošana var būt bīstama vai izraisīt likuma pārkāpumu. Ražotājs nav atbildīgs par jebkādiem zaudējumiem vai bojājumiem, kas radušies šo instrukciju neievērošanas rezultātā.

Šī ierīce ir droša lietošanai normālos apstākļos un saprātīgi paredzamās nepareizas lietošanas gadījumos. Ja pamanāt kļūdu pazīmes vai aparatūras darbības

traucējumus, sazinieties ar Tedeo tehnisko atbalstu. Šādā gadījumā ierīce jāatgriež Tedeo, lai veiktu nepieciešamo remontu saskaņā ar garantijas nosacījumiem. Jebkādas ierīces aparatūras vai programmatūras izmaiņas/modifikācijas, kuras Tedeo nav apstiprinājis, ieteicis vai nodrošinājis, var anulēt garantiju.

Ierīces pareizai darbībai nepieciešams barošanas avots un Bluetooth® savienojums. Lai sapārotu ierīci ar Tedeo Bridge, dažām funkcijām nepieciešams interneta savienojums. Ražotājs nav atbildīgs par iespējam piekļuves problēmām telpām interneta trūkuma vai barošanas avota atteices/izsūkuma dēļ.

Šī ierīce nav paredzēta izmantošanai kā mājas drošības sistēmas sastāvdaļa. Ražotājs nedeklarē nekādas pretielaušanās īpašības, apliecinājumus, sertifikātus vai pretielaušanās aizsardzības klases. Ražotājs nav atbildīgs par iespējamajiem bojājumiem/ievainojumiem zādzības, ielaušanās vai iebrukuma rezultātā, kas radies ierīces bojājuma, apiešanas vai neatļautas kontroles iegūšanas dēļ.

Lai aktivizētu dažas funkcijas, var būt nepieciešams iegādāties papildu produktus. Ja rodas šaubas, sazinieties ar Tedeo atbalstu.

Ierīces pieslēgšana barošanas avotam, kas neatbilst EN 50081-1, EN 50082-1, UL508 un EN 60950 specifikācijām, var anulēt garantiju.

Apkope

Pirms tīrīšanas atvienojiet produktu no barošanas avota. Nelietojiet smērvielas, tīrīšanas līdzekļus, pulēšanas līdzekļus vai gaisa atsvaidzinātājus uz jebkuras ierīces daļas. Slaukiet tikai ar sausu drānu.

Nekad nelietojiet bojātus kabelus, pieslēdzot ierīci.

Nemēģiniet izjaukt kabeli, jo tas var pakļaut jūs elektrošokam.

Tehniskā informācija

Ierīces specifikācija

Izmēri: 44,5 × 57,5 × 16 mm



Barošanas spriegums: 5–60 V DC

Ieeju skaits: 2

Ieejas tips: Normally Open (parasti atvērts)

Izeju skaits: 2

Izejas tips: Normally Open (parasti atvērts)

Korpusa materiāls: PC+ABS

Bluetooth sakari: BLE 5.2, 2,4 GHz

Darba temperatūra: 0–60 °C

Darba mitrums: 0–90%

Saderīgs ar Tedee ierīcēm: Tedee PRO, Tedee GO2, Tedee GO, Tedee Bridge

Juridiskās / vides piezīmes



ES atbilstības deklarācija

Tedee Sp. z o.o. ar šo paziņo, ka Tedee Dry Contact TDCV1.0 radioiekārta atbilst Direktīvai 2014/53/ES. Pilns ES atbilstības deklarācijas teksts pieejams šajā internetā adresē: <https://tedee.com/compliance>.



62



Ierīce ir marķēta ar pārsvītrotas atkritumu tvertnes simbolu – to nedrīkst izmest kopā ar sadzīves atkritumiem.

Lietotā iekārta jānogādā autorizētā elektrisko un elektronisko iekārtu atkritumu (WEEE) savākšanas punktā.

WEEE / RoHS

Lai novērstu iespējamu negatīvu ietekmi uz vidi, iepazīstieties ar vietējiem likumiem un noteikumiem par elektronisko ierīču un bateriju pareizu utilizāciju jūsu valstī.

Bateriju utilizācija – ja jūsu Tedee ierīce satur baterijas, neizmetiet tās kopā ar parastajiem sadzīves atkritumiem. Nododiet tās atbilstošā pārstrādes vai savākšanas punktā. Tedee ierīcēs izmantotās baterijas nesatur dzīvsudrabu, kadmiju vai svīnu virs 2006/66/EC direktīvā noteiktajiem līmeņiem.

Elektronikas utilizācija – neizmetiet Tedee ierīci kopā ar parastajiem sadzīves atkritumiem. Nododiet to atbilstošā pārstrādes vai savākšanas punktā.



Bluetooth®

Bluetooth® vārdiskais apzīmējums un logotipi pieder Bluetooth SIG, Inc., un jebkāda šo zīmju izmantošana, ko veic Tedee Sp. z o.o., notiek saskaņā ar licenci.

Google

Google, Android un Google Play ir Google LLC preču zīmes.

Apple

Apple un App Store ir Apple Inc. preču zīmes. iOS ir Cisco preču zīme vai reģistrēta preču zīme ASV un citās valstīs un tiek lietota saskaņā ar licenci.



tedee® ir uzņēmuma Tedee Sp. z o.o. reģistrēta preču zīme. Autortiesības (C) 2022. Visas tiesības aizsargātas.

Citas preču zīmes un tirdzniecības nosaukumi pieder to attiecīgajiem īpašniekiem.

Garantija

Tedee ierobežotā aparatūras garantija

Tedee Sp. z o.o. garantē, ka Tedee ierīcēm nav aparatūras defektu materiālos un izgatavošanā vismaz 2 gadus no pirmā mazumtirdzniecības pirkuma datuma.

Tedee Sp. z o.o. neuzņemas atbildību par ierīču neatbilstošu lietošanu (tostarp uzlādes metodēm, kas atšķiras no šajā bukletā aprakstītajām), īpaši, ja lietotājs ir veicis ierīces aparatūras vai programmatūras izmaiņas vai modifikācijas, kuras Tedee nav apstiprinājis, ieteicis vai nodrošinājis.

Pilna garantijas informācija pieejama: www.tedee.com/warranty, kā arī ražotāja galvenā biroja adresē, kas norādīta uz iepakojuma, un pa e-pastu: support@tedee.com.

Tehniskais atbalsts

E-pasts: support@tedee.com

Tīmekļa vietne: www.tedee.com/support

Tālrunis: (+48) 22 307 72 67

Darba laiks: 8:00 – 16:00 (CET)

Pasts: Tedee Sp. z o.o., Karola Bohdanowicza 21/57, 02-127 Warsaw, Poland

MT: Informazzjoni dwar is-Sigurtà

TISSSIJA: Aqra l-linji gwida u t-twissijiet kollha tas-sigurtà. In-nuqqas li ssegwihom jista' jwassal għal xokk elettriku, nar, u/jew korriment serju.

Żomm dawn l-istruzzjonijiet għal użu fil-futur.

Biex taċċessa l-aħħar verżjoni aġġornata ta' dawn l-istruzzjonijiet, żur: <https://tedee.com/support>

TISSSIJA: Qabbad l-apparat biss skont l-istruzzjonijiet mogħtija f'dan il-manwal.

Konnessjonijiet hżiena jistgħu jikkawżaw nar jew xokk elettriku, jagħmlu ħsara lill-apparat u jannullaw il-garanzija tal-prodott. Jekk għandek dubju, ikkuntattja elettricista kwalifikat għal għajjnuna jew lill-manifattur.

PERIKLU! RISKJU TA' XOKK ELETRIKU!

TISSSX l-outputs tal-installazzjoni tiegħek mingħajr insulazzjoni xierqa (eż. ingwanti tal-gomma). Anke meta l-apparat ikun mitfi, l-outputs xorta jistgħu jkunu taħt voltagġ (jitrasmettu l-elettriku b'mod attiv). Ix-xogħol kollu tal-installazzjoni għandu **DEJJEM** isir bil-kurrent/cirkwit tal-enerġija skonnnettjat.

QATT tqabbad l-apparat direttament ma' sokit elettriku jew ma' provvista tal-enerġija 230V/110V. Riskju għoli ta' elettrokuzzjoni u/jew nar.

Tagħmilx

Tiftaħx, timmodifikax jew tiżżarmax l-apparat jew l-aċċessorji tiegħu.

Tisservjax waħdek ebda parti mill-apparat. Jekk ikun meħtieġ tiswija, jekk jogħġbok ikkuntattja l-appoġġ tekniku ta' Tedee fuq: <https://tedee.com/>

Tgħaddasx l-apparat f'xi likwidu jew ilma, u tesponihx għall-umdità.

Tużax l-apparat qrib sors ta' shana estrema (bħal radjatur jew ċumnija), sors ta' kesha, nar miftuħ jew kundizzjonijiet estremi oħra.

Tużax l-apparat f'ambjent b'umdità għolja jew livelli għoljin ta' trab, jew b'tniġġis għoli tal-arja. Uża l-apparat gewwa biss.

Dahħalx oġġetti tal-metall f'fethiet jew xquq tal-apparat, hliet għat-truf tal-kejbil imqabba skont l-istruzzjonijiet.



Tmissx xi parti tal-apparat jew l-aċċessorji tiegħu b'idejn imxarrbin.

Tapplikax pressjoni fuq il-kejbils waqt il-konnessjoni tal-apparat lill hinn minn dak speċifikat mill-manifattur, biex tevita ħsara jew deformazzjoni.

Tipprovax tneħhi l-kejbils bil-forza mis-sokits tagħhom. F'każ ta' diffikultà, ikkuntattja l-appoġġ ta' Tedee.

Tneħhix l-insulazzjoni mill-kejbils ħlief fit-truf tal-kejbil użati fis-sokits tal-apparat.

Tinstallax l-apparat fejn jista' jintlaħaq mit-tfal jew mill-annimali, jekk possibbli.

Jekk annimal jew tifel/tifla jħassar l-integrità tal-apparat (perezempju, jinkiser il-kisi), waqqaf l-użu tal-apparat u ikkuntattja l-appoġġ tekniku ta' Tedee.

L-apparat m'għandux jintuża minn tfal taħt it-13-il sena mingħajr superviżjoni ta' adult.

Taqsamx il-kredenzjali tal-login tal-applikazzjoni Tedee tiegħek u lanqas tagħti aċċess remot għall-post tiegħek lil persuni mhux awtorizzati. Il-manifattur ma jkunx responsabbli għal ħsara kkawżata minn aċċess mogħti lil persuni mhux awtorizzati.

TWISSIJA: Tedee Dry Contact jista' jsufri minn falliment tekniku, u għalhekk jista' ma jkunx jista' jiftaħ is-serratura tal-bieb tiegħek. Dejjem gorr miegħek l-smartphone u ċ-ċavetta tas-serratura tal-bieb jew ħallihom f'post aċċessibbli sabiex il-bieb ikun jista' jinfetaħ manwalment f'każ ta' zball bħal dan.

Aghmel

Segwi mill-qrib il-manwal tal-installazzjoni u l-prekawzjonijiet tas-sigurtà. Jekk għandek dubju, ikkuntattja l-appoġġ tekniku ta' Tedee.

Jekk ikun meħtieġ tiswija, jekk jogħġbok ikkuntattja l-appoġġ tekniku ta' Tedee.

Uża biss il-vultaġġ tal-provvista tal-enerġija speċifikat minn Tedee. In-nuqqas jista' jikkawża ħsara lill-apparat li mhijiex koperta mill-garanzija.

Informazzjoni oħra

64

In-nuqqas li ssegwi r-rakkomandazzjonijiet f'dan il-manwal jista' jkun perikoluż jew jikkawża ksur tal-liġi. Il-manifattur mhuwiex responsabbli għal kwalunkwe telf jew ħsara li tirriżulta minn nuqqas li jiġu segwiti dawn l-Istruzzjonijiet.

Dan l-apparat huwa sigur biex jintuża taħt kundizzjonijiet normali u f'użu hażin li huwa raġonevolment prevedibbli skont kodici ta' kondotta operattiva. Jekk tinnota xi sinjali ta' zballji jew ta' ħsara fil-hardware, ikkuntattja l-appoġġ tekniku ta' Tedee għall-ghajnun. F'dan il-każ, l-apparat għandu jintbagħat lura lill Tedee għat-tiswija meħtieġa skont il-kundizzjonijiet tal-garanzija. Kwalunkwe bidla jew modifika fil-hardware jew fis-software tal-apparat li ma tkunx approvata, rakkomandata jew iprovvduta minn Tedee tista' tħassar il-garanzija tiegħek.

Dan l-apparat jeħtieġ sors ta' enerġija u konnessjoni Bluetooth® biex jaħdem kif suppost. Biex tqabbad l-apparat ma' Tedee Bridge, hija meħtieġa konnessjoni tal-Internet biex jintużaw xi karatteristiċi tal-apparat. Il-manifattur mhuwiex responsabbli għal problemi potenzjali ta' aċċess għall-kamra li jirriżultaw min-nuqqas ta' aċċess għall-Internet jew minn falliment/tahsir tal-provvista tal-enerġija.

Dan l-apparat mhuwiex maħsub biex jintuża bħala parti minn sistema ta' sigurtà tad-dar. Il-manifattur ma jiddikjarax proprjetajiet kontra s-serq u lanqas attestazzjonijiet, ċertifikati jew klassijiet ta' protezzjoni kontra s-serq għall-apparat. Il-manifattur ma jkunx responsabbli għal kwalunkwe ħsara/korrimment li jista' jseħh minhabba serq, burglary jew intrużjoni li tirriżulta minn ħsara, bypass jew kontroll miksub mingħajr awtorizzazzjoni tal-apparat.

Dan l-apparat jista' jeħtieġ ix-xiri ta' prodotti addizzjonali biex jippermetti xi karatteristiċi tiegħu. Jekk għandek dubju, jekk jogħġbok ikkuntattja l-appoġġ ta' Tedee.

Il-konnessjoni tal-apparat ma' provvista tal-enerġija li ma tissodisfax l-ispeċifikazzjonijiet imniżżla fi-EN 50081-1, EN 50082-1, UL508, u EN 60950 tista' tħassar il-garanzija.

Manutenzjoni

Skonnettja l-prodott mill-provvista tal-enerġija qabel it-tindif. Tużax lubrikanti, aġenti tat-tindif, polishes jew air fresheners fuq kwalunkwe parti tal-apparat. Imħassru



b'drapp niexef biss.

Qatt tuza kejbil bil-hsara meta tqabblad l-apparat.

Tippruvax tizzarma l-kejbil għax dan jista' jesponik għal xokk elettriku.

Informazzjoni teknika

Speċifikazzjoni tal-apparat

Dimensjonijiet: 44.5 × 57.5 × 16 mm

Vultaġġ tal-provvista: 5–60V DC

Numru ta' inputs: 2

Tip ta' input: Normally Open

Numru ta' outputs: 2

Tip ta' output: Normally Open

Materjal tal-korp: PC+ABS

Komunikazzjoni Bluetooth: BLE 5.2, 2.4GHz

Temperatura ta' thaddim: 0–60°C

Umdità ta' thaddim: 0–90%

Kompatibbli ma' apparati Tedee: Tedee PRO, Tedee GO2, Tedee GO, Tedee Bridge

Noti legali / ambjentali



Dikjarazzjoni ta' Konformità tal-UE



Tedee Sp. z o.o. b'dan tiddikjara li l-apparat tar-radju Tedee Dry Contact TDCV1.0 huwa konformi mad-Direttiva 2014/53/UE. It-test shih tad-Dikjarazzjoni ta' Konformità tal-UE huwa disponibbli f'dan l-indirizz fuq l-Internet: <https://tedee.com/compliance>.



L-apparat huwa mmarkat bis-simbolu ta' bin bir-roti maqtugħ b'salib – m'għandux jintrema mal-iskart municiġpali.

Tagħmir użat għandu jittiehed f'punt ta' għbir awtorizzat għall-iskart ta' tagħmir elettriku u elettroniku (WEEE).

WEEE / RoHS

Bixx tipprevjeni impatt negattiv potenzjali fuq l-ambjent, ikkonsulta l-ligġijiet u r-regolamenti lokali dwar ir-rimi xieraq ta' apparati elettronici u batteriji f'pajjiżek.

Rimi tal-batteriji – jekk l-apparat Tedee tiegħek ikun fih batteriji, tarmihomx mal-iskart domestiku ordinarju. Għaddihom lil punt xieraq ta' riciklaġġ jew għbir. Il-batteriji użati fl-apparati Tedee ma fihomx merkurju, kadmju jew ċomb 'il fuq mil-livelli speċifikati fid-Direttiva 2006/66/KE.

Rimi tal-elettronika – tarmix l-apparat Tedee tiegħek mal-iskart domestiku ordinarju. Għaddih lil punt xieraq ta' riciklaġġ jew għbir.



Bluetooth®



Il-marka verbali u l-logos Bluetooth® huma proprjetà ta' Bluetooth SIG, Inc., u kwalunkwe użu ta' dawn il-marki minn Tedee Sp. z o.o. jsir taht liċenzja.

Google

Google, Android u Google Play huma trademarks ta' Google LLC.

Apple

Apple u App Store huma trademarks ta' Apple Inc. iOS huwa trademark jew trademark reġistrat ta' Cisco fl-Istati Uniti u f'pajjiżi oħra u jintuża taht liċenzja.

tedee® hija marka kummerċjali reġistrata ta' Tedee Sp. z o.o. Copyright (C) 2022. Id-drittijiet kollha riżervati.

Marki kummerċjali u ismijiet kummerċjali oħra huma ta' sidien rispettivi tagħhom.

Garanzija

Garanzija limitata tal-hardware ta' Tedee

Tedee Sp. z o.o. tiggarantixxi li l-apparati Tedee huma hielsa minn difetti fil-hardware fil-materjali u fil-hidma għal perjodu ta' mhux inqas minn sentejn mid-data tal-ewwel xiri bl-imnut.

Tedee Sp. z o.o. ma tiehux responsabbiltà għall-użu hazin tal-apparati (inklużi metodi ta' ċċarġjar oħra minn dawk deskritti f'dan il-fuljett), speċjalment jekk l-utent ikun wettaq xi bidliet jew modifiki fil-hardware jew fis-software tal-apparat li mhumiex approvati, rakkomandati jew ipprovduti minn Tedee.

Informazzjoni sħiħa dwar il-garanzija hija disponibbli fuq: www.tedee.com/warranty, fil-indirizz tal-kwartieri ġenerali tal-manifattur indikat fuq l-imballaġġ, u fuq: support@tedee.com.

Appoġġ Tekniku

E-mail: support@tedee.com

Websajt: www.tedee.com/support

66



Telefon: (+48) 22 307 72 67

Minijiet: 8:00 – 16:00 (CET)

Posta: Tedee Sp. z o.o., Karola Bohdanowicza 21/57, 02-127 Warsaw, Poland

NL: Veiligheidsinformatie

WAARSCHUWING: Lees alle veiligheidsrichtlijnen en waarschuwingen. Het niet opvolgen van de richtlijnen en waarschuwingen kan leiden tot een elektrische schok, brand en/of ernstig letsel.

Bewaar deze instructies voor toekomstig gebruik.

Ga voor de nieuwste, meest actuele versie van deze instructies naar: <https://tedee.com/support>

WAARSCHUWING: Sluit het apparaat uitsluitend aan volgens de instructies in deze handleiding.

Onjuiste aansluitingen kunnen brand of een elektrische schok veroorzaken, het apparaat beschadigen en de productgarantie ongeldig maken. Neem bij twijfel contact op met een gekwalificeerde elektricien voor ondersteuning of met de fabrikant.

GEVAAR! RISICO OP ELEKTRISCHE SCHOK!

Raak de uitgangen van uw installatie **NIET** aan zonder de juiste isolatie (bijv. rubberen handschoenen). Zelfs wanneer het apparaat is uitgeschakeld, kunnen de uitgangen nog steeds onder spanning staan (actief elektriciteit doorgeven). Alle installatiewerkzaamheden moeten **ALTIJD** worden uitgevoerd terwijl het stroomcircuit is losgekoppeld.

Sluit het apparaat **NOOIT** rechtstreeks aan op een stopcontact of een 230V/110V-voeding. Hoog risico op elektrocutie en/of brand.

Niet doen





Open, wijzig of demonteer het apparaat of de accessoires niet.

Voer geen onderhoud of reparaties aan (onderdelen van) het apparaat zelf uit. Neem voor reparaties contact op met de technische ondersteuning van Tedee via: <https://tedee.com/>

Dompel het apparaat niet onder in vloeistof of water en stel het niet bloot aan vocht.

Gebruik het apparaat niet in de buurt van een extreme warmtebron (zoals een radiator of schoorsteen), koudebron, open vuur of andere extreme omstandigheden.

Gebruik het apparaat niet in een omgeving met hoge luchtvochtigheid of veel stof, of met sterke luchtvervuiling. Gebruik het apparaat uitsluitend binnenshuis.

Steek geen metalen voorwerpen in openingen of kieren van het apparaat, behalve de kabeluiteinden die volgens de instructies zijn aangesloten.

Raak geen enkel onderdeel van het apparaat of de accessoires aan met natte handen.

Oefen tijdens het aansluiten van het apparaat geen druk uit op de kabels die verder gaat dan door de fabrikant is gespecificeerd, om schade of vervorming te voorkomen.

Probeer kabels niet met kracht uit de aansluitingen te trekken. Neem bij problemen contact op met Tedee Support.

Verwijder de isolatie van de kabels niet, behalve aan de kabeluiteinden die in de aansluitingen van het apparaat worden gebruikt.

Installeer het apparaat indien mogelijk niet binnen het bereik van kinderen of dieren.

Als een dier of kind de integriteit van het apparaat beschadigt (bijvoorbeeld als de behuizing breekt), stop dan met het gebruik van het apparaat en neem contact op met de technische ondersteuning van Tedee.

Het apparaat mag niet worden gebruikt door kinderen jonger dan 13 jaar zonder toezicht van een volwassene.

Deel uw inloggegevens voor de Tedee-app niet en verleen geen externe toegang tot uw woning aan onbevoegde personen. De fabrikant is niet aansprakelijk voor schade die ontstaat door het verlenen van toegang tot de woning aan onbevoegde personen.

WAARSCHUWING: Tedee Dry Contact kan een technische storing krijgen, waardoor het mogelijk uw deurslot niet kan openen. Draag daarom altijd uw smartphone en de sleutel van het deurslot bij u, of laat deze op een toegankelijke plaats achter, zodat de deur in geval van een dergelijke apparaatfout handmatig kan worden ontgrendeld.

Doen

Volg de installatiehandleiding en de veiligheidsmaatregelen nauwgezet. Neem bij twijfel contact op met de technische ondersteuning van Tedee.

Neem voor reparaties contact op met de technische ondersteuning van Tedee.

Gebruik uitsluitend de voedingsspanning die door Tedee is gespecificeerd. Anders kan het apparaat beschadigd raken; deze schade valt niet onder de garantie.

Overige informatie

Het niet opvolgen van de aanbevelingen in deze handleiding kan gevaarlijk zijn of een overtreding van de wet veroorzaken. De fabrikant is niet verantwoordelijk voor verlies of schade als gevolg van het niet opvolgen van deze instructies.

Dit apparaat is veilig te gebruiken bij normaal gebruik en bij redelijkerwijs te verwachten onjuist gebruik volgens de geldende gedragsregels voor gebruik. Als u tekenen van fouten of hardwarestoringen opmerkt, neem dan contact op met de technische ondersteuning van Tedee. In dat geval moet dit apparaat worden teruggestuurd naar Tedee voor noodzakelijke reparaties onder de garantievoorwaarden. Wijzigingen of aanpassingen aan de hardware of software van het apparaat die niet door Tedee zijn goedgekeurd, aanbevolen of geleverd, kunnen uw garantie ongeldig maken.

Dit apparaat heeft een voedingsbron en een Bluetooth®-verbinding nodig voor





correct gebruik. Om het apparaat te koppelen met Tedee Bridge is een internetverbinding vereist om sommige functies van het apparaat te gebruiken. De fabrikant is niet verantwoordelijk voor mogelijke toegangsproblemen als gevolg van gebrek aan internettoegang of uitval/uitputting van de voedingsbron.

Dit apparaat is niet bedoeld voor gebruik als onderdeel van een beveiligingssysteem voor woningen. De fabrikant verklaart geen inbraakwerende eigenschappen en verstrekt geen attestaties, certificaten of klassen van inbraakbeveiliging voor het apparaat. De fabrikant is niet aansprakelijk voor eventuele schade/letsels als gevolg van diefstal, inbraak of binnendringing die voortvloeit uit beschadiging, omzeiling of onbevoegde controle over het apparaat.

Voor sommige functies van dit apparaat kan de aanschaf van aanvullende producten nodig zijn. Neem bij twijfel contact op met Tedee Support.

Het aansluiten van het apparaat op een voeding die niet voldoet aan de specificaties zoals uiteengezet in EN 50081-1, EN 50082-1, UL508 en EN 60950 kan de garantie ongeldig maken.

Onderhoud

Koppel het product los van de voeding voordat u het schoonmaakt. Gebruik geen smeermiddelen, reinigingsmiddelen, poetsmiddelen of luchtverfrissers op enig onderdeel van het apparaat. Maak het uitsluitend schoon met een droge doek.

Gebruik nooit beschadigde kabels bij het aansluiten van het apparaat.

Probeer de kabel niet te demonteren, omdat u daardoor blootgesteld kunt worden aan een elektrische schok.

Technische informatie

Apparaatspecificatie

Afmetingen: 44,5 × 57,5 × 16 mm

Voedingsspanning: 5–60 V DC

68

Aantal ingangen: 2

Type ingang: Normally Open

Aantal uitgangen: 2

Type uitgang: Normally Open

Behuizingsmateriaal: PC+ABS

Bluetooth-communicatie: BLE 5.2, 2,4 GHz

Bedrijfstemperatuur: 0–60 °C

Bedrijfsvochtigheid: 0–90%

Compatibel met Tedee-apparaten: Tedee PRO, Tedee GO2, Tedee GO, Tedee Bridge

Juridische / milieunotities



EU-conformiteitsverklaring

Tedee Sp. z o.o. verklaart hierbij dat het radioapparaat Tedee Dry Contact TDCV1.0 in overeenstemming is met Richtlijn 2014/53/EU. De volledige tekst van de EU-conformiteitsverklaring is beschikbaar op het volgende internetadres: <https://tedee.com/compliance>.





Het apparaat is gemarkeerd met een symbool van een doorgestreepte rolcontainer – het mag niet bij het huishoudelijk afval worden weggegooid.

Gebruikte apparatuur moet worden ingeleverd bij een erkend inzamelpunt voor elektrische en elektronische afvalstoffen (AEEA/WEEE).

WEEE / RoHS

Om mogelijke negatieve gevolgen voor het milieu te voorkomen, raadpleeg uw lokale wet- en regelgeving voor de juiste verwijdering van elektronische apparaten en batterijen in uw land.

Afvoer van batterijen – als uw Tedee-apparaat batterijen bevat, gooi deze dan niet weg met het gewone huishoudelijke afval. Lever ze in bij een geschikt recycling- of inzamelpunt. Batterijen die in Tedee-apparaten worden gebruikt, bevatten geen kwik, cadmium of lood boven de niveaus die zijn gespecificeerd in Richtlijn 2006/66/EG.

Afvoer van elektronica – gooi uw Tedee-apparaat niet weg met het gewone huishoudelijke afval. Lever het in bij een geschikt recycling- of inzamelpunt.



Bluetooth®

Het woordmerk en de logo's van Bluetooth® zijn eigendom van Bluetooth SIG, Inc. en elk gebruik van dergelijke merken door Tedee Sp. z o.o. gebeurt onder licentie.

Google

Google, Android en Google Play zijn handelsmerken van Google LLC.

Apple

Apple en App Store zijn handelsmerken van Apple Inc. iOS is een handelsmerk of geregistreerd handelsmerk van Cisco in de VS en andere landen en wordt onder

licentie gebruikt.

tedee® is een geregistreerd handelsmerk van Tedee Sp. z o.o. Copyright (C) 2022. Alle rechten voorbehouden.

Andere handelsmerken en handelsnamen zijn eigendom van hun respectieve eigenaren.

Garantie

Bepaalde hardwaregarantie van Tedee

Tedee Sp. z o.o. garandeert dat Tedee-apparaten vrij zijn van hardwaredefecten in materiaal en vakmanschap voor een periode van minimaal 2 jaar vanaf de datum van de eerste aankoop door de eindgebruiker.

Tedee Sp. z o.o. aanvaardt geen verantwoordelijkheid voor verkeerd gebruik van apparaten (inclusief andere oplaadmethoden dan beschreven in dit boekje), vooral als de gebruiker wijzigingen of aanpassingen aan de hardware of software van het apparaat heeft aangebracht die niet door Tedee zijn goedgekeurd, aanbevolen of geleverd.

Volledige garantie-informatie is beschikbaar op: www.tedee.com/warranty, op het adres van het hoofdkantoor van de fabrikant dat op de verpakking staat vermeld, en via: support@tedee.com.

Technische ondersteuning

E-mail: support@tedee.com

Website: www.tedee.com/support

Telefoon: (+48) 22 307 72 67

Openingstijden: 8:00 – 16:00 (CET)

Postadres: Tedee Sp. z o.o., Karola Bohdanowicza 21/57, 02-127 Warsaw, Poland





NO: Sikkerhetsinformasjon

ADVARSEL: Les alle sikkerhetsretningslinjer og advarsler. Manglende etterlevelse av retningslinjene og advarslene kan føre til elektrisk støt, brann og/eller alvorlig personskade.

Ta vare på disse instruksjonene for fremtidig bruk.

For å få tilgang til den nyeste, mest oppdaterte versjonen av disse instruksjonene, besøk: <https://tedee.com/support>

ADVARSEL: Koble til enheten kun i henhold til instruksjonene i denne håndboken.

Feil tilkoblinger kan forårsake brann eller elektrisk støt, skade enheten og ugyldiggjøre produktgarantien. Ved tvil, kontakt en kvalifisert elektriker for støtte eller produsenten.

FARE! RISIKO FOR ELEKTRISK STØT!

IKKE berør utgangene i installasjonen din uten riktig isolasjon (f.eks. gummihansker). Selv når enheten er slått av, kan utgangene fortsatt være spenningsatt (aktivt overføre strøm). Alt installasjonsarbeid skal **ALLTID** utføres med strømkursen frakoblet.

Koble **ALDRI** enheten direkte til en stikkontakt eller en 230V/110V strømforsyning. Høy risiko for elektrisk støt og/eller brann.

Ikke gjør

Ikke åpne, endre eller demonter enheten eller tilbehøret.

Ikke utfør service på noen del av enheten selv. Hvis reparasjoner er nødvendige, kontakt Tedee teknisk support på <https://tedee.com/>

Ikke senk enheten i væske eller vann, og ikke utsett den for fukt.

Ikke bruk enheten i nærheten av ekstreme varmekilder (som radiator eller skorstein), kuldekilder, åpen flamme eller andre ekstreme forhold.

70

Ikke bruk enheten i et miljø med høy luftfuktighet eller mye støv, eller med høy luftforurensning. Bruk enheten kun innendørs.

Ikke sett metallgjenstander inn i åpninger eller sprekker i enheten, unntatt kabelender som er koblet til i henhold til instruksjonene.

Ikke håndter noen del av enheten eller tilbehøret med våte hender.

Ikke påfør trykk på kablene under tilkobling av enheten utover det produsenten angir, for å forhindre skade eller deformasjon.

Ikke forsøk å trekke kabler med makt ut av kontaktene. Ved problemer, kontakt Tedee support.

Ikke fjern isolasjonen fra kablene, unntatt ved kabelendene som brukes i enhetens kontakter.

Ikke installer enheten innen rekkevidde for barn eller dyr, hvis mulig.

Hvis et dyr eller barn skader enhetens integritet (for eksempel at kapslingen sprekker), slutt å bruke enheten og kontakt Tedee teknisk support.

Enheten skal ikke brukes av barn under 13 år uten tilsyn av en voksen.

Ikke del innloggingsopplysningene dine til Tedee-appen eller gi fjernadgang til lokalene dine til uautoriserte personer. Produsenten er ikke ansvarlig for skade som skyldes at tilgang til lokalene gis til uautoriserte personer.

ADVARSEL: Tedee Dry Contact kan få teknisk feil, og kan derfor hende den ikke kan åpne dørlåsen din. Ha alltid med deg smarttelefonen og nøkkelen til dørlåsen, eller legg dem på et tilgjengelig sted slik at døren kan låses opp manuelt ved en slik enhetsfeil.

Gjør

Følg installasjonshåndboken og sikkerhetstiltakene nøye. Ved tvil, kontakt Tedee teknisk support.

Hvis reparasjoner er nødvendige, kontakt Tedee teknisk support.





Bruk kun den strømforsyningsspenningen som er angitt av Tedee. Manglende etterlevelse kan skade enheten, og dette dekkes ikke av garantien.

Annen informasjon

Å ikke følge anbefalingene i denne håndboken kan være farlig eller føre til lovbrudd. Produsenten er ikke ansvarlig for tap eller skade som følge av at disse instruksjonene ikke følges.

Denne enheten er trygg å bruke ved normal bruk og rimelig forutsigbar feilbruk i henhold til gjeldende brukskodeks. Hvis du oppdager tegn på feil eller maskinvarefeil, kontakt Tedee teknisk support for hjelp. I så fall skal enheten returneres til Tedee for nødvendige reparasjoner under garantiens vilkår. Enhver endring eller modifikasjon av enhetens maskinvare eller programvare som ikke er godkjent, anbefalt eller levert av Tedee, kan ugyldiggjøre garantien.

Denne enheten krever strømforsyning og Bluetooth®-tilkobling for korrekt drift. For å pare enheten med Tedee Bridge kreves en Internett-tilkobling for å bruke enkelte av enhetens funksjoner. Produsenten er ikke ansvarlig for mulige tilgangsproblemer som skyldes manglende internettilgang eller svikt/utlading av strømforsyningen.

Denne enheten er ikke beregnet for bruk som del av et hjemmealarmsystem. Produsenten erklærer ingen innbruddssikrende egenskaper eller attestasjoner, sertifikater eller klasser for innbruddsbeskyttelse for enheten. Produsenten er ikke ansvarlig for eventuell skade/skade på person som følge av tyveri, innbrudd eller inntrenging som skyldes skade, omgåelse eller uautorisert kontroll over enheten.

Denne enheten kan kreve kjøp av ekstra produkter for å aktivere enkelte funksjoner. Ved tvil, kontakt Tedee support.

Tilkobling av enheten til en strømforsyning som ikke oppfyller spesifikasjonene angitt i EN 50081-1, EN 50082-1, UL508 og EN 60950 kan ugyldiggjøre garantien.

Vedlikehold

Koble produktet fra strømforsyningen før rengjøring. Ikke bruk smøremidler, rengjøringsmidler, poleringsmidler eller luftfriskere på noen del av enheten. Tørk

kun av med en tørr klut.

Bruk aldri skadde kabler ved tilkobling av enheten.

Ikke forsøk å demontere kabelen, da dette kan utsette deg for elektrisk støt.

Teknisk informasjon

Enhets spesifikasjon

Mål: 44,5 × 57,5 × 16 mm

Forsyningsspenning: 5–60 V DC

Antall innganger: 2

Inngangstype: Normally Open

Antall utganger: 2

Utgangstype: Normally Open

Kapslingsmateriale: PC+ABS

Bluetooth-kommunikasjon: BLE 5.2, 2,4 GHz

Driftstemperatur: 0–60 °C

Driftsfuktighet: 0–90 %

Kompatibel med Tedee-enheter: Tedee PRO, Tedee GO2, Tedee GO, Tedee Bridge

Juridiske / miljømessige merknader



EU-samsvarserklæring



Tedee Sp. z o.o. erklærer herved at radioutstyret Tedee Dry Contact TDCV1.0 er i samsvar med direktiv 2014/53/EU. Den fullstendige teksten til EU-samsvarserklæringen er tilgjengelig på følgende internettadresse: <https://tedee.com/compliance>.



Enheten er merket med et overkrysset avfallsbeholdersymbol – den må ikke kastes sammen med husholdningsavfall.

Brukt utstyr skal leveres til et autorisert innsamlingspunkt for elektrisk og elektronisk avfall (WEEE).

WEEE / RoHS

For å hindre mulig negativ påvirkning på miljøet, rådfør deg med lokale lover og forskrifter for korrekt avhending av elektroniske enheter og batterier i ditt land.

Avhending av batterier – hvis Tedee-enheten din inneholder batterier, må de ikke kastes sammen med vanlig husholdningsavfall. Lever dem til et egnet gjenvinnings- eller innsamlingspunkt. Batterier brukt i Tedee-enheter inneholder ikke kvikksølv, kadmium eller bly over nivåene angitt i direktiv 2006/66/EF.

Avhending av elektronikk – ikke kast Tedee-enheten sammen med vanlig husholdningsavfall. Lever den til et egnet gjenvinnings- eller innsamlingspunkt.



Bluetooth®

Bluetooth®-ordmerket og logoene eies av Bluetooth SIG, Inc., og enhver bruk av slike merker av Tedee Sp. z o.o. skjer under lisens.

72



Google

Google, Android og Google Play er varemerker som tilhører Google LLC.

Apple

Apple og App Store er varemerker som tilhører Apple Inc. iOS er et varemerke eller registrert varemerke som tilhører Cisco i USA og andre land og brukes under lisens.

tedee® er et registrert varemerke som tilhører Tedee Sp. z o.o. Copyright (C) 2022. Alle rettigheter forbeholdt.

Andre varemerker og handelsnavn tilhører sine respektive eiere.

Garanti

Begrenset maskinvaregaranti fra Tedee

Tedee Sp. z o.o. garanterer at Tedee-enheter er fri for maskinvarefeil i materialer og utførelse i en periode på minst 2 år fra datoen for første detaljkjøp.

Tedee Sp. z o.o. tar ikke ansvar for feil bruk av enheter (inkludert andre metoder for lading enn de som er beskrevet i dette heftet), spesielt hvis brukeren har foretatt endringer eller modifikasjoner av enhetens maskinvare eller programvare som ikke er godkjent, anbefalt eller levert av Tedee.

Full garantiinformasjon er tilgjengelig på: www.tedee.com/warranty, på adressen til produsentens hovedkontor angitt på emballasjen, og på support@tedee.com.

Teknisk support

E-post: support@tedee.com

Nettsted: www.tedee.com/support

Telefon: (+48) 22 307 72 67

Åpningstider: 8:00 – 16:00 (CET)

Post: Tedee Sp. z o.o., Karola Bohdanowicza 21/57, 02-127 Warsaw, Poland





PL: Informacje dotyczące bezpieczeństwa

OSTRZEŻENIE: Przeczytaj wszystkie wytyczne i ostrzeżenia dotyczące bezpieczeństwa. Niezastosowanie się do wytycznych i ostrzeżeń może skutkować porażeniem prądem, pożarem i/lub poważnymi obrażeniami.

Zachowaj te instrukcje do wykorzystania w przyszłości.

Aby uzyskać dostęp do najnowszej, najbardziej aktualnej wersji tych instrukcji, odwiedź: <https://tedee.com/support>

OSTRZEŻENIE: Podłącz urządzenie wyłącznie zgodnie z instrukcjami podanymi w niniejszej instrukcji.

Nieprawidłowe podłączenia mogą spowodować pożar lub porażenie prądem, uszkodzić urządzenie i unieważnić gwarancję na produkt. W razie wątpliwości skontaktuj się z wykwalifikowanym elektrykiem w celu uzyskania wsparcia lub z producentem.

NIEBEZPIECZEŃSTWO! RYZYKO PORAŻENIA PRĄDEM!

NIE dotykaj wyjść instalacji bez odpowiedniej izolacji (np. rękawic gumowych). Nawet gdy urządzenie jest wyłączone, wyjścia mogą nadal znajdować się pod napięciem (aktywnie przesyłać energię elektryczną). Wszelkie prace instalacyjne należy **ZAWSZE** wykonywać przy odłączonym obwodzie zasilającym.

NIGDY nie podłączaj urządzenia bezpośrednio do gniazdka elektrycznego ani do zasilania 230V/110V. Wysokie ryzyko porażenia prądem i/lub pożaru.

Nie rób tego

Nie otwieraj, nie modyfikuj ani nie demontuj urządzenia ani jego akcesoriów.

Nie serwisuj samodzielnie żadnej części urządzenia. Jeśli wymagane są naprawy, skontaktuj się z pomocą techniczną Tedee: <https://tedee.com/>

Nie zanurzaj urządzenia w żadnej cieczy ani w wodzie oraz nie narażaj go na działanie wilgoci.

Nie używaj urządzenia w pobliżu źródeł ekstremalnego ciepła (np. grzejnika lub

komina), źródeł zimna, otwartego ognia ani w innych ekstremalnych warunkach.

Nie używaj urządzenia w środowisku o wysokiej wilgotności lub dużym zapyleniu, ani przy wysokim zanieczyszczeniu powietrza. Używaj urządzenia wyłącznie w pomieszczeniach.

Nie wkładaj metalowych przedmiotów do otworów i szczelin urządzenia, z wyjątkiem końcówek przewodów podłączonych zgodnie z instrukcją.

Nie dotykaj żadnej części urządzenia ani jego akcesoriów mokrymi rękami.

Nie wywieraj nacisku na przewody podczas podłączania urządzenia ponad to, co określa producent, aby zapobiec uszkodzeniu lub odkształceniu.

Nie próbuj wyciągać przewodów z gniazd na siłę. W razie problemów skontaktuj się z pomocą Tedee.

Nie zdejmuj izolacji z przewodów, z wyjątkiem końcówek przewodów używanych w gniazdach urządzenia.

Jeśli to możliwe, nie instaluj urządzenia w zasięgu dzieci lub zwierząt.

Jeśli zwierzę lub dziecko uszkodzi integralność urządzenia (np. pęknie obudowa), przestań używać urządzenia i skontaktuj się z pomocą techniczną Tedee.

Urządzenie nie powinno być używane przez dzieci poniżej 13 roku życia bez nadzoru osoby dorosłej.

Nie udostępniaj danych logowania do aplikacji Tedee ani nie przyznawaj zdalnego dostępu do swoich pomieszczeń osobom nieupoważnionym. Producent nie ponosi odpowiedzialności za szkody spowodowane udzieleniem dostępu do pomieszczeń osobom nieupoważnionym.

OSTRZEŻENIE: Tedee Dry Contact może ulec awarii technicznej, przez co może nie być w stanie otworzyć zamka drzwi. Zawsze noś przy sobie smartfon oraz klucz do zamka lub pozostaw je w dostępnym miejscu, aby w razie takiego błędu urządzenia możliwe było ręczne otwarcie drzwi.





Zrób to

Ścisłe przestrzegaj instrukcji instalacji oraz środków ostrożności. W razie wątpliwości skontaktuj się z pomocą techniczną Tedee.

Jeśli wymagane są naprawy, skontaktuj się z pomocą techniczną Tedee.

Używaj wyłącznie napięcia zasilania określonego przez Tedee. Niezastosowanie się może spowodować uszkodzenie urządzenia nieobjęte gwarancją.

Inne informacje

Nieprzebrzeżenie zaleceń zawartych w niniejszej instrukcji może być niebezpieczne lub stanowić naruszenie prawa. Producent nie ponosi odpowiedzialności za straty lub szkody wynikające z nieprzebrzeżenia tych instrukcji.

Urządzenie jest bezpieczne w użytkowaniu przy normalnym stosowaniu oraz przy rozsądnym przewidywalnym nieprawidłowym użyciu zgodnie z zasadami postępowania. Jeśli zauważyłś jakiegokolwiek oznaki błędów lub awarii sprzętowej, skontaktuj się z pomocą techniczną Tedee. W takim przypadku urządzenie należy zwrócić do Tedee w celu dokonania niezbędnych napraw na warunkach gwarancji. Wszelkie zmiany lub modyfikacje sprzętu lub oprogramowania urządzenia, które nie są zatwierdzone, zalecane ani dostarczone przez Tedee, mogą unieważnić gwarancję.

Urządzenie wymaga źródła zasilania oraz połączenia Bluetooth® do prawidłowego działania. Aby sparować urządzenie z Tedee Bridge, wymagane jest połączenie z Internetem do korzystania z niektórych funkcji urządzenia. Producent nie ponosi odpowiedzialności za potencjalne problemy z dostępem do pomieszczenia wynikające z braku dostępu do Internetu lub awarii bądź wyczerpania źródła zasilania.

Urządzenie nie jest przeznaczone do użytku jako element systemu bezpieczeństwa domu. Producent nie deklaruje żadnych właściwości antywłamaniowych ani nie przedstawia atestów, certyfikatów ani klas ochrony antywłamaniowej dla urządzenia. Producent nie ponosi odpowiedzialności za ewentualne szkody/obrażenia powstałe w wyniku kradzieży, włamania lub wtargnięcia wynikającego z uszkodzenia, obejścia zabezpieczeń lub nieuprawnionego przejścia kontroli nad urządzeniem.

74

Urządzenie może wymagać zakupu dodatkowych produktów w celu aktywacji niektórych funkcji. W razie wątpliwości skontaktuj się z pomocą Tedee.

Podłączenie urządzenia do zasilania niespełniającego specyfikacji określonych w EN 50081-1, EN 50082-1, UL508 oraz EN 60950 może unieważnić gwarancję.

Konserwacja

Przed czyszczeniem odłącz produkt od zasilania. Nie używaj smarów, środków czyszczących, past polerskich ani odświeżaczy powietrza na żadnej części urządzenia. Wycieraj wyłącznie suchą ściereczką.

Nigdy nie używaj uszkodzonych przewodów podczas podłączania urządzenia.

Nie próbuj rozmontowywać przewodu, ponieważ może to narazić Cię na porażenie prądem.

Informacje techniczne

Specyfikacja urządzenia

Wymiary: 44,5 × 57,5 × 16 mm

Napięcie zasilania: 5–60 V DC

Liczba wejść: 2

Typ wejść: Normally Open

Liczba wyjść: 2

Typ wyjść: Normally Open

Materiał obudowy: PC+ABS

Komunikacja Bluetooth: BLE 5.2, 2,4 GHz

Temperatura pracy: 0–60°C

Wilgotność pracy: 0–90%





Kompatybilne z urządzeniami Tedee: Tedee PRO, Tedee GO2, Tedee GO, Tedee Bridge

Uwagi prawne / środowiskowe



Deklaracja zgodności UE

Tedee Sp. z o.o. niniejszym oświadcza, że urządzenie radiowe Tedee Dry Contact TDCV1.0 jest zgodne z dyrektywą 2014/53/UE. Pełny tekst deklaracji zgodności UE jest dostępny pod następującym adresem internetowym: <https://tedee.com/compliance>.



Urządzenie jest oznaczone symbolem przekreślonego pojemnika na odpady – nie wolno go wyrzucać wraz z odpadami komunalnymi.

Zużyty sprzęt należy oddać do uprawnionego punktu zbiórki zużytego sprzętu elektrycznego i elektronicznego (WEEE).

WEEE / RoHS

Aby zapobiec potencjalnemu negatywnemu wpływowi na środowisko, zapoznaj się z lokalnymi przepisami dotyczącymi prawidłowej utylizacji urządzeń elektronicznych i baterii w Twoim kraju.

Utylizacja baterii – jeśli urządzenie Tedee zawiera baterie, nie wyrzucaj ich wraz z odpadami domowymi. Przekaż je do odpowiedniego punktu zbiórki lub recyklingu.

Baterie używane w urządzeniach Tedee nie zawierają rtęci, kadmu ani ołowiu powyżej poziomów określonych w dyrektywie 2006/66/WE.

Utylizacja elektroniki – nie wyrzucaj urządzenia Tedee wraz z odpadami domowymi. Przekaż je do odpowiedniego punktu zbiórki lub recyklingu.



Bluetooth®

Znak słowny i logo Bluetooth® są własnością Bluetooth SIG, Inc., a wszelkie wykorzystanie tych znaków przez Tedee Sp. z o.o. odbywa się na podstawie licencji.

Google

Google, Android oraz Google Play są znakami towarowymi Google LLC.

Apple

Apple i App Store są znakami towarowymi Apple Inc. iOS jest znakiem towarowym lub zarejestrowanym znakiem towarowym Cisco w USA i innych krajach i jest używany na podstawie licencji.

tedee® jest zastrzeżonym znakiem towarowym Tedee Sp. z o.o. Copyright (C) 2022. Wszelkie prawa zastrzeżone.

Pozostałe znaki towarowe i nazwy handlowe należą do ich odpowiednich właścicieli.

Gwarancja

Ograniczona gwarancja sprzętowa Tedee

Tedee Sp. z o.o. gwarantuje, że urządzenia Tedee są wolne od wad sprzętowych





materiału i wykonania przez okres nie krótszy niż 2 lata od daty pierwszego zakupu detalicznego.

Tedee Sp. z o.o. nie ponosi odpowiedzialności za niewłaściwe użytkowanie urządzeń (w tym metody ładowania inne niż opisane w niniejszej broszurze), w szczególności jeśli użytkownik dokonał zmian lub modyfikacji sprzętu lub oprogramowania urządzenia, które nie zostały zatwierdzone, zalecane ani dostarczone przez Tedee.

Pełne informacje o gwarancji są dostępne na: www.tedee.com/warranty, pod adresem siedziby producenta wskazanym na opakowaniu oraz pod adresem support@tedee.com.

Wsparcie techniczne

E-mail: support@tedee.com

Strona internetowa: www.tedee.com/support

Telefon: (+48) 22 307 72 67

Godziny pracy: 8:00 – 16:00 (CET)

Adres pocztowy: Tedee Sp. z o.o., Karola Bohdanowicza 21/57, 02-127 Warszawa, Polska

PT: Informações de segurança

AVISO: Leia todas as diretrizes e avisos de segurança. O não cumprimento das diretrizes e avisos pode resultar em choque elétrico, incêndio e/ou ferimentos graves.

Guarde estas instruções para uso futuro.

Para aceder à versão mais recente e atualizada destas instruções, visite: <https://tedee.com/support>

AVISO: Ligue o dispositivo apenas de acordo com as instruções fornecidas neste

76

manual.

Ligações incorretas podem causar incêndio ou choque elétrico, danificar o dispositivo e anular a garantia do produto. Em caso de dúvida, contacte um electricista qualificado para apoio ou o fabricante.

PERIGO! RISCO DE CHOQUE ELÉTRICO!

NÃO toque nas saídas da sua instalação sem a devida isolação (p. ex., luvas de borracha). Mesmo quando o dispositivo está desligado, as saídas podem continuar energizadas (a transmitir eletricidade ativamente). Todo o trabalho de instalação deve ser **SEMPRE** realizado com o circuito de alimentação desligado.

NUNCA ligue o dispositivo diretamente a uma tomada elétrica ou a uma alimentação de 230V/110V. Alto risco de eletrocussão e/ou incêndio.

Não faça

Não abra, modifique ou desmonte o seu dispositivo ou os seus acessórios.

Não efetue a manutenção de qualquer parte do dispositivo por conta própria. Se forem necessárias reparações, contacte o suporte técnico Tedee em <https://tedee.com/>

Não mergulhe o dispositivo em qualquer líquido ou água, nem o exponha à humidade.



Não utilize o dispositivo perto de fontes de calor extremo (como radiador ou chaminé), fontes de frio, fogo aberto ou outras condições extremas.

Não utilize o dispositivo num ambiente com elevada humidade ou níveis de poeira, bem como com elevada poluição do ar. Utilize o dispositivo apenas em interiores.

Não introduza quaisquer objetos metálicos nas aberturas e fendas do dispositivo, exceto as extremidades dos cabos ligados de acordo com as instruções.

Não manuseie qualquer parte do dispositivo ou dos seus acessórios com as mãos molhadas.





Não aplique pressão nos cabos durante a ligação do dispositivo além do especificado pelo fabricante, para evitar danos ou deformação.

Não tente remover os cabos à força das suas tomadas. Em caso de dificuldade, contacte o suporte Tedee.

Não remova o isolamento dos cabos, exceto nas extremidades dos cabos utilizadas nas tomadas do dispositivo.

Não instale o dispositivo ao alcance de crianças ou animais, se possível.

Se um animal ou uma criança danificar a integridade do dispositivo (por exemplo, a caixa partir), pare de utilizar o dispositivo e contacte o suporte técnico Tedee.

O dispositivo não deve ser utilizado por crianças com menos de 13 anos sem supervisão de um adulto.

Não partilhe as credenciais de início de sessão da aplicação Tedee nem conceda acesso remoto às suas instalações a pessoas não autorizadas. O fabricante não será responsável por danos causados pela concessão de acesso às instalações a pessoal não autorizado.

AVISO: O Tedee Dry Contact pode sofrer uma falha técnica, pelo que poderá não conseguir abrir a fechadura da sua porta. Leve sempre consigo o seu smartphone e a chave da fechadura da porta, ou deixe-os num local acessível, para que a porta possa ser destrancada manualmente no caso de ocorrer um erro deste tipo no dispositivo.

Faça

Siga atentamente o manual de instalação e as precauções de segurança. Em caso de dúvida, contacte o suporte técnico Tedee.

Se forem necessárias reparações, contacte o suporte técnico Tedee.

Utilize apenas a tensão de alimentação especificada pela Tedee. A não conformidade pode causar danos no dispositivo, não cobertos pela garantia.



Outras informações

Não seguir as recomendações incluídas neste manual pode ser perigoso ou causar uma violação da lei. O fabricante não é responsável por quaisquer perdas ou danos resultantes do não cumprimento destas instruções.

Este dispositivo é seguro para utilização em condições normais e em caso de uso indevido razoavelmente previsível, de acordo com o código de conduta operacional. Se notar quaisquer sinais de erros ou avaria de hardware, contacte o suporte técnico Tedee para obter ajuda. Nesse caso, este dispositivo deve ser devolvido à Tedee para as reparações necessárias ao abrigo das condições de garantia. Quaisquer alterações ou modificações ao hardware ou software do dispositivo que não sejam aprovadas, recomendadas ou fornecidas pela Tedee podem anular a sua garantia.

Este dispositivo requer uma fonte de alimentação e ligação Bluetooth® para funcionar corretamente. Para emparelhar o dispositivo com o Tedee Bridge, é necessária uma ligação à Internet para utilizar algumas das funcionalidades do dispositivo. O fabricante não é responsável por potenciais problemas de acesso às instalações resultantes da falta de acesso à Internet ou de falha ou esgotamento da fonte de alimentação.

Este dispositivo não se destina a ser utilizado como parte de um sistema de segurança doméstica. O fabricante não declara quaisquer propriedades anti-intrusão nem atestados, certificados ou classes de proteção anti-intrusão para o dispositivo. O fabricante não será responsável por quaisquer potenciais danos/ferimentos sofridos devido a roubo, furto, arrombamento ou intrusão resultantes de danos, superação ou obtenção não autorizada do controlo do dispositivo.

Este dispositivo pode exigir a compra de produtos adicionais para ativar algumas das suas funcionalidades. Em caso de dúvida, contacte o suporte Tedee.

Ligar o dispositivo a uma fonte de alimentação que não cumpra as especificações descritas nas normas EN 50081-1, EN 50082-1, UL508 e EN 60950 pode anular a garantia.

Manutenção



Desligue o produto da fonte de alimentação antes de o limpar. Não utilize quaisquer lubrificantes, agentes de limpeza, polidores ou ambientadores em qualquer parte do dispositivo. Limpe apenas com um pano seco.

Nunca utilize cabos danificados ao ligar o dispositivo.

Não tente desmontar o cabo, pois isso pode expô-lo a choque elétrico.

Informações técnicas

Especificação do dispositivo

Dimensões: 44,5 × 57,5 × 16 mm

Tensão de alimentação: 5–60V DC

Número de entradas: 2

Tipo de entrada: Normalmente Aberto

Número de saídas: 2

Tipo de saída: Normalmente Aberto

Material do corpo: PC+ABS

Comunicação Bluetooth: BLE 5.2, 2,4GHz

Temperatura de funcionamento: 0–60°C

Humidade de funcionamento: 0–90%

Compatível com dispositivos Tedee: Tedee PRO, Tedee GO2, Tedee GO, Tedee Bridge

Notas legais / ambientais



78



Declaração de Conformidade da UE

A Tedee Sp. z o.o. declara, por este meio, que o dispositivo rádio Tedee Dry Contact TDCV1.0 está em conformidade com a Diretiva 2014/53/UE. O texto completo da Declaração de Conformidade da UE está disponível no seguinte endereço na Internet: <https://tedee.com/compliance>.



O dispositivo está marcado com o símbolo do caixote do lixo riscado – não deve ser eliminado com os resíduos urbanos.

O equipamento usado deve ser entregue num ponto de recolha autorizado para resíduos de equipamentos elétricos e eletrónicos (WEEE).

WEEE / RoHS

Para evitar um potencial impacto negativo no ambiente, consulte as leis e regulamentos locais para a eliminação correta de dispositivos eletrónicos e baterias no seu país.

Eliminação de baterias – se o seu dispositivo Tedee contiver baterias, não as elimine com o lixo doméstico comum. Entregue-as no ponto de reciclagem ou recolha adequado. As baterias utilizadas nos dispositivos Tedee não contêm mercúrio, cádmio ou chumbo acima dos níveis especificados na Diretiva 2006/66/CE.

Eliminação de eletrónicos – não elimine o seu dispositivo Tedee com o lixo doméstico.



co comum. Entregue-o no ponto de reciclagem ou recolha adequado.



Bluetooth®

A marca nominativa e os logótipos Bluetooth® são propriedade da Bluetooth SIG, Inc., e qualquer utilização dessas marcas pela Tedee Sp. z o.o. é efetuada sob licença.

Google

Google, Android e Google Play são marcas comerciais da Google LLC.

Apple

Apple e App Store são marcas comerciais da Apple Inc. iOS é uma marca comercial ou marca comercial registada da Cisco nos E.U.A. e noutros países e é utilizada sob licença.

tedee® é uma marca registada da Tedee Sp. z o.o. Copyright (C) 2022. Todos os direitos reservados.

Outras marcas e nomes comerciais pertencem aos seus respetivos proprietários.

Garantia

Garantia limitada de hardware Tedee

A Tedee Sp. z o.o. garante que os dispositivos Tedee estão isentos de defeitos de hardware de materiais e fabrico por um período não inferior a 2 anos a partir da data da primeira compra a retalho.

A Tedee Sp. z o.o. não se responsabiliza pela utilização indevida dos dispositivos (incluindo métodos de carregamento diferentes dos descritos neste folheto),

especialmente se quaisquer alterações ou modificações ao hardware ou software do dispositivo que não sejam aprovadas, recomendadas ou fornecidas pela Tedee tiverem sido realizadas pelo utilizador.

As informações completas sobre a garantia estão disponíveis em: www.tedee.com/warranty, no endereço da sede do fabricante indicado na embalagem e em support@tedee.com.

Suporte técnico

E-mail: support@tedee.com

Website: www.tedee.com/support

Telefone: (+48) 22 307 72 67

Horário: 8:00 – 16:00 (CET)

Correio: Tedee Sp. z o.o., Karola Bohdanowicza 21/57, 02-127 Warsaw, Poland

RO: Informații de siguranță

AVERTISMENT: Citiți toate ghidurile și avertismentele de siguranță. Nerespectarea ghidurilor și avertismentelor poate duce la electrocutare, incendiu și/sau vătămări grave.

Păstrați aceste instrucțiuni pentru utilizare ulterioară.

Pentru a accesa cea mai recentă versiune actualizată a acestor instrucțiuni, vizitați: <https://tedee.com/support>

AVERTISMENT: Conectați dispozitivul numai în conformitate cu instrucțiunile furnizate în acest manual.

Conexiunile incorecte pot provoca incendiu sau electrocutare, pot deteriora dispozitivul și pot anula garanția produsului. Dacă aveți dubii, contactați un electrician calificat pentru asistență sau producătorul.



PERICOLI RISC DE ELECTROCUTARE!

NU atingeți ieșirile instalației dvs. fără izolație corespunzătoare (de ex., mănuși de cauciuc). Chiar și atunci când dispozitivul este oprit, ieșirile pot fi în continuare sub tensiune (transmițând activ electricitate). Toate lucrările de instalare trebuie efectuate **ÎNTOTDEAUNA** cu circuitul de alimentare deconectat.

NU conectați NICIODATĂ dispozitivul direct la o priză electrică sau la o sursă de alimentare de 230V/110V. Risc ridicat de electrocutare și/sau incendiu.

Nu faceți

Nu deschideți, modificați sau dezasamblați dispozitivul sau accesoriile acestuia.

Nu efectuați singur/service pe nicio parte a dispozitivului. Dacă sunt necesare reparații, contactați suportul tehnic Tedee la <https://tedee.com/>

Nu scufundați dispozitivul în lichide sau apă și nu îl expuneți la umezeală.

Nu utilizați dispozitivul lângă surse de căldură extremă (cum ar fi un radiator sau un coș de fum), surse de frig, flacără deschisă sau alte condiții extreme.

Nu utilizați dispozitivul într-un mediu cu umiditate ridicată sau niveluri ridicate de praf, precum și cu poluare mare a aerului. Utilizați dispozitivul numai în interior.

Nu introduceți obiecte metalice în deschiderile și fantele dispozitivului, cu excepția capetelor de cablu conectate conform instrucțiunilor.

Nu manipulați nicio parte a dispozitivului sau a accesoriilor sale cu mâinile ude.

Nu aplicați presiune pe cabluri în timpul conectării dispozitivului peste ceea ce este specificat de producător, pentru a preveni deteriorarea sau deformarea.

Nu încercați să scoateți cablurile cu forța din prizele lor. În caz de dificultăți, contactați suportul Tedee.

Nu îndepărtați izolația cablurilor, cu excepția capetelor de cablu utilizate în prizele dispozitivului.

Nu instalați dispozitivul la îndemâna copiilor sau a animalelor, dacă este posibil.

Dacă un animal sau un copil deteriorează integritatea dispozitivului (de exemplu, carcasa se sparge), opriți utilizarea dispozitivului și contactați suportul tehnic Tedee.

Dispozitivul nu trebuie utilizat de copiii sub 13 ani fără supravegherea unui adult.

Nu partajați datele de autentificare ale aplicației Tedee și nu acordați acces la distanță în spațiile dvs. persoanelor neautorizate. Producătorul nu va fi răspunzător pentru daunele cauzate de acordarea accesului persoanelor neautorizate.

AVERTISMENT: Tedee Dry Contact poate suferi o defecțiune tehnică, astfel încât este posibil să nu poată deschide încuietoarea ușii. Purtați întotdeauna cu dvs. smartphone-ul și cheia încuietorii ușii sau lăsați-le într-un loc accesibil, astfel încât ușa să poată fi deschisă manual în cazul unei astfel de erori a dispozitivului.

Faceți

Respectați îndeaproape manualul de instalare și măsurile de siguranță. Dacă aveți dubii, contactați suportul tehnic Tedee.

Dacă sunt necesare reparații, contactați suportul tehnic Tedee.

Utilizați numai tensiunea de alimentare specificată de Tedee. Nerespectarea poate cauza deteriorarea dispozitivului, care nu este acoperită de garanție.

Alte informații

Nerespectarea recomandărilor incluse în acest manual poate fi periculoasă sau poate constitui o încălcare a legii. Producătorul nu este responsabil pentru nicio pierdere sau daună rezultată din nerespectarea acestor instrucțiuni.

Acest dispozitiv este sigur de utilizat în condiții normale și în caz de utilizare necorespunzătoare previzibilă în mod rezonabil, conform codului de conduită operațional. Dacă observați semne de erori sau defecțiuni hardware, contactați suportul tehnic Tedee pentru ajutor. În acest caz, dispozitivul trebuie returnat către Tedee pentru reparațiile necesare, în condițiile garanției. Orice modificări ale hardware-ului sau software-ului dispozitivului care nu sunt aprobate, recomandate sau furnizate de

Tedee pot anula garanția.

Acest dispozitiv necesită o sursă de alimentare și conexiune Bluetooth(R) pentru funcționare corespunzătoare. Pentru a asocia dispozitivul cu Tedee Bridge este necesară o conexiune la Internet pentru a utiliza unele funcții ale dispozitivului. Producătorul nu este responsabil pentru potențiale probleme de acces rezultate din lipsa accesului la Internet sau din defectarea ori epuizarea sursei de alimentare.

Acest dispozitiv nu este destinat utilizării ca parte a unui sistem de securitate pentru locuință. Producătorul nu declară proprietăți antifracție și nu atestă certificate sau clase de protecție antifracție pentru dispozitiv. Producătorul nu va fi răspunzător pentru eventuale daune/vătămări suferite din cauza furtului, spargerii sau intruziunii rezultate din deteriorarea, depășirea sau preluarea neautorizată a controlului dispozitivului.

Acest dispozitiv poate necesita achiziționarea unor produse suplimentare pentru a activa unele dintre funcțiile sale. Dacă aveți dubii, contactați suportul Tedee.

Conectarea dispozitivului la o sursă de alimentare care nu îndeplinește specificațiile descrise în EN 50081-1, EN 50082-1, UL508 și EN 60950 poate anula garanția.

Întreținere

Deconectați produsul de la sursa de alimentare înainte de curățare. Nu utilizați lubrifianți, agenți de curățare, polishuri sau odorizante pe nicio parte a dispozitivului. Ștergeți numai cu o cârpă uscată.

Nu utilizați niciodată cabluri deteriorate la conectarea dispozitivului.

Nu încercați să dezasamblați cablul, deoarece acest lucru vă poate expune la electrocutare.

Informații tehnice

Specificații dispozitiv

Dimensiuni: 44,5 × 57,5 × 16 mm

Tensiune de alimentare: 5–60V DC

Număr de intrări: 2

Tip intrare: Normalmente Deschis

Număr de ieșiri: 2

Tip ieșire: Normalmente Deschis

Material carcasă: PC+ABS

Comunicare Bluetooth: BLE 5.2, 2,4GHz

Temperatură de funcționare: 0–60°C

Umiditate de funcționare: 0–90%

Compatibil cu dispozitive Tedee: Tedee PRO, Tedee GO2, Tedee GO, Tedee Bridge

Note legale / de mediu



Declarație de Conformitate UE

Tedee Sp. z o.o. declară prin prezenta că dispozitivul radio Tedee Dry Contact TDCV1.0 este în conformitate cu Directiva 2014/53/UE. Textul integral al Declarației de Conformitate UE este disponibil la următoarea adresă de internet: <https://tedee.com/compliance>.



Dispozitivul este marcat cu simbolul coșului de gunoi tăiat – nu trebuie eliminat împreună cu deșeurile municipale.

Echipamentele uzate trebuie duse la un punct de colectare autorizat pentru deșeurile de echipamente electrice și electronice (WEEE).

WEEE / RoHS

Pentru a preveni un potențial impact negativ asupra mediului, consultați legile și reglementările locale privind eliminarea corespunzătoare a dispozitivelor electronice și a bateriilor în țara dvs.

Eliminarea bateriilor – dacă dispozitivul dvs. Tedee conține baterii, nu le eliminați împreună cu deșeurile menajere obișnuite. Predați-le la punctul de reciclare sau colectare corespunzător. Bateriile utilizate în dispozitivele Tedee nu conțin mercur, cadmiu sau plumb peste nivelurile specificate în Directiva 2006/66/CE.

Eliminarea echipamentelor electronice – nu eliminați dispozitivul Tedee împreună cu deșeurile menajere obișnuite. Predați-l la punctul de reciclare sau colectare corespunzător.



Bluetooth®

Marca verbală și logourile Bluetooth® sunt deținute de Bluetooth SIG, Inc., iar orice utilizare a acestor mărci de către Tedee Sp. z o.o. se face sub licență.

Google

Google, Android și Google Play sunt mărci comerciale ale Google LLC.

Apple

Apple și App Store sunt mărci comerciale ale Apple Inc. iOS este o marcă



comercială sau marcă comercială înregistrată a Cisco în S.U.A. și în alte țări și este utilizată sub licență.

tedee® este o marcă înregistrată a Tedee Sp. z o.o. Copyright (C) 2022. Toate drepturile rezervate.

Alte mărci comerciale și denumiri comerciale aparțin proprietarilor lor respectivi.

Garanție

Garanția limitată Tedee pentru hardware

Tedee Sp. z o.o. garantează că dispozitivele Tedee sunt lipsite de defecte hardware de materiale și manoperă pentru o perioadă de cel puțin 2 ani de la data primei achiziții cu amănuntul.

Tedee Sp. z o.o. nu își asumă responsabilitatea pentru utilizarea necorespunzătoare a dispozitivelor (inclusiv metode de încărcare altele decât cele descrise în acest plant), în special dacă utilizatorul a efectuat orice modificări ale hardware-ului sau software-ului dispozitivului care nu sunt aprobate, recomandate sau furnizate de Tedee.

Informațiile complete despre garanție sunt disponibile la: www.tedee.com/warranty, la adresa sediului producătorului indicată pe ambalaj și la support@tedee.com.

Asistență tehnică

E-mail: support@tedee.com

Website: www.tedee.com/support

Telefon: (+48) 22 307 72 67

Program: 8:00 – 16:00 (CET)

Adresă poștală: Tedee Sp. z o.o., Karola Bohdanowicza 21/57, 02-127 Warsaw, Poland





RU: Информация о безопасности

ПРЕДУПРЕЖДЕНИЕ: Прочитайте все рекомендации и предупреждения по безопасности. Несоблюдение рекомендаций и предупреждений может привести к поражению электрическим током, пожару и/или серьезным травмам.

Сохраните эти инструкции для дальнейшего использования.

Чтобы получить доступ к самой новой, актуальной версии этих инструкций, посетите: <https://tedee.com/support>

ПРЕДУПРЕЖДЕНИЕ: Подключайте устройство только в соответствии с инструкциями, приведенными в данном руководстве.

Неправильные подключения могут вызвать пожар или поражение электрическим током, повредить устройство и аннулировать гарантию на продукт. Если вы сомневаетесь, обратитесь за помощью к квалифицированному электрику или к производителю.

ОПАСНО! РИСК ПОРАЖЕНИЯ ЭЛЕКТРИЧЕСКИМ ТОКОМ!

НЕ прикасайтесь к выходам вашей установки без надлежащей изоляции (например, резиновых перчаток). Даже когда устройство выключено, на выходах может сохраняться напряжение (активно передаваться электричество). Все монтажные работы должны **ВСЕГДА** выполняться при отключенной цепи питания.

НИКОГДА не подключайте устройство напрямую к электрической розетке или источнику питания 230V/110V. Высокий риск поражения электрическим током и/или пожара.

Нельзя

Не открывайте, не модифицируйте и не разбирайте устройство или его аксессуары.

Не выполняйте самостоятельное обслуживание каких-либо частей устройства. При необходимости ремонта обратитесь в службу технической поддержки

Tedee: <https://tedee.com/>

Не погружайте устройство в любую жидкость или воду и не подвергайте его воздействию влаги.

Не используйте устройство рядом с источниками экстремального тепла (например, радиатором или дымоходом), источниками холода, открытым огнем или в других экстремальных условиях.

Не используйте устройство в условиях высокой влажности или повышенной запыленности, а также при сильном загрязнении воздуха. Используйте устройство только в помещении.

Не вставляйте металлические предметы в отверстия и зазоры устройства, за исключением концов кабелей, подключаемых согласно инструкциям.

Не прикасайтесь к устройству или его аксессуарам мокрыми руками.

Не оказывайте на кабели при подключении устройства давление сверх указанного производителем, чтобы предотвратить повреждение или деформацию.

Не пытайтесь силой вынуть кабели из разъемов. В случае затруднений обратитесь в поддержку Tedee.

Не снимайте изоляцию с кабелей, кроме участков на концах кабелей, используемых в разъемах устройства.

По возможности не устанавливайте устройство в пределах досягаемости детей или животных.

Если животное или ребенок нарушит целостность устройства (например, сломает корпус), прекратите использование устройства и обратитесь в службу технической поддержки Tedee.

Устройство не должно использоваться детьми младше 13 лет без присмотра взрослых.





Не передавайте учетные данные для входа в приложение Tedee и не предоставляйте удаленный доступ к вашему помещению неавторизованным лицам. Производитель не несет ответственности за ущерб, вызванный предоставлением доступа неуполномоченным лицам.

ПРЕДУПРЕЖДЕНИЕ: Tedee Dry Contact может выйти из строя, и тогда он может не суметь открыть дверной замок. Всегда носите с собой смартфон и ключ от дверного замка или оставляйте их в доступном месте, чтобы в случае такой ошибки устройства дверь можно было открыть вручную.

Следует

Точно следуйте руководству по установке и мерам предосторожности. При сомнениях обратитесь в службу технической поддержки Tedee.

При необходимости ремонта обратитесь в службу технической поддержки Tedee.

Используйте только напряжение питания, указанное Tedee. Несоблюдение может привести к повреждению устройства, не покрываемому гарантией.

Другая информация

Несоблюдение рекомендаций, приведенных в данном руководстве, может быть опасным или привести к нарушению закона. Производитель не несет ответственности за любые потери или ущерб, возникшие вследствие несоблюдения этих инструкций.

Данное устройство безопасно при нормальном использовании и при разумно предсказуемом неправильном использовании в рамках эксплуатационного кодекса поведения. Если вы заметили признаки ошибок или аппаратной неисправности, обратитесь в службу технической поддержки Tedee. В таком случае устройство должно быть возвращено в Tedee для необходимого ремонта на условиях гарантии. Любые изменения или модификации аппаратного или программного обеспечения устройства, не одобренные, не рекомендованные или не предоставленные Tedee, могут аннулировать гарантию.

84

Для корректной работы устройству требуется источник питания и соединение Bluetooth(R). Для сопряжения устройства с Tedee Bridge требуется подключение к Интернету для использования некоторых функций устройства. Производитель не несет ответственности за возможные проблемы доступа в помещение, возникшие из-за отсутствия интернета или отказа/разряда источника питания.

Данное устройство не предназначено для использования как часть домашней охранной системы. Производитель не заявляет противозломные свойства и не подтверждает какие-либо аттестации, сертификаты или классы противозломной защиты устройства. Производитель не несет ответственности за возможный ущерб/травмы в результате кражи, взлома или проникновения, вызванных повреждением устройства, обходом защиты или несанкционированным получением контроля над устройством.

Для использования некоторых функций устройства может потребоваться приобретение дополнительных продуктов. При сомнениях обратитесь в службу поддержки Tedee.

Подключение устройства к источнику питания, не соответствующему требованиям EN 50081-1, EN 50082-1, UL508 и EN 60950, может привести к аннулированию гарантии.

Обслуживание

Перед очисткой отключите изделие от источника питания. Не используйте смазки, чистящие средства, полироли или освежители воздуха на каких-либо частях устройства. Протирайте только сухой тканью.

Никогда не используйте поврежденные кабели при подключении устройства.

Не пытайтесь разбирать кабель, так как это может подвергнуть вас риску поражения электрическим током.

Техническая информация

Характеристики устройства

Размеры: 44,5 × 57,5 × 16 мм





Напряжение питания: 5–60V DC

Количество входов: 2

Тип входа: нормально разомкнутый (Normally Open)

Количество выходов: 2

Тип выхода: нормально разомкнутый (Normally Open)

Материал корпуса: PC+ABS

Bluetooth-связь: BLE 5.2, 2,4GHz

Рабочая температура: 0–60°C

Рабочая влажность: 0–90%

Совместимо с устройствами Tedee: Tedee PRO, Tedee GO2, Tedee GO, Tedee Bridge

Юридические / экологические примечания



Устройство отмечено символом перечеркнутого мусорного контейнера на колесах — его нельзя выбрасывать вместе с бытовыми отходами.

Использованное оборудование следует сдавать в уполномоченный пункт сбора электрических и электронных отходов (WEEE).

WEEE / RoHS

Чтобы предотвратить возможное негативное воздействие на окружающую среду, ознакомьтесь с местными законами и правилами утилизации электронных устройств и батарей в вашей стране.

Утилизация батарей — если ваше устройство Tedee содержит батареи, не выбрасывайте их вместе с обычными бытовыми отходами. Сдавайте их в соответствующий пункт сбора или переработки. Батареи, используемые в устройствах Tedee, не содержат ртути, кадмия или свинца выше уровней, указанных в Директиве 2006/66/EC.

Утилизация электроники — не выбрасывайте устройство Tedee вместе с обычными бытовыми отходами. Сдавайте его в соответствующий пункт сбора или переработки.



Bluetooth®

Словесный знак и логотипы Bluetooth® принадлежат Bluetooth SIG, Inc., а любое использование таких знаков компанией Tedee Sp. z o.o. осуществляется по лицензии.

Google

Google, Android и Google Play являются товарными знаками Google LLC.

Apple

Apple и App Store являются товарными знаками Apple Inc. iOS является товарным знаком или зарегистрированным товарным знаком Cisco в США и других странах и используется по лицензии.

tedee® является зарегистрированным товарным знаком Tedee Sp. z o.o. Copyright (C) 2022. Все права защищены.

Другие товарные знаки и торговые наименования принадлежат их соответствующим владельцам.





Гарантия

Ограниченная гарантия Tedee на аппаратное обеспечение

Tedee Sp. z o.o. гарантирует, что устройства Tedee не имеют аппаратных дефектов материалов и изготовления в течение не менее 2 лет с даты первой розничной покупки.

Tedee Sp. z o.o. не несет ответственности за неправильное использование устройств (включая способы зарядки, отличные от описанных в данной брошюре), особенно если пользователь выполнял какие-либо изменения или модификации аппаратного или программного обеспечения устройства, не одобренные, не рекомендованные или не предоставленные Tedee.

Полная информация о гарантии доступна по адресу: www.tedee.com/warranty, по адресу штаб-квартиры производителя, указанному на упаковке, и по адресу support@tedee.com.

Техническая поддержка

E-mail: support@tedee.com

Сайт: www.tedee.com/support

Телефон: (+48) 22 307 72 67

Часы работы: 8:00 – 16:00 (CET)

Почтовый адрес: Tedee Sp. z o.o., Karola Bohdanowicza 21/57, 02-127 Warsaw, Poland

SK: Bezpečnostné informácie

UPOZORNENIE: Prečítajte si všetky bezpečnostné pokyny a upozomenia. Nedodržanie pokynov a upozornení môže viesť k úrazu elektrickým prúdom, požiaru a/alebo vážnemu zraneniu.

86

Tieto pokyny si uschovajte na budúce použitie.

Najnovšiu, aktuálnu verziu týchto pokynov nájdete na: <https://tedee.com/support>

UPOZORNENIE: Zariadenie pripájajte iba podľa pokynov uvedených v tomto návode.

Nesprávne zapojenie môže spôsobiť požiar alebo úraz elektrickým prúdom, poškodiť zariadenie a zneplatniť záruku. V prípade pochybností kontaktujte kvalifikovaného elektrikára alebo výrobcu.

NEBEZPEČENSTVO! RIZIKO ÚRAZU ELEKTRICKÝM PRÚDOM!

NEDOTÝKAJTE sa výstupov vašej inštalácie bez primeranej izolácie (napr. gumené rukavice). Aj keď je zariadenie vypnuté, výstupy môžu byť stále pod napätím (aktívne viesť elektrinu). Všetky inštalčné práce musia byť **VŽDY** vykonávané pri odpojenom napájacom obvode.

NIKDY nepripájajte zariadenie priamo do elektrickej zásuvky ani k napájaniu 230 V/110 V. Vysoké riziko úrazu elektrickým prúdom a/alebo požiaru.

Nerobte

Neotvárajte, neupravujte ani nerozoberajte zariadenie ani jeho príslušenstvo.

Nevykonávajte svojpomocne servis žiadnej časti zariadenia. Ak je potrebná oprava, kontaktujte technickú podporu Tedee: <https://tedee.com/>

Neponárajte zariadenie do akejkoľvek kvapaliny alebo vody ani ho nevystavujte vlhkosti.

Nepoužívajte zariadenie v blízkosti zdrojov extrémneho tepla (napr. radiátor alebo komín), chladu, otvoreného ohňa alebo v iných extrémnych podmienkach.

Nepoužívajte zariadenie v prostredí s vysokou vlhkosťou alebo prašnosťou ani pri výraznom znečistení ovzdušia. Zariadenie používajte iba v interiéri.

Nevkladajte do otvorov a štrbín zariadenia kovové predmety, okrem koncov káblov pripojených podľa pokynov.





Nemanipulujte so zariadením ani jeho príslušenstvom mokrými rukami.

Pri pripájaní zariadenia nevyvíjajte na káble tlak nad rámec určený výrobcom, aby ste predišli poškodeniu alebo deformácii.

Nepokúšajte sa násilne vytiahnuť káble z konektorov. V prípade problémov kontaktujte podporu Tedee.

Neodstraňujte izoláciu z káblov, okrem koncov káblov používaných v konektoroch zariadenia.

Ak je to možné, neinštalujte zariadenie v dosahu detí alebo zvierat.

Ak zvierata alebo dieťa naruší integritu zariadenia (napr. sa poškodí kryt), prestaňte zariadenie používať a kontaktujte technickú podporu Tedee.

Zariadenie by nemali používať deti mladšie ako 13 rokov bez dozoru dospeléj osoby.

Nezdieľajte prihlasovacie údaje do aplikácie Tedee ani neposkytujte vzdialený prístup do vašich priestorov neautorizovaným osobám. Výrobca nezodpovedá za škody spôsobené poskytnutím prístupu neautorizovaným osobám.

UPOZORNENIE: Tedee Dry Contact môže zlyhať, a preto nemusí byť schopný otvoriť váš dverový zámok. Vždy majte pri sebe smartfón a kľúč od zámku alebo ich nechajte na dostupnom mieste, aby bolo možné dvere v prípade chyby zariadenia odomknúť manuálne.

Robte

Dôsledne dodržiavajte inštalčný návod a bezpečnostné opatrenia. V prípade pochybností kontaktujte technickú podporu Tedee.

Ak je potrebná oprava, kontaktujte technickú podporu Tedee.

Používajte iba napájacie napätie špecifikované spoločnosťou Tedee. Nedodržanie môže spôsobiť poškodenie zariadenia, ktoré nie je kryté zárukou.

Ďalšie informácie

Nedodržanie odporúčaní uvedených v tomto návode môže byť nebezpečné alebo viesť k porušeniu zákona. Výrobca nezodpovedá za žiadnu stratu ani škodu vyplývajúcu z nedodržania týchto pokynov.

Toto zariadenie je bezpečné pri bežnom používaní a pri rozumne predvídateľnom nesprávnom používaní v súlade s prevádzkovými pravidlami. Ak spozorujete akékoľvek príznaky chýb alebo hardvérovej poruchy, kontaktujte technickú podporu Tedee. V takom prípade musí byť zariadenie vrátené spoločnosti Tedee na potrebné opravy v rámci záručných podmienok. Akékoľvek zmeny alebo úpravy hardvéru alebo softvéru zariadenia, ktoré nie sú schválené, odporúčané alebo poskytnuté spoločnosťou Tedee, môžu zneplatniť záruku.

Zariadenie vyžaduje zdroj napájania a pripojenie Bluetooth(R) na správnu prevádzku. Na spárovanie zariadenia s Tedee Bridge je potrebné internetové pripojenie na používanie niektorých funkcií zariadenia. Výrobca nezodpovedá za možné problémy s prístupom do miestnosti vyplývajúce z nedostupnosti internetu alebo zlyhania či vybitia zdroja napájania.

Toto zariadenie nie je určené na použitie ako súčasť domáceho bezpečnostného systému. Výrobca nevyhlasuje žiadne protivlámanové vlastnosti ani neposkytuje žiadne atestácie, certifikáty alebo triedy protivlámanovej ochrany zariadenia. Výrobca nezodpovedá za žiadnu možnú škodu/zranenie spôsobené krádežou, vlámaním alebo vniknutím v dôsledku poškodenia, prekonania ochrany alebo neoprávneného získania kontroly nad zariadením.

Na využitie niektorých funkcií zariadenia môže byť potrebné zakúpiť ďalšie produkty. V prípade pochybností kontaktujte podporu Tedee.

Pripojenie zariadenia k napájaniu, ktoré nespĺňa špecifikácie uvedené v EN 50081-1, EN 50082-1, UL508 a EN 60950, môže zneplatniť záruku.

Údržba

Pred čistením odpojte produkt od napájania. Nepoužívajte žiadne mazivá, čistiace prostriedky, leštidlá ani osviežovače vzduchu na žiadnu časť zariadenia. Utierajte iba suchou handričkou.





Pri pripájaní zariadenia nikdy nepoužívajte poškodené káble.

Nepokúšajte sa kábel rozoberať, pretože by vás to mohlo vystaviť riziku úrazu elektrickým prúdom.

Technické informácie

Špecifikácia zariadenia

Rozmery: 44,5 × 57,5 × 16 mm

Napájacie napätie: 5–60 V DC

Počet vstupov: 2

Typ vstupu: Normally Open

Počet výstupov: 2

Typ výstupu: Normally Open

Materiál tela: PC+ABS

Bluetooth komunikácia: BLE 5.2, 2,4 GHz

Prevádzková teplota: 0–60 °C

Prevádzková vlhkosť: 0–90 %

Kompatibilné so zariadeniami Tedee: Tedee PRO, Tedee GO2, Tedee GO, Tedee Bridge

Právne / environmentálne poznámky



EÚ vyhlásenie o zhode
88



Zariadenie je označené symbolom preškrtnutého kontajnera na kolieskach – nesmie sa likvidovať spolu s komunálnym odpadom.

Použitú zariadenie odovzdajte do autorizovaného zberného miesta pre elektrický a elektronický odpad (WEEE).

WEEE / RoHS

Aby sa predišlo možnému negatívnemu vplyvu na životné prostredie, riadte sa miestnymi zákonmi a predpismi týkajúcimi sa správnej likvidácie elektronických zariadení a batérií vo vašej krajine.

Likvidácia batérií – ak vaše zariadenie Tedee obsahuje batérie, nelikvidujte ich spolu s bežným domácim odpadom. Odovzdajte ich do príslušného zberného alebo recyklačného miesta. Batérie používané v zariadeniach Tedee neobsahujú ortuť, kadmium ani olovo nad úrovne stanovené smernicou 2006/66/ES.

Likvidácia elektroniky – nelikvidujte zariadenie Tedee spolu s bežným domácim odpadom. Odovzdajte ho do príslušného zberného alebo recyklačného miesta.



Bluetooth®



Slovná ochranná známka a logá Bluetooth® sú vlastníctvom spoločnosti Bluetooth SIG, Inc. a akékoľvek použitie týchto známk spoločnosťou Tedee Sp. z o.o. je na základe licencie.

Google

Google, Android a Google Play sú ochranné známky spoločnosti Google LLC.

Apple

Apple a App Store sú ochranné známky spoločnosti Apple Inc. iOS je ochranná známka alebo registrovaná ochranná známka spoločnosti Cisco v USA a ďalších krajinách a používa sa na základe licencie.

tedee® je registrovaná ochranná známka spoločnosti Tedee Sp. z o.o. Copyright (C) 2022. Všetky práva vyhradené.

Ostatné ochranné známky a obchodné názvy sú majetkom príslušných vlastníkov.

Záruka

Obmedzená hardvérová záruka Tedee

Tedee Sp. z o.o. zaručuje, že zariadenia Tedee sú bez hardvérových väd materiálu a spracovania po dobu najmenej 2 rokov od dátumu prvého maloobchodného nákupu.

Tedee Sp. z o.o. nenesie zodpovednosť za nesprávne používanie zariadení (vrátane spôsobov nabíjania iných než tých, ktoré sú opísané v tejto príručke), najmä ak používateľ vykonal akékoľvek zmeny alebo úpravy hardvéru alebo softvéru zariadenia, ktoré nie sú schválené, odporúčané alebo poskytnuté spoločnosťou Tedee.

Úplné informácie o záruke sú dostupné na: www.tedee.com/warranty, na adrese sídla výrobcu uvedenej na obale a na support@tedee.com.

Technická podpora

E-mail: support@tedee.com

Webová stránka: www.tedee.com/support

Telefón: (+48) 22 307 72 67

Prevádzková doba: 8:00 – 16:00 (CET)

Poštová adresa: Tedee Sp. z o.o., Karola Bohdanowicza 21/57, 02-127 Warsaw, Poland

SL: Varnostne informacije

OPOZORILO: Preberite vse varnostne smernice in opozorila. Neupoštevanje smernic in opozoril lahko povzroči električni udar, požar in/ali resne poškodbe.

Ta navodila shranite za prihodnjo uporabo.

Za dostop do najnovejše, posodobljene različice teh navodil obiščite: <https://tedee.com/support>

OPOZORILO: Napravo priključite samo v skladu z navodili v tem priročniku.

Neppravilne povezave lahko povzročijo požar ali električni udar, poškodujejo napravo in razveljavijo garancijo. Če ste v dvomih, se za pomoč obrnite na usposobljenega električarja ali proizvajalca.

NEVARNOST! TVEGANJE ELEKTRIČNEGA UDARA!

NE dotikajte se izhodov vaše inštalacije brez ustrezne izolacije (npr. gumijaste rokavice). Tudi ko je naprava izklopljena, so izhodi lahko še vedno pod napetostjo (aktivno prevajajo elektriko). Vsa inštalacijska dela je treba **VEDNO** izvajati z odklopljenim napajalnim tokokrogom.

NIKOLI ne priključite naprave neposredno v električno vtičnico ali na napajanje 230 V/110 V. Visoko tveganje električnega udara in/ali požara.

Ne

Ne odpirajte, spreminjajte ali razstavljajte naprave ali njenih dodatkov.

Ne izvajajte samostojnega servisiranja nobenega dela naprave. Če so potrebna



popravila, se obrnite na tehnično podporo Tedee: <https://tedee.com/>

Naprave ne potaplajte v tekočine ali vodo in je ne izpostavljajte vlagi.

Naprave ne uporabljajte v bližini virov ekstremne toplote (npr. radiator ali dimnik), virov mraza, odprtega ognja ali drugih ekstremnih pogojev.

Naprave ne uporabljajte v okolju z visoko vlažnostjo ali veliko prahu ter pri visoki stopnji onesaženosti zraka. Napravo uporabljajte samo v zaprtih prostorih.

V odprtine in reže naprave ne vstavljajte kovinskih predmetov, razen koncev kablov, priključenih v skladu z navodili.

Ne rokujte z nobenim delom naprave ali njenih dodatkov z mokrimi rokami.

Med priključevanjem naprave na kable ne pritiskajte bolj, kot določa proizvajalec, da preprečite poškodbe ali deformacije.

Ne poskušajte na silo odstraniti kablov iz vtičnic. V primeru težav se obrnite na podporo Tedee.

Ne odstranjujte izolacije s kablov, razen na koncih kablov, ki se uporabljajo v vtičnicah naprave.

Če je mogoče, naprave ne nameščajte v dosegu otrok ali živali.

Če žival ali otrok poškoduje celovitost naprave (npr. se ohišje zlomi), prenehajte uporabljati napravo in se obrnite na tehnično podporo Tedee.

Naprave ne smejo uporabljati otroci, mlajši od 13 let, brez nadzora odrasle osebe.

Ne delite prijavnih podatkov aplikacije Tedee in ne omogočajte oddaljenega dostopa do vaših prostorov nepooblaščenim osebam. Proizvajalec ne odgovarja za škodo, povzročeno zaradi omogočanja dostopa nepooblaščenemu osebjem.

OPOZORILO: Tedee Dry Contact lahko doživi tehnično okvaro, zato morda ne bo mogel odpreti vašega vratnega ključavnice. Vedno imejte pri sebi pametni telefon in ključ ključavnice ali ju pustite na dostopnem mestu, da bo v primeru napake naprave mogoče vrata odkleniti ročno.

90

Da

Natančno upoštevajte navodila za namestitve in varnostne ukrepe. Če ste v dvomih, se obrnite na tehnično podporo Tedee.

Če so potrebna popravila, se obrnite na tehnično podporo Tedee.

Uporabljajte samo napajalno napetost, ki jo je določil Tedee. Neupoštevanje lahko povzroči poškodbe naprave, ki niso krite z garancijo.

Druge informacije

Neupoštevanje priporočil v tem priročniku je lahko nevarno ali povzroči kršitev zakona. Proizvajalec ne odgovarja za kakršno koli izgubo ali škodo, ki nastane zaradi neupoštevanja teh navodil.

Ta naprava je varna za uporabo pri normalni uporabi in razumno predvidljivi napačni uporabi v skladu z operativnim kodeksom ravnanja. Če opazite znake napak ali okvare strojne opreme, se za pomoč obrnite na tehnično podporo Tedee. V tem primeru je treba napravo vrniti podjetju Tedee zaradi potrebnih popravil v skladu z garancijskimi pogoji. Kakršne koli spremembe ali predelave strojne ali programske opreme naprave, ki niso odobrene, priporočene ali zagotovljene s strani Tedee, lahko razveljavijo garancijo.

Ta naprava za pravilno delovanje potrebuje vir napajanja in povezavo Bluetooth(R). Za seznanitev naprave z Tedee Bridge je potrebna internetna povezava za uporabo nekaterih funkcij naprave. Proizvajalec ne odgovarja za morebitne težave z dostopom do prostora zaradi pomanjkanja internetne povezave ali odpovedi oziroma izpraznitve vira napajanja.

Ta naprava ni namenjena uporabi kot del sistema domače varnosti. Proizvajalec ne navaja protivlomnih lastnosti ali potrdil, certifikatov ali razredov protivlomne zaščite za napravo. Proizvajalec ne odgovarja za morebitno škodo/poškodbe zaradi kraje, vioma ali vdora, ki bi nastali zaradi poškodbe, premagovanja ali nepooblaščenega prevzema nadzora nad napravo.

Za omogočanje nekaterih funkcij naprave bo morda potreben nakup dodatnih





izdelkov. Če ste v dvomih, se obrnite na podporo Tedee.

Priključitev naprave na napajanje, ki ne ustreza specifikacijam iz EN 50081-1, EN 50082-1, UL508 in EN 60950, lahko razveljavi garancijo.

Vzdrževanje

Pred čiščenjem izdelek odklopite od napajanja. Na nobenem delu naprave ne uporabljajte maziv, čistilnih sredstev, loščil ali osvežilcev zraka. Obrišite jo samo s suho krpo.

Pri priključevanju naprave nikoli ne uporabljajte poškodovanih kablov.

Ne poskušajte razstavljati kabla, saj vas to lahko izpostavi električnemu udaru.

Tehnične informacije

Specifikacija naprave

Dimenzije: 44,5 × 57,5 × 16 mm

Napajalna napetost: 5–60 V DC

Število vhodov: 2

Vrsta vhoda: Normally Open

Število izhodov: 2

Vrsta izhoda: Normally Open

Material ohišja: PC+ABS

Bluetooth komunikacija: BLE 5.2, 2,4 GHz

Delovna temperatura: 0–60 °C

Delovna vlažnost: 0–90 %

Združljivo z napravami Tedee: Tedee PRO, Tedee GO2, Tedee GO, Tedee Bridge

Pravne / okoljske opombe



EU izjava o skladnosti

Tedee Sp. z o.o. izjavlja, da je radijska naprava Tedee Dry Contact TDCV1.0 skladna z Direktivo 2014/53/EU. Celotno besedilo EU izjave o skladnosti je na voljo na naslednjem spletnem naslovu: <https://tedee.com/compliance>.



Naprava je označena s simbolom prečrtanega smetnjaka na kolesih – ne sme se odlagati med komunalne odpadke.

Rabljeno opremo je treba oddati na pooblaščen zbirno mesto za električne in elektronske odpadke (WEEE).

WEEE / RoHS

Da bi preprečili morebitni negativni vpliv na okolje, se glede pravilnega odstranjevanja elektronskih naprav in baterij v vaši državi posvetujte z lokalnimi zakoni in predpisi.

Odstranjevanje baterij – če vaša naprava Tedee vsebuje baterije, jih ne odlagajte med običajne gospodinjske odpadke. Oddajte jih na ustrezno zbirno ali reciklažno mesto. Baterije, ki se uporabljajo v napravah Tedee, ne vsebujejo živega srebra, kadmija ali svina nad ravnmi, določenimi v Direktivi 2006/66/ES.

Odstranjevanje elektronike – naprave Tedee ne odlagajte med običajne gospodinjske odpadke.



ske odpadke. Oddajte jo na ustrezno zbirno ali reciklažno mesto.



Bluetooth®

Besedna znamka in logotipi Bluetooth® so last družbe Bluetooth SIG, Inc., vsaka uporaba teh znakov s strani Tedee Sp. z o.o. pa je licencirana.

Google

Google, Android in Google Play so blagovne znamke družbe Google LLC.

Apple

Apple in App Store sta blagovni znamki družbe Apple Inc. iOS je blagovna znamka ali registrirana blagovna znamka družbe Cisco v ZDA in drugih državah ter se uporablja pod licenco.

tedee® je registrirana blagovna znamka podjetja Tedee Sp. z o.o. Copyright (C) 2022. Vse pravice pridržane.

Druge blagovne znamke in trgovska imena so last njihovih ustreznih imetnikov.

Garancija

Tedee omejena strojna garancija

Tedee Sp. z o.o. jamči, da so naprave Tedee brez strojnih napak v materialu in izdelavi za obdobje najmanj 2 let od datuma prvega maloprodajnega nakupa.

Tedee Sp. z o.o. ne prevzema odgovornosti za nepravilno uporabo naprav (vključno z načini polnjenja, ki niso opisani v tej knjižici), zlasti če je uporabnik izvedel kakršne koli spremembe ali predelave strojne ali programske opreme naprave, ki niso odobrene, priporočene ali zagotovljene s strani Tedee.

92

Celotne informacije o garanciji so na voljo na: www.tedee.com/warranty, na naslovu sedeža proizvajalca, navedenem na embalaži, in na support@tedee.com.

Tehnična podpora

E-pošta: support@tedee.com

Spletno mesto: www.tedee.com/support

Telefon: (+48) 22 307 72 67

Delovni čas: 8:00 – 16:00 (CET)

Poštni naslov: Tedee Sp. z o.o., Karola Bohdanowicza 21/57, 02-127 Warsaw, Poland

SV: Säkerhetsinformation

WARNING: Läs igenom alla säkerhetsriktlinjer och varningar. Om riktlinjerna och varningarna inte följs kan det leda till elektriska stötar, brand och/eller allvarliga personskador.

Spara dessa instruktioner för framtida bruk.

För att få tillgång till den senaste, mest uppdaterade versionen av dessa instruktioner, besök: <https://tedee.com/support>

WARNING: Anslut enheten endast enligt instruktionerna i denna manual.

Felaktiga anslutningar kan orsaka brand eller elektriska stötar, skada enheten och ogiltigförklara produktgarantin. Vid tveksamhet, kontakta en behörig elektriker för stöd eller tillverkaren.

FARA! RISK FÖR ELEKTRISK STÖT!

RÖR INTE utgångarna i din installation utan korrekt isolering (t.ex. gummihandskar). Även när enheten är avstängd kan utgångarna fortfarande vara spänningssatta (aktivt leda elektricitet). Allt installationsarbete ska **ALLTID** utföras med strömkretsen



frånkopplad.

Anslut **ALDRIG** enheten direkt till ett eluttag eller en 230 V/110 V-strömförsörjning. Hög risk för elchock och/eller brand.

Gör inte

Öppna, modifiera eller demontera inte enheten eller dess tillbehör.

Utför inte egen service på någon del av enheten. Om reparationer krävs, kontakta Tedee teknisk support på <https://tedee.com/>

Sänk inte ned enheten i någon vätska eller vatten och utsätt den inte för fukt.

Använd inte enheten nära extrema värmekällor (t.ex. radiator eller skorsten), köldkälla, öppen eld eller andra extrema förhållanden.

Använd inte enheten i en miljö med hög luftfuktighet eller höga dammnivåer, samt hög luftförorening. Använd enheten endast inomhus.

För inte in metallföremål i enhetens öppningar och springor, förutom kabeländar som ansluts enligt instruktionerna.

Hantera inte någon del av enheten eller dess tillbehör med våta händer.

Tryck inte på kablarna under anslutning av enheten utöver vad som anges av tillverkaren för att förhindra skador eller deformation.

Försök inte att med kraft dra ut kablar ur sina uttag. Vid problem, kontakta Tedee support.

Ta inte bort isoleringen från kablarna, förutom vid kabeländarna som används i enhetens uttag.

Installera om möjligt inte enheten inom räckhåll för barn eller djur.

Om ett djur eller ett barn skadar enhetens integritet (t.ex. om höljet går sönder), sluta använda enheten och kontakta Tedee teknisk support.

Enheten ska inte användas av barn under 13 år utan uppsikt av en vuxen.

Dela inte dina inloggningsuppgifter till Tedee-appen och ge inte obehöriga personer fjärråtkomst till dina lokaler. Tillverkaren ansvarar inte för skador som uppstår genom att obehöriga får tillträde.

VARNING: Tedee Dry Contact kan drabbas av tekniskt fel och kanske inte kan öppna ditt dörrfås. Ha alltid med dig din smartphone och nyckeln till dörrfåset, eller lämna dem på en lättillgänglig plats så att dörren kan låsas upp manuellt vid en sådan enhetsfel.

Gör

Följ installationsmanualen och säkerhetsföreskrifterna noggrant. Vid tveksamhet, kontakta Tedee teknisk support.

Om reparationer krävs, kontakta Tedee teknisk support.

Använd endast den matningsspänning som anges av Tedee. Underlåtenhet kan orsaka skador på enheten som inte täcks av garantin.

Övrig information

Att inte följa rekommendationerna i denna manual kan vara farligt eller innebära lagbrott. Tillverkaren ansvarar inte för förlust eller skada som uppstår till följd av att dessa instruktioner inte följs.

Denna enhet är säker att använda under normal användning och rimligt förutsebar felanvändning enligt gällande uppförandekod. Om du märker tecken på fel eller hårdvarufel, kontakta Tedee teknisk support för hjälp. I så fall ska enheten returneras till Tedee för nödvändiga reparationer enligt garantivillkoren. Alla ändringar eller modifieringar av enhetens hårdvara eller mjukvara som inte är godkända, rekommenderade eller tillhandahållna av Tedee kan ogiltigförklara din garanti.

Denna enhet kräver strömkälla och Bluetooth(R)-anslutning för korrekt funktion. För att para ihop enheten med Tedee Bridge krävs en internetanslutning för att använda vissa av enhetens funktioner. Tillverkaren ansvarar inte för eventuella åtkomstproblem till utrymmen som beror på brist på internetanslutning eller fel/uttömning av strömkällan.





Denna enhet är inte avsedd att användas som en del av ett hemsäkerhetssystem. Tillverkaren deklarerar inga inbrottskyddande egenskaper eller intyg, certifikat eller klasser för inbrottskydd för enheten. Tillverkaren ansvarar inte för eventuell skada/ personskada till följd av stöld, inbrott eller intrång som beror på skada, kringgående eller obehörig kontroll över enheten.

Denna enhet kan kräva inköp av ytterligare produkter för att aktivera vissa funktioner. Vid tveksamhet, kontakta Tedee support.

Att ansluta enheten till en strömförsörjning som inte uppfyller specifikationerna i EN 50081-1, EN 50082-1, UL508 och EN 60950 kan ogiltigförklara garantin.

Underhåll

Koppla bort produkten från strömförsörjningen före rengöring. Använd inga smörjmedel, rengöringsmedel, polermedel eller luftfräschare på någon del av enheten. Torka endast med en torr trasa.

Använd aldrig skadade kablar när du ansluter enheten.

Försök inte att demontera kabeln, eftersom det kan utsätta dig för elektriska stötar.

Teknisk information

Enhetsspecifikation

Mått: 44,5 x 57,5 x 16 mm

Matningsspänning: 5–60 V DC

Antal ingångar: 2

Ingångstyp: Normally Open

Antal utgångar: 2

Utgångstyp: Normally Open

Höljesmaterial: PC+ABS

94

Bluetooth-kommunikation: BLE 5.2, 2,4 GHz

Drifttemperatur: 0–60 °C

Driftfuktighet: 0–90 %

Kompatibel med Tedee-enheter: Tedee PRO, Tedee GO2, Tedee GO, Tedee Bridge

Juridiska / miljömässiga anmärkningar



EU-försäkringen om överensstämmelse

Tedee Sp. z o.o. försäkrar härmed att radioutrustningen Tedee Dry Contact TDCV1.0 överensstämmer med direktiv 2014/53/EU. Den fullständiga texten till EU-försäkringen om överensstämmelse finns på följande internetadress: <https://tedee.com/compliance>.



Enheten är märkt med en överkryssad soptunna – den får inte kastas med hushållsavfall.

Använd utrustning ska lämnas till en auktoriserad insamlingsplats för elektriskt och elektroniskt avfall (WEEE).

WEEE / RoHS

För att förebygga potentiell negativ påverkan på miljön, konsultera lokala lagar och föreskrifter för korrekt kassering av elektroniska enheter och batterier i ditt land.



Kassering av batterier – om din Tedee-enhet innehåller batterier, kasta dem inte med vanligt hushållsavfall. Lämna dem till lämplig återvinnings- eller insamlingsplats. Batterier som används i Tedee-enheter innehåller inte kvicksilver, kadmium eller bly över nivåerna som anges i direktiv 2006/66/EG.

Kassering av elektronik – kasta inte din Tedee-enhet med vanligt hushållsavfall. Lämna den till lämplig återvinnings- eller insamlingsplats.



Bluetooth®

Bluetooth®-ordmärket och logotyperna ägs av Bluetooth SIG, Inc. och all användning av sådana märken av Tedee Sp. z o.o. sker under licens.

Google

Google, Android och Google Play är varumärken som tillhör Google LLC.

Apple

Apple och App Store är varumärken som tillhör Apple Inc. iOS är ett varumärke eller registrerat varumärke som tillhör Cisco i USA och andra länder och används under licens.

tedee® är ett registrerat varumärke som tillhör Tedee Sp. z o.o. Copyright (C) 2022. Alla rättigheter förbehållna.

Andra varumärken och handelsnamn tillhör sina respektive ägare.

Garanti

Tedee begränsad hårdvarugaranti

Tedee Sp. z o.o. garanterar att Tedee-enheter är fria från hårdvarufel i

material och utförande under en period av minst 2 år från datumet för det första detaljhandelsköpet.

Tedee Sp. z o.o. tar inget ansvar för felaktig användning av enheter (inklusive laddningsmetoder utöver dem som beskrivs i denna broschyr), särskilt om användaren har gjort ändringar eller modifieringar av enhetens hårdvara eller mjukvara som inte är godkända, rekommenderade eller tillhandahållna av Tedee.

Fullständig garantiinformation finns på: www.tedee.com/warranty, på adressen till tillverkarens huvudkontor som anges på förpackningen, samt på support@tedee.com.

Teknisk support

E-post: support@tedee.com

Webbplats: www.tedee.com/support

Telefon: (+48) 22 307 72 67

Öppettider: 8:00 – 16:00 (CET)

Postadress: Tedee Sp. z o.o., Karola Bohdanowicza 21/57, 02-127 Warsaw, Poland

UA: Інформація щодо безпеки

ПОПЕРЕДЖЕННЯ: Прочитайте всі настанови з безпеки та попередження. Недотримання цих настанов і попереджень може призвести до ураження електричним струмом, пожежі та/або серйозних травм.

Збережіть ці інструкції для подальшого використання.

Щоб отримати доступ до найновішої, актуальної версії цих інструкцій, відвідайте: <https://tedee.com/support>

ПОПЕРЕДЖЕННЯ: Підключайте пристрій лише відповідно до інструкцій, наведених у цьому посібнику.



Неправильні підключення можуть спричинити пожежу або ураження електричним струмом, пошкодити пристрій і призвести до втрати гарантії. У разі сумнівів зверніться по допомогу до кваліфікованого електрика або виробника.

НЕБЕЗПЕКА! РИЗИК УРАЖЕННЯ ЕЛЕКТРИЧНИМ СТРУМОМ!

НЕ торкайтеся виходів вашої установки без належної ізоляції (наприклад, гумових рукавичок). Навіть коли пристрій вимкнено, виходи можуть залишатися під напругою (активно передавати електроенергію). Усі монтажні роботи слід **ЗАВЖДИ** виконувати з від'єднаним колом живлення.

НИКОЛИ не підключайте пристрій безпосередньо до електричної розетки або джерела живлення 230 В/110 В. Високий ризик ураження електричним струмом та/або пожежі.

Не робіть

Не відкривайте, не змінюйте та не розбирайте пристрій або його аксесуари.

Не здійснюйте самостійне обслуговування будь-якої частини пристрою. Якщо потрібен ремонт, зверніться до технічної підтримки Tedee: <https://tedee.com/>

Не занурюйте пристрій у будь-яку рідину або воду та не піддавайте його впливу вологи.

Не використовуйте пристрій поблизу джерел сильного тепла (наприклад, радіатора або димаря), джерел холоду, відкритого вогню або в інших екстремальних умовах.

Не використовуйте пристрій у середовищі з високою вологістю або великою кількістю пилу, а також із сильним забрудненням повітря. Використовуйте пристрій лише в приміщенні.

Не вставляйте металеві предмети в отвори та щілини пристрою, окрім кінців кабелів, підключених згідно з інструкціями.

Не торкайтеся жодної частини пристрою або його аксесуарів мокрими руками.

Не застосовуйте надмірний тиск на кабелі під час підключення пристрою понад те, що визначено виробником, щоб запобігти пошкодженню або деформації.

Не намагайтеся силоміць виймати кабелі з роз'ємів. У разі труднощів зверніться до підтримки Tedee.

Не знімайте ізоляцію з кабелів, окрім кінців кабелів, що використовуються в роз'ємах пристрою.

За можливості не встановлюйте пристрій у зоні досяжності дітей або тварин.

Якщо тварина або дитина пошкодить цілісність пристрою (наприклад, корпус трісне), припиніть використання пристрою та зверніться до технічної підтримки Tedee.

Пристрій не повинні використовувати діти віком до 13 років без нагляду дорослих.

Не передавайте облікові дані для входу в застосунок Tedee та не надавайте віддалений доступ до вашого приміщення неавторизованим особам. Виробник не несе відповідальності за шкоду, спричинену наданням доступу до приміщення неуповноваженим особам.

ПОПЕРЕДЖЕННЯ: У Tedee Dry Contact може статися технічна несправність, через що він може не відкрити ваш дверний замок. Завжди майте при собі смартфон і ключ від дверного замка або залишайте їх у доступному місці, щоб у разі такої помилки пристроєм двері можна було відкрити вручну.

Робіть

Точно дотримуйтеся інструкції з встановлення та запобіжних заходів. У разі сумнівів зверніться до технічної підтримки Tedee.

Якщо потрібен ремонт, зверніться до технічної підтримки Tedee.

Використовуйте лише напругу живлення, зазначену Tedee. Порушення може спричинити пошкодження пристрою, що не покривається гарантією.





Інша інформація

Недотримання рекомендацій, наведених у цьому посібнику, може бути небезпечним або призвести до порушення закону. Виробник не несе відповідальності за будь-які втрати чи збитки, що виникли внаслідок недотримання цих інструкцій.

Цей пристрій безпечний для використання за нормальних умов і за розумно передбачуваного неправильного використання відповідно до правил експлуатації. Якщо ви помітили будь-які ознаки помилок або несправності обладнання, зверніться до технічної підтримки Tedeo. У такому разі пристрій слід повернути до Tedeo для необхідного ремонту згідно з умовами гарантії. Будь-які зміни або модифікації апаратного чи програмного забезпечення, які не схвалені, не рекомендовані або не надані Tedeo, можуть призвести до втрати гарантії.

Для належної роботи пристрій потребує джерела живлення та з'єднання Bluetooth(R). Для сполучення пристрою з Tedeo Bridge потрібне інтернет-з'єднання для використання деяких функцій пристрою. Виробник не несе відповідальності за можливі проблеми доступу до приміщення через відсутність інтернет-з'єднання або відмову/вичерпання джерела живлення.

Цей пристрій не призначений для використання як частина системи домашньої безпеки. Виробник не заявляє про протизламні властивості, а також не надає жодних атестацій, сертифікатів чи класів протизламного захисту для пристрою. Виробник не несе відповідальності за можливу шкоду/травми внаслідок крадіжки, пограбування або проникнення, що сталися через пошкодження, подолання захисту або несанкціоноване отримання контролю над пристроєм.

Для використання деяких функцій цього пристрою може знадобитися придбання додаткових продуктів. У разі сумнівів зверніться до підтримки Tedeo.

Підключення пристрою до джерела живлення, яке не відповідає специфікаціям, викладеним у EN 50081-1, EN 50082-1, UL508 та EN 60950, може призвести до втрати гарантії.

Обслуговування

Перед очищенням від'єднайте продукт від джерела живлення. Не використовуйте жодних мастил, мийних засобів, поліролей або освіжувачів повітря на будь-якій частині пристрою. Протирайте лише сухою тканиною.

Ніколи не використовуйте пошкоджені кабелі під час підключення пристрою.

Не намагайтеся розбирати кабель, оскільки це може призвести до ураження електричним струмом.

Технічна інформація

Специфікація пристрою

Розміри: 44,5 x 57,5 x 16 мм

Напруга живлення: 5–60 В DC

Кількість входів: 2

Тип входів: Normally Open

Кількість виходів: 2

Тип виходів: Normally Open

Матеріал корпусу: PC+ABS

Bluetooth-зв'язок: BLE 5.2, 2,4 ГГц

Робоча температура: 0–60 °C

Робоча вологість: 0–90%

Сумісні пристрої Tedeo: Tedeo PRO, Tedeo GO2, Tedeo GO, Tedeo Bridge

Юридичні / екологічні примітки





Пристрій позначено символом перекресленого сміттового контейнера на колесах — його не можна утилізувати разом із побутовими відходами.

Використане обладнання слід передавати до авторизованого пункту збору електричних та електронних відходів (WEEE).

WEEE / RoHS

Щоб запобігти потенційному негативному впливу на довкілля, ознайомтеся з місцевими законами та правилами щодо належної утилізації електронних пристроїв і батарей у вашій країні.

Утилізація батарей — якщо ваш пристрій Tedee містить батареї, не викидайте їх разом зі звичайними побутовими відходами. Передайте їх у відповідний пункт переробки або збору. Батареї, що використовуються в пристроях Tedee, не містять ртуті, кадмію або свинцю понад рівні, визначені Директивою 2006/66/EC.

Утилізація електроніки — не викидайте пристрій Tedee разом зі звичайними побутовими відходами. Передайте його у відповідний пункт переробки або збору.



Bluetooth®

Словесний знак і логотипи Bluetooth® належать Bluetooth SIG, Inc., а будь-яке 98



використання таких знаків компанією Tedee Sp. z o.o. здійснюється за ліцензією.

Google

Google, Android і Google Play є товарними знаками Google LLC.

Apple

Apple і App Store є товарними знаками Apple Inc. iOS є товарним знаком або зареєстрованим товарним знаком Cisco у США та інших країнах і використовується за ліцензією.

tedee® є зареєстрованою торговельною маркою компанії Tedee Sp. z o.o. Авторське право (C) 2022. Усі права захищено.

Інші торговельні марки та торгові найменування належать їхнім відповідним власникам.

Гарантія

Обмежена гарантія на апаратне забезпечення Tedee

Tedee Sp. z o.o. гарантує, що пристрої Tedee не мають апаратних дефектів матеріалів і виготовлення протягом періоду не менше 2 років з дати першої роздрібної покупки.

Tedee Sp. z o.o. не несе відповідальності за неправильне використання пристроїв (включно зі способами заряджання, відмінними від описаних у цьому буклеті), особливо якщо користувач здійснив будь-які зміни або модифікації апаратного чи програмного забезпечення пристрою, які не були схвалені, рекомендовані або надані Tedee.

Повна інформація про гарантію доступна за адресою: www.tedee.com/warranty, за адресою головного офісу виробника, зазначеною на упаковці, а також за адресою support@tedee.com.

Технічна підтримка

E-mail: support@tedee.com





Вебсайт: www.tedee.com/support

Телефон: (+48) 22 307 72 67

Години: 8:00 – 16:00 (CET)

Поштова адреса: Tedee Sp. z o.o., Karola Bohdanowicza 21/57, 02-127 Warsaw, Poland



Rev2026-01

99





tedee DRY CONTACT

Tedee Sp. z o. o.
Karola Bohdanowicza 21/57
02-127 Warszawa
Polska

support@tedee.com
www.tedee.com

