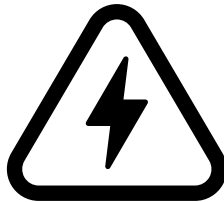
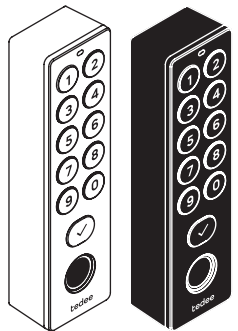


tedee KEYPAD PRO



EN | NEVER plug the device directly into an electrical outlet or 230V/110V power supply. High risk of electrocution and/or fire and physical injury, if ignored.

DO NOT touch the outputs of your installation without proper insulation (i.e. rubber gloves). Even when the device is turned off, the outputs may still be live (actively transmitting electricity).

All installation work should ALWAYS be performed with the power circuit disconnected.

PL | NIGDY nie podłączaj urządzenia bezpośrednio do gniazda elektrycznego lub zasilania 230V/110V. Zignorowanie tego ostrzeżenia grozi porażeniem prądem, pożarem oraz obrażeniami ciała.

NIE DOTYKAJ wyjść instalacji bez odpowiedniej izolacji (np. gumowych rękawic). Nawet gdy urządzenie jest wyłączone, wyjścia mogą być pod napięciem (aktywnie przesyłając energię elektryczną).

Wszystkie prace instalacyjne należy ZAWSZE wykonywać przy odłączonym obwodzie zasilania.

DE | Schließen Sie das Gerät NIEMALS direkt an eine Steckdose oder eine 230V/110V-Stromversorgung an. Bei Nichtbeachtung dieser Warnung besteht die Gefahr von Stromschlägen, Feuer und Verletzungen.

Berühren Sie die Ausgänge des Systems NICHT ohne ausreichende

Isolierung (z. B. Gummihandschuhe). Auch wenn das Gerät ausgeschaltet ist, können die Ausgänge unter Spannung stehen (aktive Stromübertragung).

Führen Sie alle Installationsarbeiten IMMER bei abgeschaltetem Stromkreis durch.

FR | Ne branchez JAMAIS l'appareil directement sur une prise électrique ou une alimentation 230V/110V. En ignorant cet avertissement, vous vous exposez à des risques d'électrocution, d'incendie et de blessure.

NE PAS toucher les sorties du système sans une isolation adéquate (par exemple, des gants en caoutchouc). Même lorsque l'appareil est éteint, les sorties peuvent être sous tension (transmission active d'électricité).

Effectuez TOUJOURS tous les travaux d'installation en débranchant le circuit d'alimentation.

ES | NUNCA conecte la unidad directamente a una toma de corriente o a una fuente de alimentación de 230V/110V. Si ignora esta advertencia, corre el riesgo de sufrir descargas eléctricas, incendios y lesiones.

NO toque las salidas del sistema sin un aislamiento adecuado (por ejemplo, guantes de goma). Incluso cuando la unidad está apagada, las salidas pueden estar bajo tensión (transmitiendo electricidad activamente).

Realice SIEMPRE todos los trabajos de instalación con el circuito de alimentación desconectado.

IT | Non collegare MAI l'unità direttamente a una presa di corrente o a un'alimentazione a 230V/110V. Ignorando questa avvertenza si rischia scosse elettriche, incendi e lesioni.

NON toccare le uscite del sistema senza un adeguato isolamento (ad es. guanti di gomma). Anche quando l'unità è spenta, le uscite possono essere sotto tensione (trasmettono attivamente elettricità).

Eseguire SEMPRE tutti i lavori di installazione con il circuito di alimentazione scollegato.

PT | NUNCA ligue a unidade diretamente a uma tomada elétrica ou a uma fonte de alimentação de 230V/110V. Ignorar este aviso pode provocar choques eléctricos, incêndios e ferimentos.

NÃO toque nas saídas do sistema sem um isolamento adequado (por exemplo, luvas de borracha). Mesmo quando a unidade está desligada, as saídas podem estar sob tensão (transmitindo electricidade ativamente).

Efectue SEMPRE todos os trabalhos de instalação com o circuito de alimentação desligado.

DA | Tilslut ALDRIG enheden direkte til en stikkontakt eller en 230V/110V-strømforsyning. Hvis denne advarsel ignoreres, er der risiko for elektrisk stød, brand og personskade.

Rør IKKE ved systemets udgange uden tilstrækkelig isolering (f.eks. gummihandsker). Selv når enheden er slukket, kan udgangen være spændingsførende (aktivt transmitterende elektricitet).

Udfør ALTID alt installationsarbejde med strømkretsen frakoblet.

NL | Sluit het apparaat NOOIT rechtstreeks aan op een stopcontact of 230V/110V voeding. Het negeren van deze waarschuwing kan leiden tot elektrische schokken, brand en verwondingen.

Raak de uitgangen van het systeem NIET aan zonder afdoende isolatie (bv. rubberen handschoenen). Zelfs als de unit is uitgeschakeld, kunnen de uitgangen onder spanning staan (actief elektriciteit uitzendend).

Voer alle installatiewerkzaamheden ALTIJD uit terwijl het stroomcircuit is uitgeschakeld.

SE | Anslut ALDRIG enheten direkt till ett eluttag eller 230V/110V strömförsörjning. Om du ignorerar

denna varning finns risk för elektrisk stöt, brand och personskador.

Vidrör INTE systemets utgångar utan tillräcklig isolering (t.ex. gummihandskar). Även när enheten är avstängd kan utgångarna vara spänningsförande (aktivt överföra elektricitet).

Utför ALLTID alt installationsarbete med strømkretsen fränkoblad.

NO | Koble ALDRIG enheten direkte til en stikkontakt eller 230V/110V strømforsyning. Hvis du ignorerer denne advarsel, risikerer du elektrisk støt, brann og personskade.

IKKE ta på systemets utganger uten tilstrekkelig isolasjon (f.eks. gummihandsker). Selv når enheten er slått av, kan utgangen være spenningsførende (aktiv overføring av elektrisitet).

Utfør ALLTID alt installasjonsarbeid med strømkretsen frakoblet.

FI | ÄLÄ KOSKAAN kytkä laitetta suoraan pistorasiaan tai 230V/110V virtalähteeseen. Tämän varoituksen huomiotta jättäminen aiheuttaa sähköiskun, tulipalon ja loukkaantumisen vaaran.

ÄLÄ koske järjestelmän ulostuloihin ilman riittävää eristystä (esim. kumihandskat). Vaikka yksiköllä olisi kytketty pois päältä, lähdöt voivat olla jännitteisiä (lähettää aktiivisesti sähköä).

Suorita AINA kaikki asennustyöt virtapiirin ollessa katkaistuna.

RO | Nu conectați NICIODATĂ unitatea direct la o priză electrică sau la o sursă de alimentare de 230V/110V. Dacă ignorați acest avertisment, riscați să vă electrocuțeze, să provocați incendii și să vă răniți.

NU atingeți ieșirile sistemului fără o izolație adecvată (de exemplu, mănuși de cauciuc). Chiar și atunci când unitatea este oprită, ieșirile pot fi sub tensiune (transmit electricitate în mod activ).

Efectuați ÎNTOTDEAUNA toate lucrările de instalare cu circuitul de alimentare deconectat.

BG | НИКОГА не свързвайте устройството директно към електрически контакт или захранване 230V/110V. Пренебрегването на това предупреждение крие риск от токов удар, пожар и нараняване.

НЕ докосвайте изходите на системата без подходяща изолация (напр. гумени ръкавици). Дори когато устройството е изключено, изходите може да са под напрежение (активно да предават електричество).

ВСИЧКИ монтажни работи извършвайте при изключена електрическа верига.

EL | ΠΟΤΕ μην συνδέετε τη μονάδα απευθείας σε ηλεκτρική πρίζα ή σε λαροχή ρεύματος 230V/110V. Η αγνόηση αυτής της προειδοποίησης ενέχει κίνδυνο ηλεκτροπληξίας, πυρκαγιάς και τραυματισμού.

ΜΗΝ αγγίζετε τις εξόδους του συστήματος χωρίς επαρκή μόνωση (π.χ. λαστίχια γάντια). Ακόμη και όταν η μονάδα είναι απενεργοποιημένη, οι εξόδοι ενδέχεται να βρίσκονται υπό τάση (μεταδίδουν ενεργά ηλεκτρικό ρεύμα).

Πραγματοποιείτε PANTA όλες τις εργασίες εγκατάστασης με απενεργοποιημένο το κύκλωμα ρεύματος.

CR | NIKADA ne spajajte uređaj izravno na električnu utičnicu ili izvor napajanja od 230V/110V. Ignoriranje ovog upozorenja može rezultirati električnim udarom, požarom i ozljedama.

NE DIRAJTE instalacijske utičnice bez odgovarajuće izolacije (npr. gumene rukavice). Čak i kada je uređaj isključen, izlazi mogu biti pod naponom (aktivno prenose električnu energiju).

Sve instalacijske radove UVIJEK treba izvoditi s isključenim strujnim krugom.

HU | SOHA ne csatlakoztassa a

készüléket közvetlenül konnektorhoz vagy 230V/110V-os tápegységhez. A figyelmeztetés figyelmen kívül hagyása áramütés, tűz és sérülés veszélyével jár.

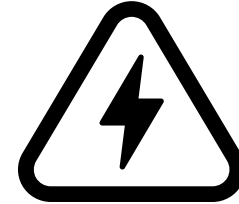
NE érintse meg a rendszer kimenetét megfelelő szigetelés (pl. gumikesztyű) nélkül. Még kikapcsolt állapotban is előfordulhat, hogy a kimenetek feszültség alatt állnak (aktívan továbbítják az áramot).

MINDIG végezze el minden szerelési munkát a tápáramkör leválasztásával.

RU | НИКОГДА не подключайте устройство непосредственно к электрической розетке или источнику питания 230В/110В. Игнорирование этого предупреждения чревато поражением электрическим током, пожаром и травмами.

НЕ прикасайтесь к выходам системы без соответствующей изоляции (например, в резиновых перчатках). Даже когда устройство выключено, выходы могут находиться под напряжением (активно передавать электричество).

ВСЕГДА выполняйте все монтажные работы при отключенной цепи питания.



support@tedee.com



www.tedee.com/support



(+48) 22 307 72 67
8.00 - 16.00 (CET)



Tedee Sp. z o. o.
Karola Bohdanowicza 21/57
02-127 Warszawa
Polska

The Bluetooth® word mark and logos are registered trademarks owned by Bluetooth SIG, Inc. and any use of such marks by Tedee Sp. z o.o. is under license. Other trademarks and trade names are those of their respective owners.

Google, Android and Google Play are trademarks of Google LLC.

Apple and App Store are trademarks of Apple Inc. iOS is a trademark or registered trademark of Cisco in the U.S. and other countries and is used under license.



FR
Cet appareil, ses piles et cordons se recyclent

À DÉPOSER EN MAGASIN

À DÉPOSER EN DÉCHÈTERIE

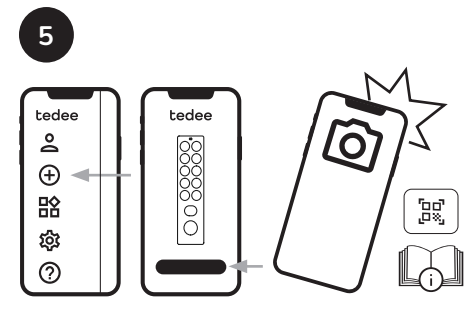
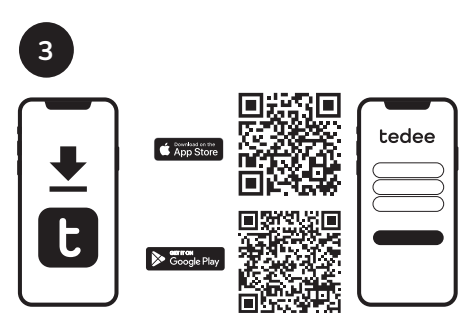
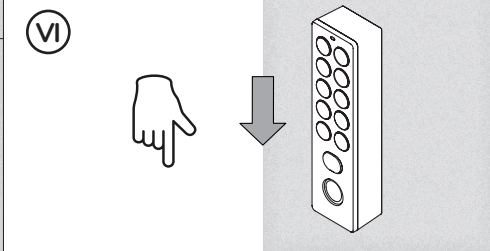
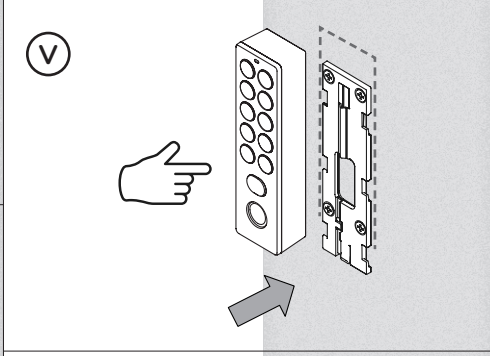
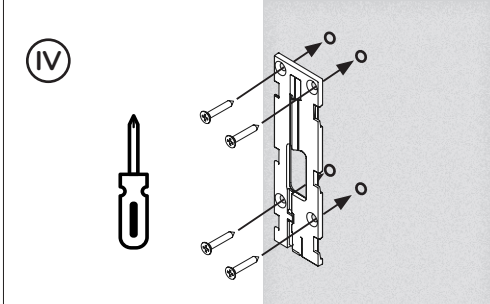
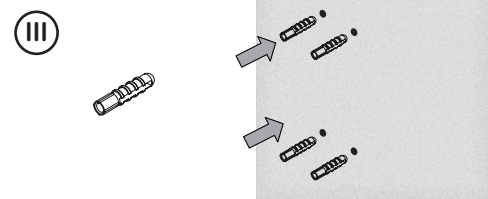
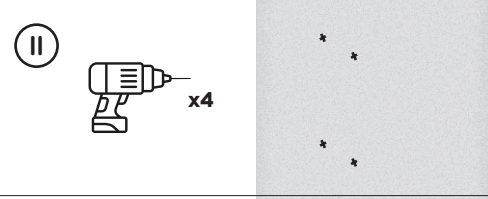
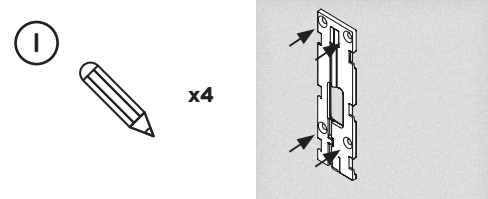
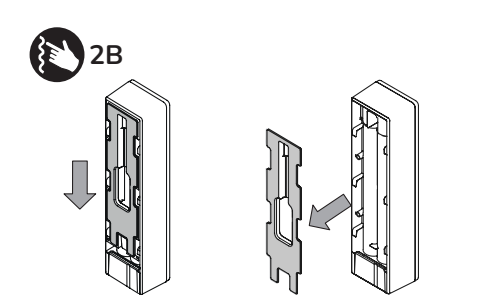
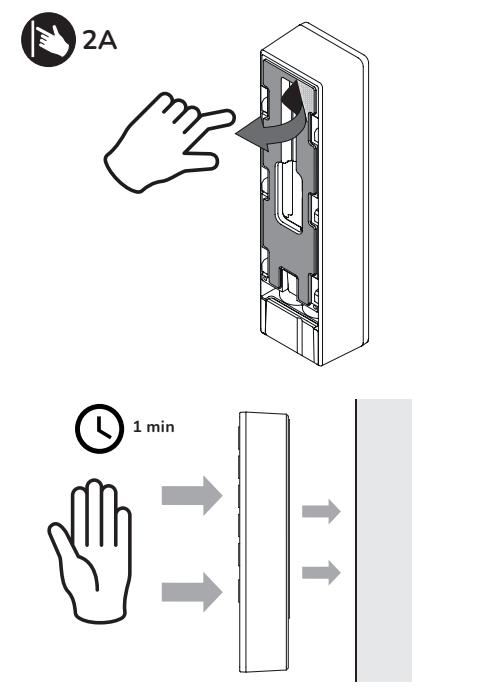
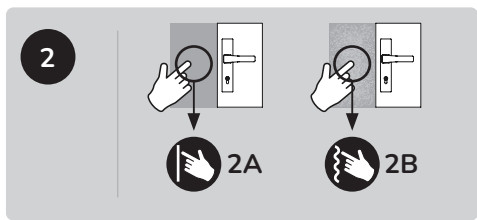
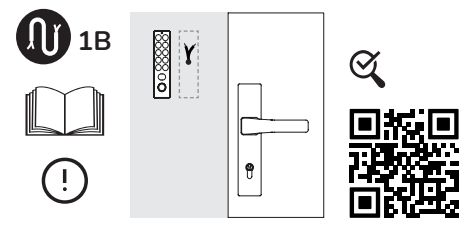
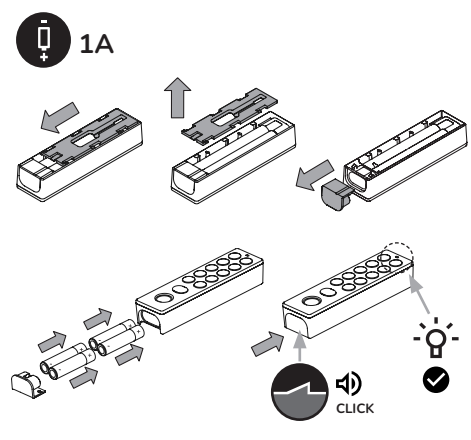
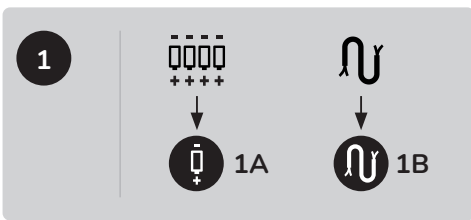
OU



Points de collecte sur www.quefairedemesdechets.fr



Rev9





tedee KEYPAD PRO



- | | |
|--------------------------------|-------------------------------|
| Safety information | πληροφορίες ασφάλειας |
| Informacje o bezpieczeństwie | Sigurnosne informacije |
| Sicherheitsinformationen | Biztonsági információk |
| Considérations sur la sécurité | Інформація з техніки безпеки |
| Información de seguridad | Technika bezpečnosti |
| Informazioni sulla sicurezza | Ohutusalane teave |
| Informação de segurança | Saugos informacija |
| Sikkerhedsoplysninger | Drošības informācija |
| Veiligheidsinformatie | Bezpečnostní informace |
| Säkerhetsinformation | Bezpečnostné informácie |
| Sikkerhetsinformasjon | Varnostne informacije |
| Turvallisuustietoja | Faisnéis sábháilteachta |
| Informații siguranță | Informazzjoni dwar is-sigurtà |
| Předpazni merki | |







tedee KEYPAD PRO

EN: SAFETY INFORMATION	2	EL: ΠΛΗΡΟΦΟΡΙΕΣ ΑΣΦΑΛΕΙΑΣ	41
PL: INFORMACJE O BEZPIECZEŃSTWIE	5	HR: SIGURNOSNE INFORMACIJE	44
DE: SICHERHEITSINFORMATIONEN	8	HU: BIZTONSÁGI INFORMÁCIÓK	47
FR: CONSIDÉRATIONS SUR LA SÉCURITÉ	11	UA: ІНФОРМАЦІЯ З ТЕХНІКИ БЕЗПЕКИ	49
ES: INFORMACIÓN DE SEGURIDAD	14	RU: ТЕХНИКА БЕЗОПАСНОСТИ	52
IT: INFORMAZIONI SULLA SICUREZZA	16	ET: OHUTUSALANE TEAVE	55
PT: INFORMAÇÃO DE SEGURANÇA	19	LT: SAUGOS INFORMACIJA	58
DK: SIKKERHEDSOPLYSNINGER	22	LV: DROŠĪBAS INFORMĀCIJA	60
NL: VEILIGHEIDSINFORMATIE	25	CS: BEZPEČNOSTNÍ INFORMACE	63
SE: SÄKERHETSINFORMATION	27	SK: BEZPEČNOSTNÉ INFORMÁCIE	66
NO: SIKKERHETSINFORMASJON	30	SL: VARNOSTNE INFORMACIJE	68
FI: TURVALLISUUSTIETOJA	33	GA: FAISNÉIS SÁBHÁILTEACHTA	71
RO: INFORMAȚII SIGURANȚĂ	35	MT: INFORMAZZJONI DWAR IS-SIGURTÀ	74
BG: ПРЕДПАЗНИ МЕРКИ	38		





EN: SAFETY INFORMATION

BATTERY SAFETY GUIDELINES / WARNINGS

Battery-powered Tedee keypad set includes non-rechargeable and non-user-serviceable batteries.

Do not

- Do not charge non-rechargeable batteries.
- Do not disassemble, puncture, modify, drop, throw, or cause other unnecessary shocks to batteries.
- Do not leave or store batteries in hot places such as near an oven, stove, direct sunlight or other heat source.
- Do not place batteries into a microwave oven, or into any other high-pressure container.
- Do not immerse batteries in liquids or allow them to come into contact with liquids.
- Do not short circuit batteries.
- Do not use batteries that appear to be leaking, discolored, rusty, deformed; emit an odor; or are otherwise abnormal.
- Do not touch leaking batteries.
- Do not mix old and new batteries.
- Do not continue to charge batteries longer than the specified time.
- Keep the batteries away from children under the age of 3. If swallowed, contact your local medical help immediately.

RECOMMENDED BATTERIES

To power your Keypad PRO, you need to use 4 AAA batteries. We only allow the use of AAA batteries of 1,5V (LR03).

WARNING:

Risk of permanent damage to the device and warranty loss if batteries with an operating voltage exceeding 1,5V are installed!

- Do insert new batteries correctly, following the symbols for positioning the positive (+) and negative (-) ends of each battery. Do not reverse battery polarity.
- Do store batteries in a cool, dry place at normal room temperature.
- Do segregate, recycle, and dispose of the batteries according to your local regulations. For more information contact your local authority.
- Use the included batteries at an operating temperature of -20 to +54°C, and store them at a temperature of -30 to +45°C. Exceeding these ranges may result in damage, loss of properties, leakage, or explosion of the battery. The above temperature ranges may vary depending on the battery manufacturer.
- When replacing batteries in the device use only one type of batteries (do not mix).

Other information

- Dispose the devices and its accessories in accordance with your local regulations. If possible, recycle.
- Do not dispose the device as a household waste and do not burn it.
- This device is safe to use under normal and reasonably foreseeable misuse operating code of conduct. If you notice any signs of errors or hardware malfunction, contact tedee technical support for help. In such case this device should be returned to tedee for necessary repairs under the warranty conditions. Any changes or modifications to the device's hardware or software which are not approved, recommended, or provided by tedee may void your warranty.
- This device requires power source and Bluetooth(R) connection for proper operation and may require an Internet connection to use some of its features. The manufacturer is not responsible for potential room access problems resulting from lack of internet access or failure or exhaustion of the power source.





- This device is not intended for use as part of a home security system. The manufacturer does not declare any anti-burglary properties or attestations, certificates or classes of anti-burglary protection for the device. The manufacturer shall not be liable for any potential damage/injury sustained due to theft, burglary or intrusion resulting from damage, overcoming or unauthorized gaining control of the device.
- This device may require the purchase of additional products to enable some of its features. If in doubt, please contact tedee support.
- This device may require the processing of sensitive personal data, such as biometric data, to access some of its functions. Such processing is entirely voluntary and carried out on the basis of the user's explicit consent, which can be withdrawn at any time.
- Neither Tedee Sp. z o.o., nor our retailers are responsible for failure to comply with the above warnings and safety guidelines. By purchasing this device, the buyer acknowledges all risks associated with the use of tedee equipment. If you do not agree to these terms, return the device to the manufacturer or distributor before use.

Maintenance

- Remove the batteries from the device before cleaning. Do not use any lubricants, cleaning agents, polishes or air fresheners on any part of the device. Wipe it with a dry cloth only.
- If the device housing or keypad is found to be worn to the extent that the integrity of the housing is compromised, contact tedee technical support.

CONNECTION TO THE DOMESTIC ELECTRICAL SYSTEM

While connecting your Keypad PRO to your home electrical system:

- 1) Always perform any installation work with your power circuitry off (turn the plugs off).

- 2) Install the device using the DC 5- 24V power circuitry. NEVER plug the device directly into an electrical outlet or 230V/110V power supply. High risk of electrocution or fire and physical injury, if ignored.

- 3) Make sure that Keypad PRO is also powered with the recommended 4xAAA batteries, in case of potential power outages which may otherwise limit your capacity to access premises.

- 4) In case of any doubts regarding installation, please contact us at <https://tedee.com/get-support> or reach out to the local professional electrician.

Neither Tedee Sp. z o.o., nor our retailers are responsible for any potential damages of any kind or access control issues resulting from improper installation of Tedee Keypad PRO to the user's home electrical system. The above includes both user's own improper actions, as well as damages caused by third-party installation services providers.

TECHNICAL INFORMATION

Technical specifications

Model: TKV2.0

Power supply: 4 batteries AAA

Bluetooth® communication: BLE 5.2 2.4GHz

Dimensions: 125 x 33 x 23,5 mm

Operating temperature: from -30°C to 50°C





Frequency range: from 2.4GHz to 2.483GHz (maximum output power: 8dBm)

Operating humidity: maximum 95%

Recommended setup
max. 2 meters from tedee lock max. 2 meters from tedee bridge

LEGAL / ENVIRONMENTAL NOTES

EU Declaration of Conformity

Tedee Sp. z o.o. hereby declares that the Tedee Keypad PRO TKV2.0 radio device is in accordance with Directive 2014/53/EU. The full text of the EU Declaration of Conformity is available at the following internet address: www.tedee.com/compliance.

WEEE / RoHS

To prevent potential negative impact on the environment, consult your local laws and regulations for the proper disposal of electronic devices and batteries in your country. Disposal of batteries – if your tedee device contains batteries, do not dispose them with regular household waste. Hand them over to an appropriate recycling facility or a collection point. Batteries used in tedee devices do not contain mercury, cadmium, or lead above the levels specified in 2006/66/EC Directive. Disposal of electronics - do not dispose your tedee device with regular household waste. Hand it over to an appropriate recycling facility or a collection point.

Bluetooth®

The Bluetooth® word mark and logos are owned by the Bluetooth SIG, Inc. and any use of such marks by Tedee Sp. z o.o. is under licence. Other trademarks and trade names are those of their respective owners.

4

Google, Android and Google Play are trademarks of Google LLC.

Apple and App Store are trademarks of Apple Inc. IOS is a trademark or registered trademark of Cisco in the U.S. and other countries and is used under license.

UKCA Declaration of Conformity

Manufacturer (Tedee Sp. z o.o., K.Bohdanowiczka 21/57, 02-127 Warsaw, Poland) hereby declares that the Tedee Keypad PRO TKV2.0 radio device is in accordance with The UK Electrical Equipment (Safety) Regulations 2016, The UK Electromagnetic Compatibility Regulations 2016 and The UK Radio Equipment Regulations 2017. The full text of the UKCA Declaration of Conformity is available at the following internet address: www.tedee.com/compliance.

PSTI Cybersecurity Statement of Compliance:

Manufacturer (Tedee Sp. z o.o., K.Bohdanowiczka 21/57, 02-127 Warsaw, Poland) hereby declares that, in manufacturer's opinion, this Tedee Keypad PRO (TKV2.0) with the defined support period of December 31, 2027 complies with the security requirements of Schedule 2 of the UK Product Security and Telecommunications Infrastructure Regulations 2023. The full text of the UKCA Declaration of Conformity is available at the following internet address: www.tedee.com/compliance.

RCM: This product is compliant with the Australian Radiocommunications Equipment (General) Rules 2021 and Radiocommunications Labelling (Electromagnetic Compatibility) Notice 2017.

tedee® is a registered trademark of Tedee Sp. z o.o. Copyright (C) 2022. All rights reserved.

FCC:

This device complies with Part 15 of the FCC Rules. Operation is subject to the





following two conditions:

- (1) This device may not cause harmful interference, and
- (2) This device must accept any interference received, including interference that may cause undesired operation.

Any change or modification to the product not expressly approved by Tedeo Sp. z o.o. could void the user's authority to operate the device.

This equipment complies with FCC radiation exposure limits set forth for an occupational/controlled environment.

Product Warranty

This product is covered by a warranty as defined in the Magnuson-Moss Warranty Act (15 U.S.C. § 2301 et seq.). The warranty is limited to the terms and conditions specified by the manufacturer or supplier, available at www.tedeo.com/warranty or at support@tedeo.com.

ISED:

This device contains licence-exempt transmitter(s)/receiver(s) that comply with Innovation, Science and Economic Development Canada's licence-exempt RSS(s). Operation is subject to the following two conditions:

- (1) This device may not cause interference.
- (2) This device must accept any interference, including interference that may cause undesired operation of the device.

This equipment complies with RSS-102 radiation exposure limits set forth for an occupational/controlled environment.

PL: INFORMACJE O BEZPIECZEŃSTWIE

WSKAZÓWKI/OSTRZEŻENIA DOTYCZĄCE BEZPIECZEŃSTWA BATERII

Zestaw klawiatury Tedeo zasilanej bateryjnie zawiera baterie jednorazowe i nienadające się do ponownego ładowania przez użytkownika.

Nie

- Nie ładuj baterii jednorazowych.
- Baterie nie należy demontować, przebijać, modyfikować, upuszczać, rzucać ani powodować innych niepotrzebnych wstrząsów.
- Nie pozostawiaj ani nie przechowuj baterii w gorących miejscach, takich jak w pobliżu piekarnika, kuchenki, bezpośredniego światła słonecznego lub innego źródła ciepła.
- Nie wkładaj baterii do kuchenki mikrofalowej ani do żadnego innego pojemnika wysokociśnieniowego.
- Nie zanurzaj baterii w cieczach ani nie dopuszczaj do ich kontaktu z cieczami.
- Nie zwieraj akumulatorów.
- Nie używaj baterii, które wydają się przeciekać, odbarwione, zardzewiałe lub zdeformowane; wydzielać zapach; lub są w inny sposób nieprawidłowe.
- Nie dotykaj wyciekających baterii.
- Nie mieszaj starych i nowych baterii.
- Nie ładuj akumulatorów dłużej niż podany czas.
- Baterie należy przechowywać z dala od dzieci poniżej 3 roku życia. W przypadku potknięcia należy natychmiast skontaktować się z lokalną pomocą medyczną.

ZALECANE BATERIE

Do zasilania Keypad PRO potrzebne są 4 baterie AAA. Dopuszczamy użycie wyłącznie baterii AAA o napięciu 1,5 V (LR03).

OSTRZEŻENIE:

Ryzyko trwałego uszkodzenia urządzenia i utraty gwarancji w przypadku zamontowania akumulatorów o napięciu roboczym przekraczającym 1,5V!

- Wtóż nowe baterie prawidłowo, postępując zgodnie z symbolami połączenia dodatniego (+) i ujemnego (-) końca każdej baterii. Nie odwracaj polaryzacji baterii.
- Baterie należy przechowywać w chłodnym, suchym miejscu o normalnej





temperaturze pokojowej.

- Baterie należy segregować, poddawać recyklingowi i utylizować zgodnie z lokalnymi przepisami. Aby uzyskać więcej informacji, skontaktuj się z władzami lokalnymi.
- Używaj dołączonych baterii w temperaturze roboczej od -20 do +54° C i przechowuj je w temperaturze od -30 do +45°C. Przekroczenie tych zakresów może spowodować uszkodzenie, utratę właściwości, wyciek lub eksplozję akumulatora. Powyższe zakresy temperatur mogą się różnić w zależności od producenta akumulatora.
- Podczas wymiany baterii w urządzeniu należy używać tylko jednego rodzaju baterii (nie mieszać).

INNE INFORMACJE

- Urządzenia i ich akcesoria należy utylizować zgodnie z lokalnymi przepisami. Jeśli to możliwe, poddaj recyklingowi.
- Nie wyrzucaj urządzenia razem z odpadami domowymi i nie spalaj go.
- Korzystanie z tego urządzenia jest bezpieczne w ramach normalnego i dającego się racjonalnie przewidzieć kodeksu postępowania dotyczącego nieprawidłowego użycia. Jeśli zauważysz jakiegokolwiek oznaki błędów lub nieprawidłowego działania sprzętu, skontaktuj się z pomocą techniczną tedee w celu uzyskania pomocy. W takim przypadku urządzenie należy zwrócić do tedee w celu dokonania niezbędnych napraw w ramach warunków gwarancji. Wszelkie zmiany lub modyfikacje sprzętu lub oprogramowania urządzenia, które nie zostały zatwierdzone, zalecane lub dostarczone przez tedee, mogą unieważnić gwarancję.
- To urządzenie do prawidłowego działania wymaga źródła zasilania i połączenia Bluetooth(R), a do korzystania z niektórych jego funkcji może być wymagane połączenie z Internetem. Producent nie ponosi odpowiedzialności za potencjalne problemy z dostępem do pomieszczeń powstałe na skutek braku dostępu do Internetu bądź awarii lub wyczerpania źródła zasilania.
- To urządzenie nie jest przeznaczone do użytku jako część domowego systemu bezpieczeństwa. Producent nie deklaruje dla urządzenia żadnych

6

właściwości antywłamaniowych, atestów, certyfikatów ani klas zabezpieczenia antywłamaniowego. Producent nie ponosi odpowiedzialności za ewentualne szkody/urazy powstałe na skutek kradzieży, włamania lub włamania powstałe w wyniku uszkodzenia, przekroczenia lub nieuprawnionego przejścia kontroli nad urządzeniem.

- To urządzenie może wymagać zakupu dodatkowych produktów, aby włączyć niektóre jego funkcje. W razie wątpliwości prosimy o kontakt z obsługą tedee .
- To urządzenie może wymagać przetwarzania wrażliwych danych osobowych, takich jak dane biometryczne, aby uzyskać dostęp do niektórych jego funkcji. Takie przetwarzanie jest całkowicie dobrowolne i odbywa się w oparciu o wyraźną zgodę użytkownika, która może zostać w każdej chwili wycofana.
- Ani Tedee Sp. z oo ani nasi sprzedawcy nie ponoszą odpowiedzialności za nieprzestrzeganie powyższych ostrzeżeń i wskazówek bezpieczeństwa. Kupując to urządzenie, kupujący przyjmuje do wiadomości wszelkie ryzyko związane z użytkowaniem sprzętu tedee . Jeśli nie zgadzasz się z niniejszymi warunkami, przed użyciem zwróć urządzenie producentowi lub dystrybutorowi.

KONSERWACJA

- Przed czyszczeniem należy wyjąć baterie z urządzenia. Nie używaj żadnych smarów, środków czyszczących, past nabysszczających ani odświeżaczy powietrza na żadnej części urządzenia. Wycieraj go wyłącznie suchą szmatką.
- Jeżeli okaże się, że obudowa urządzenia lub klawiatura są zużyte w stopniu naruszającym integralność obudowy, należy skontaktować się z pomocą techniczną tedee .

PODŁĄCZENIE DO DOMOWEJ INSTALACJI ELEKTRYCZNEJ

Podczas podłączania Keypad PRO do domowej instalacji elektrycznej:

- 1) Zawsze wykonuj wszelkie prace instalacyjne przy wyłączonym obwodzie zasilania (wyłącz wtyczki).





2) Zainstaluj urządzenie, korzystając z obwodu zasilania DC 5–24 V. NIGDY nie podłączaj urządzenia bezpośrednio do gniazdka elektrycznego lub źródła zasilania 230V/110V. Wysokie ryzyko porażenia prądem elektrycznym lub pożaru i obrażeń fizycznych w przypadku zignorowania.

3) Upewnij się, że Keypad PRO jest również zasilany zalecanymi bateriami 4xAAA, na wypadek potencjalnych przerw w dostawie prądu, które w przeciwnym razie mogłyby ograniczyć Twoją zdolność dostępu do obiektu.

4) W przypadku jakichkolwiek wątpliwości dotyczących montażu prosimy o kontakt pod adresem <https://tedee.com/get-support> lub o kontakt z lokalnym elektrykiem.

Ani Tedee Sp. z oo ani nasi sprzedawcy nie ponoszą odpowiedzialności za jakiegokolwiek potencjalne szkody lub problemy z kontrolą dostępu wynikające z nieprawidłowej instalacji Tedee Keypad PRO w domowej instalacji elektrycznej użytkownika. Powyższe obejmuje zarówno niewłaściwe działania własne użytkownika, jak i szkody spowodowane przez zewnętrznych dostawców usług instalacyjnych.

INFORMACJE TECHNICZNE

Specyfikacje techniczne

Model
TKV2.0

Zasilanie
4 baterie AAA
Komunikacja Bluetooth®
BLE 5.2 2,4 GHz

Wymiary
125 x 33 x 23,5 mm

Temperatura pracy
od -30°C do 50°C

Zakres częstotliwości
od 2,4 GHz do 2,483 GHz,
maksymalna moc wyjściowa: 8 dBm

wilgotność robocza
95%

Zalecana konfiguracja
maks. 2 metry od zamka tedee max. 2 metry od mostu Tedee

UWAGI PRAWNE/ŚRODOWISKOWE

Deklaracja zgodności UE

Tedee Sp. z oo oświadcza, że urządzenie radiowe Tedee Keypad PRO TKV2.0 jest zgodne z Dyrektywą 2014/53/UE. Pełny tekst Deklaracji zgodności UE jest dostępny pod następującym adresem internetowym: www.tedee.com/compliance.

WEEE/RoHS

Aby zapobiec potencjalnemu negatywnemu wpływowi na środowisko, należy zapoznać się z lokalnymi przepisami i regulacjami dotyczącymi prawidłowej utylizacji urządzeń elektronicznych i baterii w swoim kraju. Utylizacja baterii – jeśli Twoje urządzenie tedee zawiera baterie, nie wyrzucaj ich razem ze zwykłymi odpadami domowymi. Przekaż je odpowiedniemu zakładowi recyklingu lub punktowi zbiórki. Baterie stosowane w urządzeniach tedee nie zawierają rtęci, kadmu ani ołowiu w ilościach wyższych niż określone w Dyrektywie 2006/66/WE. Utylizacja elektroniki – nie wyrzucaj urządzenia tedee razem ze zwykłymi odpadami domowymi. Przekaż go odpowiedniemu zakładowi recyklingu lub punktowi zbiórki.





Bluetooth®

Znak stowny i logo Bluetooth® są własnością firmy Bluetooth SIG, Inc. i wszelkie wykorzystanie takich znaków przez Tedee Sp. z oo jest objęta licencją. Inne znaki towarowe i nazwy handlowe należą do ich odpowiednich właścicieli.

Google, Android i Google Play są znakami towarowymi firmy Google LLC.

Apple i App Store są znakami towarowymi firmy Apple Inc. IOS jest znakiem towarowym lub zastrzeżonym znakiem towarowym firmy Cisco w USA i innych krajach i jest używany na podstawie licencji.

DE: SICHERHEITSHINWEISE

Sicherheitshinweise/Warnhinweise zur Batterie

Das batteriebetriebene Tedee-Tastaturset enthält nicht wiederaufladbare und nicht vom Benutzer zu wartende Batterien.

Nicht

- Laden Sie keine nicht wiederaufladbaren Batterien auf.
- Die Batterien dürfen nicht zerlegt, durchstoßen, verändert, fallengelassen oder geworfen werden und sie dürfen keinen anderen unnötigen Stößen ausgesetzt werden.
- Lassen Sie Batterien nicht an heißen Orten liegen oder lagern Sie sie nicht in der Nähe eines Ofens, Herds, in direktem Sonnenlicht oder anderen Wärmequellen.
- Legen Sie Batterien nicht in eine Mikrowelle oder in andere Hochdruckbehälter.
- Tauchen Sie Batterien nicht in Flüssigkeiten und lassen Sie sie nicht mit Flüssigkeiten in Kontakt kommen.
- Schließen Sie Batterien nicht kurz.
- Verwenden Sie keine Batterien, die undicht, verfärbt, rostig oder verformt zu sein scheinen, einen Geruch abgeben oder anderweitig ungewöhnlich sind.

8

- Berühren Sie keine auslaufenden Batterien.
- Mischen Sie keine alten und neuen Batterien.
- Laden Sie Akkus nicht länger als die angegebene Zeit auf.
- Bewahren Sie die Batterien außerhalb der Reichweite von Kindern unter 3 Jahren auf. Bei Verschlucken wenden Sie sich sofort an Ihren örtlichen Arzt.

EMPFOHLENE BATTERIEN

Zur Stromversorgung Ihres Keypad PRO benötigen Sie 4 AAA-Batterien. Wir erlauben ausschließlich die Verwendung von AAA-Batterien mit 1,5 V (LR03).

WARNUNG:

Gefahr einer dauerhaften Beschädigung des Gerätes und Garantieverlust bei Einbau von Akkus mit einer Betriebsspannung über 1,5V!

- Legen Sie neue Batterien richtig ein und beachten Sie die Symbole für die Positionierung der positiven (+) und negativen (-) Pole jeder Batterie. Vertauschen Sie die Batteriepolartität nicht.
- Lagern Sie Batterien an einem kühlen, trockenen Ort bei normaler Raumtemperatur.
- Trennen, recyceln und entsorgen Sie die Batterien gemäß den örtlichen Vorschriften. Weitere Informationen erhalten Sie bei Ihrer örtlichen Behörde.
- Verwenden Sie die mitgelieferten Batterien bei einer Betriebstemperatur von -20 bis +54° C und lagern Sie sie bei einer Temperatur von -30 bis +45° C. Das Überschreiten dieser Bereiche kann zu Schäden, Verlust von Eigenschaften, Auslaufen oder Explosion der Batterie führen. Die oben genannten Temperaturbereiche können je nach Batteriehersteller variieren.
- Verwenden Sie beim Batteriewechsel im Gerät nur einen Batterietyp (nicht mischen).





Weitere Informationen

- Entsorgen Sie das Gerät und dessen Zubehör entsprechend den örtlichen Vorschriften. Führen Sie es, wenn möglich, dem Recycling zu.
- Entsorgen Sie das Gerät nicht im Hausmüll und verbrennen Sie es nicht.
- Dieses Gerät kann unter normalen und vernünftigerweise vorhersehbaren Betriebsregeln sicher verwendet werden. Wenn Sie Anzeichen von Fehlern oder Hardware-Fehlfunktionen bemerken, wenden Sie sich an den technischen Support von tedee. In diesem Fall muss dieses Gerät im Rahmen der Garantiebedingungen für notwendige Reparaturen an tedee zurückgeschickt werden. Jegliche Änderungen oder Modifikationen an der Hardware oder Software des Geräts, die nicht von tedee genehmigt, empfohlen oder bereitgestellt wurden, können zum Erlöschen Ihrer Garantie führen.
- Dieses Gerät benötigt für den ordnungsgemäßen Betrieb eine Stromquelle und eine Bluetooth(R)-Verbindung. Für die Nutzung einiger seiner Funktionen ist möglicherweise eine Internetverbindung erforderlich. Der Hersteller ist nicht für mögliche Probleme beim Zugang zum Raum verantwortlich, die sich aus fehlendem Internetzugang oder einem Ausfall oder einer Erschöpfung der Stromquelle ergeben.
- Dieses Gerät ist nicht für die Verwendung als Teil eines Heimsicherheitssystems vorgesehen. Der Hersteller erklärt keine Einbruchschutzigenschaften oder Atteste, Zertifikate oder Einbruchschutzklassen für das Gerät. Der Hersteller haftet nicht für mögliche Schäden/Verletzungen, die durch Diebstahl, Einbruch oder Eindringen infolge von Beschädigung, Überwindung oder unbefugter Kontrolle des Geräts entstehen.
- Für einige Funktionen dieses Geräts sind möglicherweise zusätzliche Produkte erforderlich. Wenden Sie sich im Zweifelsfall bitte an den tedee- Support.
- Für den Zugriff auf einige Funktionen dieses Geräts kann die Verarbeitung sensibler personenbezogener Daten, wie etwa biometrischer Daten, erforderlich sein. Diese Verarbeitung erfolgt vollkommen freiwillig und auf Grundlage der ausdrücklichen Einwilligung des Benutzers, die jederzeit widerrufen werden kann.
- Weder Tedee Sp. z oo noch unsere Händler sind für die Nichtbeachtung der

oben genannten Warnungen und Sicherheitsrichtlinien verantwortlich. Mit dem Kauf dieses Geräts erkennt der Käufer alle mit der Verwendung von Tedee-Geräten verbundenen Risiken an. Wenn Sie mit diesen Bedingungen nicht einverstanden sind, geben Sie das Gerät vor der Verwendung an den Hersteller oder Händler zurück.

Wartung

- Nehmen Sie vor dem Reinigen die Batterien aus dem Gerät. Verwenden Sie an keinem Teil des Geräts Schmiermittel, Reinigungsmittel, Polituren oder Lufterfrischer. Wischen Sie es nur mit einem trockenen Tuch ab.
- Wenn das Gerätegehäuse oder die Tastatur so abgenutzt sind, dass die Integrität des Gehäuses beeinträchtigt ist, wenden Sie sich an den technischen Support von tedee.

ANSCHLUSS AN DAS ELEKTRISCHE HAUSNETZ

Beim Anschließen Ihres Keypad PRO an Ihr elektrisches Haussystem:

- 1) Führen Sie sämtliche Installationsarbeiten stets bei ausgeschaltetem Stromkreis durch (schalten Sie die Stecker aus).
- 2) Installieren Sie das Gerät mit einem DC 5-24V-Stromkreis. Schließen Sie das Gerät NIEMALS direkt an eine Steckdose oder ein 230V/110V-Netzteil an. Bei Nichtbeachtung besteht hohes Risiko eines Stromschlags oder Brandes sowie von Verletzungen.
- 3) Stellen Sie sicher, dass Keypad PRO auch mit den empfohlenen 4xAAA-Batterien betrieben wird, für den Fall möglicher Stromausfälle, die Ihren Zugang zu Räumlichkeiten andernfalls einschränken könnten.
- 4) Bei Zweifeln bezüglich der Installation kontaktieren Sie uns bitte unter <https://tedee.com/get-support> oder wenden Sie sich an einen Elektriker vor Ort.





Weder Tedee Sp. z oo noch unsere Händler haften für etwaige Schäden jeglicher Art oder Probleme mit der Zugangskontrolle, die sich aus einer unsachgemäßen Installation des Tedee Keypad PRO im elektrischen Haussystem des Benutzers ergeben. Das Obige umfasst sowohl unsachgemäße Handlungen des Benutzers als auch Schäden, die durch Drittanbieter von Installationsdienstleistungen verursacht werden.

TECHNISCHE INFORMATIONEN

Technische Daten

Modell
TKV2.0

Stromversorgung
4 Batterien AAA

Bluetooth®-Kommunikation
BLE 5.2 2,4 GHz

Abmessungen
125 x 33 x 23,5 mm

Betriebstemperatur
von -30 °C bis 50 °C

Frequenzbereich
von 2,4 GHz bis 2,483 GHz,
maximale Ausgangsleistung: 8 dBm

Luftfeuchtigkeit bei Betrieb
maximal 95 %

10

Empfohlener Aufstellungsort
max. 2 Meter von der tedee- Schleuse max. 2 Meter von der tedee- Brücke

RECHTLICHE HINWEISE / UMWELTHINWEISE

EU-Konformitätserklärung

Tedee Sp. z oo erklärt hiermit, dass das Funkgerät Tedee Keypad PRO TKV2.0 der Richtlinie 2014/53/EU entspricht. Der vollständige Text der EU-Konformitätserklärung ist unter der folgenden Internetadresse verfügbar: www.tedee.com/compliance.

WEEE / RoHS

Um mögliche negative Auswirkungen auf die Umwelt zu vermeiden, beachten Sie die örtlichen Gesetze und Vorschriften zur ordnungsgemäßen Entsorgung von elektronischen Geräten und Batterien in Ihrem Land. Entsorgung von Batterien – Wenn Ihr tedee- Gerät Batterien enthält, entsorgen Sie diese nicht im normalen Hausmüll. Geben Sie sie bei einer entsprechenden Recyclinganlage oder einer Sammelstelle ab. In tedee- Geräten verwendete Batterien enthalten kein Quecksilber, Cadmium oder Blei über den in der Richtlinie 2006/66/EG festgelegten Grenzwerten. Entsorgung von Elektronik – Entsorgen Sie Ihr tedee- Gerät nicht im normalen Hausmüll. Geben Sie es bei einer entsprechenden Recyclinganlage oder einer Sammelstelle ab.

Bluetooth®

Die Bluetooth®-Wortmarke und -Logos sind Eigentum der Bluetooth SIG, Inc. und jegliche Verwendung dieser Marken durch Tedee Sp. z oo erfolgt unter Lizenz. Andere Marken und Handelsnamen sind Eigentum ihrer jeweiligen Eigentümer.

Google, Android und Google Play sind Marken von Google LLC.





Apple und App Store sind Marken von Apple Inc. IOS ist eine Marke oder eingetragene Marke von Cisco in den USA und anderen Ländern und wird unter Lizenz verwendet.

FR : INFORMATIONS SUR LA SÉCURITÉ

CONSIGNES DE SÉCURITÉ/AVERTISSEMENTS CONCERNANT LA BATTERIE

Le clavier Tedee alimenté par batterie comprend des batteries non rechargeables et non réparables par l'utilisateur.

Ne pas

- Ne chargez pas de piles non rechargeables.
- Ne démontez pas, ne percez pas, ne modifiez pas, ne laissez pas tomber, ne jetez pas et ne causez pas d'autres chocs inutiles aux batteries.
- Ne laissez pas et ne stockez pas les piles dans des endroits chauds comme à proximité d'un four, d'une cuisinière, de la lumière directe du soleil ou d'une autre source de chaleur.
- Ne placez pas les piles dans un four à micro-ondes ou dans tout autre récipient à haute pression.
- Ne plongez pas les piles dans des liquides et ne les laissez pas entrer en contact avec des liquides.
- Ne court-circuitez pas les batteries.
- N'utilisez pas de piles qui semblent fuir, décolorées, rouillées ou déformées ; émettre une odeur; ou sont autrement anormaux.
- Ne touchez pas les piles qui fuient.
- Ne mélangez pas des piles anciennes et neuves.
- Ne continuez pas à charger les batteries plus longtemps que la durée spécifiée.
- Gardez les piles hors de portée des enfants de moins de 3 ans. En cas d'ingestion, contactez immédiatement votre service médical local.

Piles recommandées

Pour alimenter votre Keypad PRO, vous devez utiliser 4 piles AAA. Nous autorisons uniquement l'utilisation de piles AAA de 1,5V (LR03).

AVERTISSEMENT:

Risque de dommages permanents à l'appareil et de perte de garantie en cas d'installation de piles avec une tension de fonctionnement supérieure à 1,5 V !

- Insérez correctement les nouvelles piles, en suivant les symboles pour positionner les extrémités positive (+) et négative (-) de chaque pile. N'inversez pas la polarité de la batterie.
- Conservez les piles dans un endroit frais et sec à température ambiante normale.
- Séparez, recyclez et jetez les batteries conformément aux réglementations locales. Pour plus d'informations, contactez votre autorité locale.
- Utilisez les piles fournies à une température de fonctionnement de -20 à +54° C et stockez-les à une température de -30 à +45°C. Le dépassement de ces plages peut entraîner des dommages, une perte de propriétés, une fuite ou une explosion de la batterie. Les plages de température ci-dessus peuvent varier en fonction du fabricant de la batterie.
- Lors du remplacement des piles dans l'appareil, utilisez un seul type de piles (ne pas mélanger).

Autres informations

- Jetez les appareils et leurs accessoires conformément à la réglementation locale. Si possible, recyclez.
- Ne jetez pas l'appareil avec les ordures ménagères et ne le brûlez pas.
- Cet appareil peut être utilisé en toute sécurité dans le cadre d'un code de conduite en cas d'utilisation abusive normale et raisonnablement prévisible. Si vous remarquez des signes d'erreurs ou de dysfonctionnement matériel, contactez le support technique de tedee pour obtenir de l'aide. Dans ce cas, cet





appareil doit être retourné à Tedee pour les réparations nécessaires dans le cadre des conditions de garantie. Tout changement ou modification du matériel ou du logiciel de l'appareil qui n'est pas approuvé, recommandé ou fourni par Tedee peut annuler votre garantie.

- Cet appareil nécessite une source d'alimentation et une connexion Bluetooth(R) pour fonctionner correctement et peut nécessiter une connexion Internet pour utiliser certaines de ses fonctionnalités. Le fabricant n'est pas responsable des problèmes potentiels d'accès à la salle résultant d'un manque d'accès Internet ou d'une panne ou d'un épaissement de la source d'alimentation.
- Cet appareil n'est pas destiné à être utilisé dans le cadre d'un système de sécurité domestique. Le fabricant ne déclare aucune propriété anti-effraction ni attestation, certificat ou classe de protection anti-effraction pour l'appareil. Le fabricant ne sera pas responsable de tout dommage/blessure potentiel subi en raison d'un vol, d'un cambriolage ou d'une intrusion résultant d'un dommage, d'un dépassement ou d'une prise de contrôle non autorisée de l'appareil.
- Cet appareil peut nécessiter l'achat de produits supplémentaires pour activer certaines de ses fonctionnalités. En cas de doute, veuillez contacter le support Tedee.
- Cet appareil peut nécessiter le traitement de données personnelles sensibles, telles que des données biométriques, pour accéder à certaines de ses fonctions. Ce traitement est entièrement volontaire et effectué sur la base du consentement explicite de l'utilisateur, qui peut être retiré à tout moment.
- Ni Tedee Sp. z oo, ni nos détaillants ne sont responsables du non-respect des avertissements et des consignes de sécurité ci-dessus. En achetant cet appareil, l'acheteur reconnaît tous les risques liés à l'utilisation de l'équipement Tedee. Si vous n'acceptez pas ces conditions, renvoyez l'appareil au fabricant ou au distributeur avant utilisation.

Entretien

- Retirez les piles de l'appareil avant de le nettoyer. N'utilisez aucun lubrifiant, agent de nettoyage, produit à polir ou désodorisant sur aucune partie de l'appareil. Essuyez-le uniquement avec un chiffon sec.

12

- Si le boîtier de l'appareil ou le clavier s'avère usé au point que l'intégrité du boîtier est compromise, contactez l'assistance technique Tedee.

RACCORDEMENT AU RÉSEAU ÉLECTRIQUE DOMESTIQUE

Lors de la connexion de votre Keypad PRO à votre système électrique domestique :

- 1) Effectuez toujours tout travail d'installation avec vos circuits d'alimentation éteints (éteignez les fiches).
- 2) Installez l'appareil à l'aide du circuit d'alimentation DC 5-24 V. NE branchez JAMAIS l'appareil directement sur une prise électrique ou sur une alimentation 230 V/110 V. Risque élevé d'électrocution ou d'incendie et de blessures physiques, s'il est ignoré.
- 3) Assurez-vous que le Keypad PRO est également alimenté avec les piles 4xAAA recommandées, en cas de pannes de courant potentielles qui pourraient autrement limiter votre capacité d'accès aux locaux.
- 4) En cas de doute concernant l'installation, veuillez nous contacter sur <https://tedee.com/get-support> ou contacter l'électricien professionnel local.

Ni Tedee Sp. z oo, ni nos détaillants ne sont responsables de tout dommage potentiel de toute nature ou problème de contrôle d'accès résultant d'une mauvaise installation de Tedee Keypad PRO sur le système électrique domestique de l'utilisateur. Ce qui précède inclut à la fois les actions inappropriées de l'utilisateur, ainsi que les dommages causés par des fournisseurs de services d'installation tiers.

INFORMATIONS TECHNIQUES

Spécifications techniques





Modèle
TKV2.0

Alimentation
4 piles AAA

Communication Bluetooth®/BLE
5.2 2,4 GHz

Dimensions
125 x 33 x 23,5 mm

Température de fonctionnement
de -30°C à 50°C

Gamme de fréquences
de 2,4 GHz à 2,483 GHz,
puissance de sortie maximale : 8 dBm

Humidité de fonctionnement
maximale 95 %

Configuration recommandée
max. 2 mètres de l'écluse Tedee max. 2 mètres du pont Tedee

NOTES LÉGALES / ENVIRONNEMENTALES

Déclaration de conformité UE

Tedee Sp. z o.o. z oo déclare par la présente que le dispositif radio Tedee Keypad PRO TKV2.0 est conforme à la directive 2014/53/UE. Le texte intégral de la déclaration de conformité UE est disponible à l'adresse Internet suivante : www.tedee.com/compliance.

DEEE/RoHS

Pour éviter tout impact négatif potentiel sur l'environnement, consultez les lois et réglementations locales pour connaître la mise au rebut appropriée des appareils électroniques et des batteries dans votre pays. Mise au rebut des piles – si votre appareil tedee contient des piles, ne les jetez pas avec les ordures ménagères ordinaires. Remettez-les à une installation de recyclage appropriée ou à un point de collecte. Les piles utilisées dans les appareils tedee ne contiennent pas de mercure, de cadmium ou de plomb au-dessus des niveaux spécifiés dans la directive 2006/66/CE. Élimination des appareils électroniques - ne jetez pas votre appareil tedee avec les ordures ménagères ordinaires. Remettez-le à une installation de recyclage appropriée ou à un point de collecte.

Bluetooth®

La marque et les logos Bluetooth® sont la propriété de Bluetooth SIG, Inc. et toute utilisation de ces marques par Tedee Sp. z oo est sous licence. Les autres marques et noms commerciaux appartiennent à leurs propriétaires respectifs.

Google, Android et Google Play sont des marques commerciales de Google LLC.

Apple et App Store sont des marques commerciales d'Apple Inc. IOS est une marque commerciale ou une marque déposée de Cisco aux États-Unis et dans d'autres pays et est utilisée sous licence.

ISED:

L'émetteur/récepteur exempt de licence contenu dans le présent appareil est conforme aux CNR d'Innovation, Sciences et Développement économique Canada applicables aux appareils radio exempts de licence. L'exploitation est autorisée aux deux conditions suivantes:

- (1) L'appareil ne doit pas produire de brouillage;
- (2) L'appareil doit accepter tout brouillage radioélectrique subi, même si le





brouillage est susceptible d'en compromettre le fonctionnement.
Cet équipement est conforme aux limites d'exposition aux rayonnements RSS-102 établies pour un environnement professionnel/contrôlé."

ES: INFORMACIÓN DE SEGURIDAD

DIRECTRICES/ADVERTENCIAS DE SEGURIDAD DE LA BATERÍA

El juego de teclado Tedee que funciona con baterías incluye baterías no recargables y que no pueden ser reparadas por el usuario.

No

- No cargue baterías no recargables.
- No desarme, perforo, modifique, deje caer, arroje ni cause otros golpes innecesarios a las baterías.
- No deje ni almacene las baterías en lugares calientes como cerca de un horno, estufa, luz solar directa u otra fuente de calor.
- No coloque las baterías en un horno microondas ni en ningún otro recipiente a alta presión.
- No sumerja las baterías en líquidos ni permita que entren en contacto con líquidos.
- No provoque cortocircuitos en las baterías.
- No utilice baterías que parezcan tener fugas, descoloridas, oxidadas o deformadas; emitir un olor; o son anormales de otra manera.
- No toque las baterías con fugas.
- No mezcle pilas nuevas y viejas.
- No continúe cargando baterías por más tiempo del especificado.
- Mantenga las baterías fuera del alcance de niños menores de 3 años. En caso de ingestión, comuníquese con su ayuda médica local de inmediato.

14

BATERÍAS RECOMENDADAS

Para alimentar su Keypad PRO, necesita usar 4 baterías AAA. Sólo permitimos el uso de pilas AAA de 1,5V (LR03).

ADVERTENCIA:

¡Riesgo de daños permanentes al dispositivo y pérdida de la garantía si se instalan baterías con un voltaje de funcionamiento superior a 1,5 V!

- Inserte baterías nuevas correctamente, siguiendo los símbolos para colocar los extremos positivo (+) y negativo (-) de cada batería. No invierta la polaridad de la batería.
- Guarde las baterías en un lugar fresco y seco a temperatura ambiente normal.
- Separe, recicle y deseche las baterías de acuerdo con las regulaciones locales. Para obtener más información, póngase en contacto con su autoridad local.
- Utilice las baterías incluídas a una temperatura de funcionamiento de -20 a +54 ° C y guárdelas a una temperatura de -30 a +45 °C. Exceder estos rangos puede provocar daños, pérdida de propiedades, fugas o explosión de la batería. Los rangos de temperatura anteriores pueden variar según el fabricante de la batería.
- Cuando reemplace las baterías en el dispositivo, use solo un tipo de baterías (no las mezcle).

Otra información

- Deseche los dispositivos y sus accesorios de acuerdo con las regulaciones locales. Si es posible, recicle.
- No deseche el dispositivo como residuo doméstico ni lo queme.
- Este dispositivo es seguro de usar bajo el código de conducta operativo de mal uso normal y razonablemente previsible. Si nota algún signo de error o mal funcionamiento del hardware, comuníquese con el soporte técnico de tedee para obtener ayuda. En tal caso, este dispositivo deberá devolverse a tedee para las





reparaciones necesarias según las condiciones de garantía. Cualquier cambio o modificación en el hardware o software del dispositivo que no esté aprobado, recomendado o proporcionado por tedee puede anular la garantía.

- Este dispositivo requiere una fuente de alimentación y una conexión Bluetooth(R) para funcionar correctamente y puede requerir una conexión a Internet para utilizar algunas de sus funciones. El fabricante no se hace responsable de posibles problemas de acceso a la habitación derivados de la falta de acceso a Internet o del fallo o agotamiento de la fuente de alimentación.
- Este dispositivo no está diseñado para usarse como parte de un sistema de seguridad doméstico. El fabricante no declara ninguna propiedad antirrobo ni declaraciones, certificados o clases de protección antirrobo para el dispositivo. El fabricante no será responsable de ningún posible daño/lesión sufrida debido a robo, hurto o intrusión que resulte de daño, superación o toma de control no autorizado del dispositivo.
- Este dispositivo puede requerir la compra de productos adicionales para habilitar algunas de sus funciones. En caso de duda, comuníquese con el soporte de tedee .
- Este dispositivo puede requerir el procesamiento de datos personales sensibles, como datos biométricos, para acceder a algunas de sus funciones. Dicho tratamiento es totalmente voluntario y se realiza sobre la base del consentimiento explícito del usuario, que puede retirar en cualquier momento.
- Ni Tedee sp. z oo ni nuestros minoristas son responsables del incumplimiento de las advertencias y pautas de seguridad anteriores. Al comprar este dispositivo, el comprador reconoce todos los riesgos asociados con el uso del equipo tedee . Si no está de acuerdo con estos términos, devuelva el dispositivo al fabricante o distribuidor antes de usarlo.

Mantenimiento

- Retire las baterías del dispositivo antes de limpiarlo. No utilice lubricantes, agentes de limpieza, abrillantadores ni ambientadores en ninguna parte del dispositivo. Límpielo únicamente con un paño seco.
- Si se descubre que la carcasa del dispositivo o el teclado están desgastados

hasta el punto de comprometer la integridad de la carcasa, comuníquese con el soporte técnico de tedee .

CONEXIÓN AL SISTEMA ELÉCTRICO DOMÉSTICO

Mientras conecta su Keypad PRO al sistema eléctrico de su hogar:

- 1) Realice siempre cualquier trabajo de instalación con el circuito de alimentación apagado (apague los enchufes).
- 2) Instale el dispositivo utilizando el circuito de alimentación CC de 5 a 24 V. NUNCA conecte el dispositivo directamente a una toma de corriente o a una fuente de alimentación de 230 V/110 V. Alto riesgo de electrocución o incendio y lesiones físicas, si se ignora.
- 3) Asegúrese de que Keypad PRO también esté alimentado con las 4 pilas AAA recomendadas, en caso de posibles cortes de energía que de otro modo podrían limitar su capacidad para acceder a las instalaciones.
- 4) En caso de dudas sobre la instalación, contáctenos en <https://tedee.com/get-support> o comuníquese con el electricista profesional local.

Ni Tedee sp. z oo , ni nuestros minoristas son responsables de posibles daños de cualquier tipo o problemas de control de acceso que resulten de una instalación incorrecta de Tedee Keypad PRO en el sistema eléctrico doméstico del usuario. Lo anterior incluye tanto las actuaciones indebidas propias del usuario, como los daños causados por terceros proveedores de servicios de instalación.

INFORMACIÓN TÉCNICA

Especificaciones técnicas





Modelo
TKV2.0

Fuente de alimentación
4 pilas AAA

Comunicación Bluetooth®
BLE 5.2 2.4GHz

Dimensiones
125 x 33 x 23,5 mm

Temperatura de funcionamiento
de -30°C a 50°C

Rango de frecuencia
de 2,4 GHz a 2,483 GHz.
Potencia máxima de salida: 8 dBm.

Humedad de funcionamiento
máxima 95%

Configuración recomendada
máx. 2 metros desde la esclusa tedee máx. A 2 metros del puente Tedee.

NOTAS LEGALES/AMBIENTALES

Declaración de conformidad de la UE

Tedee sp. z oo declara por la presente que el dispositivo de radio Tedee Keypad PRO TKV2.0 cumple con la Directiva 2014/53/UE. El texto completo de la Declaración de conformidad de la UE está disponible en la siguiente dirección de Internet: www.tedee.com/compliance.

16

RAEE/RoHS

Para evitar posibles impactos negativos en el medio ambiente, consulte las leyes y regulaciones locales para la eliminación adecuada de dispositivos electrónicos y baterías en su país. Eliminación de baterías: si su dispositivo tedee contiene baterías, no las deseche con la basura doméstica normal. Entréguelos a una instalación de reciclaje adecuada o a un punto de recogida. Las baterías utilizadas en los dispositivos tedee no contienen mercurio, cadmio ni plomo por encima de los niveles especificados en la Directiva 2006/66/CE. Eliminación de dispositivos electrónicos: no deseche su dispositivo tedee junto con la basura doméstica normal. Entréguelo a una instalación de reciclaje adecuada o a un punto de recogida.

Bluetooth®

La marca denominativa y los logotipos de Bluetooth® son propiedad de Bluetooth SIG, Inc. y cualquier uso de dichas marcas por parte de Tedee Sp. El zoológico está bajo licencia. Otras marcas comerciales y nombres comerciales son propiedad de sus respectivos propietarios.

Google, Android y Google Play son marcas comerciales de Google LLC.

Apple y App Store son marcas comerciales de Apple Inc. IOS es una marca comercial o una marca registrada de Cisco en los EE. UU. y otros países y se utiliza bajo licencia.

IT: INFORMAZIONI SULLA SICUREZZA

LINEE GUIDA/AVVERTENZE SULLA SICUREZZA DELLA BATTERIA

Il set tastiera Tedee alimentato a batteria include batterie non ricaricabili e non riparabili dall'utente.





Non farlo

- Non caricare batterie non ricaricabili.
- Non smontare, forare, modificare, far cadere, lanciare o provocare altri shock inutili alle batterie.
- Non lasciare o conservare le batterie in luoghi caldi come vicino a forni, fornelli, luce solare diretta o altre fonti di calore.
- Non inserire le batterie nel forno a microonde o in qualsiasi altro contenitore ad alta pressione.
- Non immergere le batterie in liquidi né consentire loro di entrare in contatto con liquidi.
- Non cortocircuitare le batterie.
- Non utilizzare batterie che sembrano perdere, scolorite, arrugginite, deformate; emettere un odore; o sono altrimenti anormali.
- Non toccare le batterie che perdono.
- Non mischiare batterie vecchie e nuove.
- Non continuare a caricare le batterie più a lungo del tempo specificato.
- Tenere le batterie lontano dalla portata dei bambini di età inferiore ai 3 anni. In caso di ingestione, contattare immediatamente l'assistenza medica locale.

BATTERIE CONSIGLIATE

Per alimentare il tuo Keypad PRO, devi utilizzare 4 batterie AAA. Permettiamo solo l'uso di batterie AAA da 1,5 V (LR03).

AVVERTIMENTO:

Rischio di danni permanenti al dispositivo e perdita della garanzia se sono installate batterie con una tensione operativa superiore a 1,5 V!

- Inserire correttamente le nuove batterie, seguendo i simboli per posizionare le estremità positiva (+) e negativa (-) di ciascuna batteria. Non invertire la polarità della batteria.

- Conservare le batterie in un luogo fresco e asciutto a temperatura ambiente normale.
- Separare, riciclare e smaltire le batterie secondo le normative locali. Per ulteriori informazioni contattare l'autorità locale.
- Utilizzare le batterie incluse a una temperatura operativa compresa tra -20 e +54° C e conservarle a una temperatura compresa tra -30 e +45° C. Il superamento di questi intervalli potrebbe causare danni, perdita di proprietà, perdite o esplosione della batteria. Gli intervalli di temperatura sopra indicati possono variare a seconda del produttore della batteria.
- Quando si sostituiscono le batterie nel dispositivo, utilizzare solo un tipo di batterie (non mescolarle).

Altre informazioni

- Smaltire i dispositivi e i relativi accessori in conformità con le normative locali. Se possibile, riciclare.
- Non smaltire il dispositivo come rifiuto domestico e non bruciarlo.
- Questo dispositivo è sicuro da usare in conformità al codice di condotta operativo per uso improprio normale e ragionevolmente prevedibile. Se si notano segni di errore o malfunzionamento dell'hardware, contattare il supporto tecnico teede per assistenza. In tal caso, il dispositivo deve essere restituito a teede per le riparazioni necessarie secondo le condizioni di garanzia. Eventuali cambiamenti o modifiche all'hardware o al software del dispositivo che non siano approvati, consigliati o forniti da teede potrebbero invalidare la garanzia.
- Questo dispositivo richiede una fonte di alimentazione e una connessione Bluetooth(R) per il corretto funzionamento e potrebbe richiedere una connessione Internet per utilizzare alcune delle sue funzionalità. Il produttore non è responsabile per eventuali problemi di accesso alla stanza derivanti dalla mancanza di accesso a Internet o dal guasto o dall'esaurimento della fonte di alimentazione.
- Questo dispositivo non è destinato all'uso come parte di un sistema di sicurezza domestica. Il produttore non dichiara alcuna proprietà antieffrazione, attestazioni, certificati o classi di protezione antieffrazione per l'apparecchio. Il produttore





non sarà responsabile per eventuali danni/lesioni subiti a causa di furto, furto con scasso o intrusione derivanti da danneggiamento, superamento o presa di controllo non autorizzata del dispositivo.

- Questo dispositivo potrebbe richiedere l'acquisto di prodotti aggiuntivi per abilitare alcune delle sue funzionalità. In caso di dubbi, contattare l'assistenza tedee .
- Questo dispositivo potrebbe richiedere il trattamento di dati personali sensibili, come dati biometrici, per accedere ad alcune delle sue funzioni. Tale trattamento è del tutto facoltativo ed effettuato sulla base del consenso esplicito dell'utente, che può essere revocato in ogni momento.
- Né Tedee Sp. z oo , né i nostri rivenditori sono responsabili per il mancato rispetto delle avvertenze e delle linee guida di sicurezza di cui sopra. Acquistando questo dispositivo, l'acquirente riconosce tutti i rischi associati all'uso dell'attrezzatura tedee . Se non si accettano questi termini, restituire il dispositivo al produttore o al distributore prima dell'uso.

Manutenzione

- Rimuovere le batterie dal dispositivo prima della pulizia. Non utilizzare lubrificanti, detersivi, lucidanti o deodoranti per ambienti su nessuna parte del dispositivo. Pulirlo solo con un panno asciutto.
- Se l'alloggiamento del dispositivo o la tastiera risultano usurati al punto da comprometterne l'integrità, contattare il supporto tecnico tedee .

COLLEGAMENTO ALL'IMPIANTO ELETTRICO DOMESTICO

Quando colleghi il tuo Keypad PRO all'impianto elettrico di casa:

- 1) Eseguire sempre qualsiasi lavoro di installazione con il circuito di alimentazione spento (spegnere le spine).
- 2) Installare il dispositivo utilizzando il circuito di alimentazione CC 5-24 V. Non collegare MAI il dispositivo direttamente a una presa elettrica o a un alimentatore

18

da 230 V/110 V. Elevato rischio di folgorazione o incendio e lesioni fisiche, se ignorato.

- 3) Assicurati che Keypad PRO sia alimentato anche con le batterie 4xAAA consigliate, in caso di potenziali interruzioni di corrente che potrebbero altrimenti limitare la tua capacità di accesso ai locali.
- 4) In caso di dubbi sull'installazione, contattaci su <https://tedee.com/get-support> o contatta l'elettricista professionista locale.

Né Tedee Sp. z oo , né i nostri rivenditori sono responsabili per eventuali danni potenziali di qualsiasi tipo o problemi di controllo degli accessi derivanti da un'installazione impropria di Tedee Keypad PRO nell'impianto elettrico domestico dell'utente. Quanto sopra include sia le azioni improprie dell'utente, sia i danni causati da fornitori di servizi di installazione di terze parti.

INFORMAZIONI TECNICHE

Specifiche tecniche

Modello
TKV2.0

Alimentazione
4 batterie AAA

Comunicazione Bluetooth®
BLE 5.2 2,4GHz

Dimensioni
125 x 33 x 23,5 mm





Temperatura di funzionamento
da -30°C a 50°C

Gamma di frequenza
da 2,4 GHz a 2,483 GHz
potenza massima in uscita: 8 dBm

Umidità operativa
massima 95%

Configurazione consigliata
max. 2 metri dalla serratura del tedee max. 2 metri dal ponte Tedee

NOTE LEGALI/AMBIENTALI

Dichiarazione di conformità UE

Tedee Sp. z oo dichiara che il dispositivo radio Tedee Keypad PRO TKV2.0 è conforme alla Direttiva 2014/53/UE. Il testo completo della Dichiarazione di conformità UE è disponibile al seguente indirizzo internet: www.tedee.com/compliance.

RAEE/RoHS

Per evitare potenziali impatti negativi sull'ambiente, consultare le leggi e i regolamenti locali per il corretto smaltimento dei dispositivi elettronici e delle batterie nel proprio paese. Smaltimento delle batterie: se il dispositivo tedee contiene batterie, non smaltirle con i normali rifiuti domestici. Consegnarle a un impianto di riciclaggio appropriato o a un punto di raccolta. Le batterie utilizzate nei dispositivi tedee non contengono mercurio, cadmio o piombo oltre i livelli specificati nella Direttiva 2006/66/CE. Smaltimento dei componenti elettronici: non smaltire il dispositivo tedee con i normali rifiuti domestici. Consegnarlo a un impianto di riciclaggio appropriato o a un punto di raccolta.

Bluetooth®

Il marchio denominativo e i loghi Bluetooth® sono di proprietà di Bluetooth SIG, Inc. e qualsiasi utilizzo di tali marchi da parte di Tedee Sp. z oo è sotto licenza. Altri marchi e nomi commerciali appartengono ai rispettivi proprietari.

Google, Android e Google Play sono marchi di Google LLC.

Apple e App Store sono marchi di Apple Inc. IOS è un marchio o un marchio registrato di Cisco negli Stati Uniti e in altri paesi e viene utilizzato su licenza.

PT: INFORMAÇÕES DE SEGURANÇA

ORIENTAÇÕES / AVISOS DE SEGURANÇA DA BATERIA

O conjunto de teclados Tedee alimentados a pilhas inclui pilhas não recarregáveis e não utilizáveis pelo utilizador.

Não

- Não carregar pilhas não recarregáveis.
- Não desmonte, fure, modifique, deixe cair, atire ou provoque outros choques desnecessários nas baterias.
- Não deixe ou guarde as pilhas em locais quentes, como perto de um forno, fogão, luz solar direta ou outra fonte de calor.
- Não coloque as pilhas num forno micro-ondas ou em qualquer outro recipiente de alta pressão.
- Não mergulhe as pilhas em líquidos nem permita que entrem em contacto com líquidos.
- Não colocar as pilhas em curto-circuito.
- Não utilize baterias que pareçam estar a verter, descoloradas, enferrujadas, deformadas; que emitam um odor; ou que sejam anormais.
- Não tocar nas pilhas com fugas.





- Não misturar pilhas velhas com pilhas novas.
- Não continue a carregar as pilhas durante mais tempo do que o especificado.
- Manter as pilhas fora do alcance das crianças com menos de 3 anos. Em caso de ingestão, contactar imediatamente o serviço de saúde local.

PILHAS RECOMENDADAS

Para alimentar o Keypad PRO, é necessário utilizar 4 pilhas AAA. Só permitimos a utilização de pilhas AAA de 1,5V (LR03).

AVISO:

Perigo de danos permanentes no aparelho e perda da garantia se forem instaladas pilhas com uma tensão de funcionamento superior a 1,5V!

- Introduza corretamente as pilhas novas, seguindo os símbolos para posicionar as extremidades positiva (+) e negativa (-) de cada pilha. Não inverta a polaridade das pilhas.
- Guarde as pilhas num local fresco e seco, à temperatura ambiente normal.
- Separe, recicle e elimine as baterias de acordo com os regulamentos locais. Para mais informações, contacte as autoridades locais.
- Utilize as pilhas incluídas a uma temperatura de funcionamento de -20 a +54°C e guarde-as a uma temperatura de -30 a +45°C. Exceder estes intervalos pode resultar em danos, perda de propriedades, fuga ou explosão da pilha. Os intervalos de temperatura acima indicados podem variar consoante o fabricante da pilha.
- Ao substituir as pilhas do aparelho, utilizar apenas um tipo de pilhas (não misturar).

Outras informações

- Eliminar os aparelhos e os seus acessórios de acordo com a regulamentação local. Se possível, reciclar.

20

- Não eliminar o aparelho como lixo doméstico e não o queimar.
- Este dispositivo é seguro para utilização em condições normais e razoavelmente previsíveis de utilização incorrecta. Se detetar quaisquer sinais de erros ou de mau funcionamento do hardware, contacte o apoio técnico da tedee para obter ajuda. Nesse caso, o aparelho deve ser devolvido à tedee para as reparações necessárias ao abrigo das condições de garantia. Quaisquer alterações ou modificações ao hardware ou software do dispositivo que não sejam aprovadas, recomendadas ou fornecidas pela tedee podem anular a garantia.
- Este dispositivo necessita de uma fonte de alimentação e de uma ligação Bluetooth (R) para funcionar corretamente e pode necessitar de uma ligação à Internet para utilizar algumas das suas funcionalidades. O fabricante não é responsável por potenciais problemas de acesso à sala resultantes da falta de acesso à Internet ou de falha ou esgotamento da fonte de alimentação.
- Este aparelho não se destina a ser utilizado como parte de um sistema de segurança doméstica. O fabricante não declara quaisquer propriedades antirroubo ou atestados, certificados ou classes de proteção antirroubo para o dispositivo. O fabricante não se responsabiliza por quaisquer danos/lesões potenciais sofridos devido a furto, roubo ou intrusão resultantes de danos, ultrapassagem ou controlo não autorizado do dispositivo.
- Este dispositivo pode exigir a compra de produtos adicionais para ativar algumas das suas funcionalidades. Em caso de dúvida, contacte a assistência da tedee.
- Este dispositivo pode exigir o tratamento de dados pessoais sensíveis, tais como dados biométricos, para aceder a algumas das suas funções. Esse tratamento é inteiramente voluntário e efectuado com base no consentimento explícito do utilizador, que pode ser retirado a qualquer momento.
- Nem a Tedee Sp. z o.o., nem os nossos retalhistas são responsáveis pelo incumprimento dos avisos e das directrizes de segurança acima referidos. Ao adquirir este dispositivo, o comprador reconhece todos os riscos associados à utilização do equipamento tedee. Se não concordar com estas condições, devolva o aparelho ao fabricante ou distribuidor antes de o utilizar.





Manutenção

- Retirar as pilhas do aparelho antes de o limpar. Não utilize lubrificantes, produtos de limpeza, polimentos ou ambientadores em nenhuma parte do aparelho. Limpe-o apenas com um pano seco.
- Se a caixa do dispositivo ou o teclado estiverem desgastados ao ponto de comprometer a integridade da caixa, contactar a assistência técnica da tedee.

LIGAÇÃO AO SISTEMA ELÉTRICO DOMÉSTICO

Ao ligar o Keypad PRO ao sistema elétrico da sua casa:

- 1) Efetuar sempre os trabalhos de instalação com o circuito elétrico desligado (desligar as fichas).
- 2) Instalar o aparelho utilizando o circuito de alimentação DC 5- 24V. NUNCA ligue o aparelho diretamente a uma tomada eléctrica ou a uma fonte de alimentação de 230V/110V. Risco elevado de electrocussão ou incêndio e de ferimentos físicos, se ignorado.
- 3) Certifique-se de que o Keypad PRO também é alimentado com as pilhas 4xAAA recomendadas, em caso de potenciais falhas de energia que possam limitar a sua capacidade de aceder às instalações.
- 4) Em caso de dúvidas sobre a instalação, contacte-nos através do endereço <https://tedee.com/get-> ou contacte um electricista profissional local.

Nem a Tedee Sp. z o.o., nem os nossos revendedores são responsáveis por quaisquer danos potenciais de qualquer tipo ou problemas de controlo de acesso resultantes da instalação incorrecta do Tedee Keypad PRO no sistema elétrico da casa do utilizador. Isto inclui tanto as acções impróprias do utilizador, como os danos causados por terceiros prestadores de serviços de instalação.

INFORMAÇÕES TÉCNICAS

Especificações técnicas

Modelo
TKV2.0
Fonte de alimentação
4 pilhas AAA

Comunicação Bluetooth®
BLE 5.2 2.4GHz

Dimensões
125 x 33 x 23,5 mm

Temperatura de funcionamento
de -30°C a 50°C

Gama de frequências
de 2,4GHz a 2,483GHz
potência máxima de saída: 8dBm

Humidade de funcionamento
máximo 95%

Configuração recomendada
máx. 2 metros da eclusa de tedee max. 2 metros da ponte de tedee

NOTAS JURÍDICAS/AMBIENTAIS

Declaração de Conformidade UE

A Tedee Sp. z o.o. declara que o dispositivo de rádio Tedee Keypad PRO TKV2.0 está em conformidade com a Diretiva 2014/53/UE. O texto completo da Declaração





de Conformidade da UE está disponível no seguinte endereço de Internet: www.tedee.com/compliance.

WEEE / RoHS

Para evitar um potencial impacto negativo no ambiente, consulte a legislação e os regulamentos locais sobre a eliminação adequada de dispositivos electrónicos e pilhas no seu país. Eliminação das pilhas - se o seu aparelho tedee contiver pilhas, não as elimine juntamente com o lixo doméstico normal. Entregue-as numa instalação de reciclagem adequada ou num ponto de recolha. As pilhas utilizadas nos dispositivos tedee não contêm mercúrio, cádmio ou chumbo acima dos níveis especificados na Diretiva 2006/66/CE. Eliminação de aparelhos electrónicos - não elimine o seu aparelho tedee juntamente com o lixo doméstico normal. Entregue-o numa instalação de reciclagem adequada ou num ponto de recolha.

Bluetooth

A marca nominativa e os logótipos Bluetooth® são propriedade da Bluetooth SIG, Inc. e qualquer utilização dessas marcas pela Tedee Sp. z o.o. é feita sob licença. Outras marcas registadas e nomes comerciais pertencem aos respectivos proprietários.

Google, Android e Google Play são marcas comerciais da Google LLC.

Apple e App Store são marcas comerciais da Apple Inc. IOS é uma marca comercial ou uma marca registada da Cisco nos EUA e noutros países e é utilizada sob licença.

DK: SIKKERHEDSOPLYSNINGER

RETNINGSLINJER FOR BATTERISIKKERHED / ADVARSLER

Batteridrevet Tedee-tastatursæt inkluderer ikke-genopladelige og ikke-

22

brugerservicebare batterier.

Gør ikke

- Oplad ikke ikke-genopladelige batterier.
- Batterierne må ikke skilles ad, punkteres, modificeres, tabes, smides eller forårsages andre unødvendige stød.
- Efterlad eller opbevar ikke batterier på varme steder såsom i nærheden af en ovn, komfur, direkte sollys eller andre varmekilder.
- Anbring ikke batterier i en mikrobølgeovn eller i andre højtryksbeholdere.
- Nedsænk ikke batterier i væsker, og lad dem ikke komme i kontakt med væsker.
- Kortslut ikke batterier.
- Brug ikke batterier, der ser ud til at være utætte, misfarvede, rustne, deforme; udsender en lugt; eller på anden måde er unormale.
- Rør ikke ved utætte batterier.
- Bland ikke gamle og nye batterier.
- Fortsæt ikke med at oplade batterier længere end den angivne tid.
- Hold batterierne væk fra børn under 3 år. Hvis de sluges, skal du straks kontakte din lokale læge.

ANBEFALEDE BATTERIER

For at drive dit Keypad PRO skal du bruge 4 AAA-batterier. Vi tillader kun brug af AAA-batterier på 1,5V (LR03).

ADVARSEL:

Risiko for permanent beskadigelse af apparatet og tab af garanti, hvis der installeres batterier med en driftsspænding på over 1,5V!

- Sæt nye batterier korrekt i, følg symbolerne for placering af de positive (+) og negative (-) ender af hvert batteri. Vend ikke batteriets polaritet.
- Opbevar batterier på et køligt, tørt sted ved normal stuetemperatur.





- Adskil, genbrug og bortskaf batterierne i henhold til dine lokale regler. For mere information kontakt din lokale myndighed.
- Brug de medfølgende batterier ved en driftstemperatur på -20 til +54° C, og opbevar dem ved en temperatur på -30 til +45°C. Overskridelse af disse områder kan resultere i beskadigelse, tab af egenskaber, lækage eller eksplosion af batteriet. Ovenstående temperaturområder kan variere afhængigt af batteriproducenten.
- Når du udskifter batterier i enheden, skal du kun bruge én type batterier (må ikke blandes).

Andre oplysninger

- Bortskaf apparaterne og dets tilbehør i overensstemmelse med dine lokale regler. Hvis det er muligt, genbrug.
- Bortskaf ikke enheden som husholdningsaffald og brænd den ikke.
- Denne enhed er sikker at bruge i henhold til normal og rimeligt forudsigelig adfærdskodeks for misbrug. Hvis du bemærker tegn på fejl eller hardwarefejl, skal du kontakte tedees tekniske support for at få hjælp. I sådanne tilfælde skal denne enhed returneres til tedee for nødvendige reparationer under garantibetingelserne. Enhver ændring eller modifikation af enhedens hardware eller software, som ikke er godkendt, anbefalet eller leveret af tedee, kan ugyldiggøre din garanti.
- Denne enhed kræver strømkilde og Bluetooth(R)-forbindelse for korrekt drift og kræver muligvis en internetforbindelse for at bruge nogle af dens funktioner. Producenten er ikke ansvarlig for potentielle problemer med adgang til rummet som følge af manglende internetadgang eller fejl eller udmattelse af strømkilden.
- Denne enhed er ikke beregnet til brug som en del af et hjemmesikkerhedssystem. Producenten erklærer ingen egenskaber mod indbrud eller attester, certifikater eller klasser af indbrudsbeskyttelse for enheden. Producenten kan ikke holdes ansvarlig for eventuelle skader/skader påført som følge af tyveri, indbrud eller indtrængen som følge af beskadigelse, overvindelse eller uautoriseret opnåelse af kontrol over enheden.

- Denne enhed kan kræve køb af yderligere produkter for at aktivere nogle af dens funktioner. Hvis du er i tvivl, så kontakt tedee support.
- Denne enhed kan kræve behandling af følsomme personlige data, såsom biometriske data, for at få adgang til nogle af dens funktioner. En sådan behandling er helt frivillig og udføres på grundlag af brugerens udtrykkelige samtykke, som til enhver tid kan trækkes tilbage.
- Hverken Tedee Sp. z oo., og heller ikke vores forhandlere er ansvarlige for manglende overholdelse af ovenstående advarsler og sikkerhedsretningslinjer. Ved at købe denne enhed anerkender køberen alle risici forbundet med brugen af tedee- udstyr. Hvis du ikke accepterer disse vilkår, skal du returnere enheden til producenten eller distributøren før brug.

Opretholdelse

- Fjern batterierne fra enheden før rengøring. Brug ikke smøremidler, rengøringsmidler, pudsemidler eller luftfriskere på nogen del af enheden. Tør det kun af med en tør klud.
- Hvis enhedens kabinet eller tastatur viser sig at være slidt i en sådan grad, at husets integritet er kompromitteret, skal du kontakte tedees tekniske support.

TILSLUTNING TIL DET ELEKTRISKE HUSHOLDNINGSSYSTEM

Mens du tilslutter dit Keypad PRO til dit elektriske system i hjemmet:

- 1) Udfør altid installationsarbejde med dit strømkredsløb slukket (sluk for stikkene).
- 2) Installer enheden ved hjælp af DC 5-24V strømkredsløbet. Slut ALDRIG enheden direkte til en stikkontakt eller 230V/110V strømforsyning. Høj risiko for elektrisk stød eller brand og fysisk skade, hvis ignoreret.
- 3) Sørg for, at Keypad PRO også forsynes med de anbefalede 4xAAA-batterier i tilfælde af potentielle strømafbrydelser, som ellers kan begrænse din adgangskapacitet til lokaler.





4) Hvis du er i tvivl om installationen, bedes du kontakte os på <https://tedee.com/get-support> eller kontakte den lokale professionelle elektriker.

Hverken Tedee Sp. z oo , og heller ikke vores forhandlere er ansvarlige for eventuelle skader af nogen art eller adgangskontrolproblemer som følge af forkert installation af Tedee Keypad PRO til brugerens elektriske system i hjemmet. Ovenstående inkluderer både brugerens egne ukorrekte handlinger, såvel som skader forårsaget af tredjeparts installationstjenesteudbydere.

TEKNISK INFORMATION

Tekniske specifikationer

Model
TKV2.0

Strømforsyning
4 batterier AAA

Bluetooth® kommunikation
BLE 5.2 2.4GHz

Mål
125 x 33 x 23,5 mm

Driftstemperatur
fra -30°C til 50°C

Frekvensområde
fra 2.4GHz til 2.483GHz
maksimal udgangseffekt: 8dBm

Driftsfugtighed
maksimalt 95 %

Anbefalet opsætning
max. 2 meter fra tedee lås max. 2 meter fra tedee bridge

JURIDISKE / MILJØMÆSSIGE BEMÆRKNINGER

EU-overensstemmelseserklæring

Tedee Sp. z oo erklærer hermed, at Tedee Keypad PRO TKV2.0 radioenheden er i overensstemmelse med direktiv 2014/53/EU. Den fulde tekst af EU-overensstemmelseserklæringen er tilgængelig på følgende internetadresse: www.tedee.com/compliance.

WEEE / RoHS

For at forhindre potentiel negativ påvirkning af miljøet skal du konsultere lokale love og regler for korrekt bortskaffelse af elektroniske enheder og batterier i dit land. Bortskaffelse af batterier – hvis din tedee- enhed indeholder batterier, må du ikke bortskaffe dem sammen med almindeligt husholdningsaffald. Aflever dem til et passende genbrugsanlæg eller et indsamlingssted. Batterier, der bruges i tedee -enheder, indeholder ikke kviksølv, cadmium eller bly over niveauerne specificeret i 2006/66/EC-direktivet. Bortskaffelse af elektronik - bortskaf ikke din tedee-enhed sammen med almindeligt husholdningsaffald. Aflever det til et passende genbrugsanlæg eller et indsamlingssted.

Bluetooth®

Bluetooth®-ordmærket og -logoerne ejes af Bluetooth SIG, Inc. og enhver brug af sådanne mærker af Tedee Sp. z oo er under licens . Andre varemærker og handelsnavne tilhører deres respektive ejere.

Google, Android og Google Play er varemærker tilhørende Google LLC.





Apple og App Store er varemærker tilhørende Apple Inc. IOS er et varemærke eller registreret varemærke tilhørende Cisco i USA og andre lande og bruges under licens.

NL: VEILIGHEIDSGEGEVINGEN

VEILIGHEIDSRICHTLIJNEN/WAARSCHUWINGEN VOOR DE BATTERIJ

De op batterijen werkende Tedeo-toetsbordset bevat niet-oplaadbare batterijen en batterijen die niet door de gebruiker kunnen worden onderhouden.

Niet doen

- Laad geen niet-oplaadbare batterijen op.
- De batterijen niet demonteren, doorboren, wijzigen, laten vallen, gooien of andere onnodige schokken veroorzaken.
- Laat of bewaar batterijen niet op warme plaatsen, zoals in de buurt van een oven, fornuis, direct zonlicht of een andere warmtebron.
- Plaats batterijen niet in een magnetron of in een andere hogedrukcontainer.
- Dompel batterijen niet onder in vloeistoffen en laat ze niet in contact komen met vloeistoffen.
- Sluit batterijen niet kort.
- Gebruik geen batterijen die lijken te lekken, verkleurd, roestig of vervormd zijn; een geur afgeven; of anderszins abnormaal zijn.
- Raak lekkende batterijen niet aan.
- Meng geen oude en nieuwe batterijen.
- Laad de batterijen niet langer op dan de aangegeven tijd.
- Houd de batterijen uit de buurt van kinderen jonger dan 3 jaar. Neem bij inslikken onmiddellijk contact op met uw plaatselijke medische hulp.

AANBEVOLEN BATTERIJEN

Om uw Keypad PRO van stroom te voorzien, heeft u 4 AAA-batterijen nodig. Wij

staan alleen het gebruik van AAA-batterijen van 1,5V (LR03) toe.

WAARSCHUWING:

Risico op permanente schade aan het apparaat en verlies van garantie als er batterijen met een bedrijfsspanning van meer dan 1,5V worden geïnstalleerd!

- Plaats nieuwe batterijen op de juiste manier en volg de symbolen voor het positioneren van de positieve (+) en negatieve (-) uiteinden van elke batterij. Keer de polariteit van de batterij niet om.
- Bewaar batterijen op een koele, droge plaats bij normale kamertemperatuur.
- Scheid, recycleer en gooi de batterijen weg volgens de plaatselijke regelgeving. Neem voor meer informatie contact op met uw plaatselijke overheid.
- Gebruik de meegeleverde batterijen bij een bedrijfstemperatuur van -20 tot +54° C en bewaar ze bij een temperatuur van -30 tot +45° C. Het overschrijden van dit bereik kan leiden tot schade, verlies van eigendommen, lekkage of explosie van de batterij. De bovenstaande temperatuurbereiken kunnen variëren, afhankelijk van de batterijfabrikant.
- Gebruik bij het vervangen van de batterijen in het apparaat slechts één type batterijen (niet door elkaar mengen).

Overige informatie

- Gooi de apparaten en de accessoires weg in overeenstemming met de plaatselijke regelgeving. Recycle indien mogelijk.
- Gooi het apparaat niet weg als huishoudelijk afval en verbrand het niet.
- Dit apparaat is veilig te gebruiken onder normale en redelijkerwijs te verwachten misbruik en de gedragscode. Als u tekenen van fouten of hardwarestoringen opmerkt, neem dan contact op met de technische ondersteuning van Tedeo voor hulp. In dat geval dient dit apparaat onder de garanti voorwaarden naar Tedeo te worden teruggestuurd voor noodzakelijke reparaties. Eventuele wijzigingen of aanpassingen aan de hardware of software van het apparaat die niet door Tedeo zijn goedgekeurd, aanbevolen of geleverd, kunnen uw garantie ongeldig maken.





- Dit apparaat heeft een stroombron en een Bluetooth(R)-verbinding nodig voor een goede werking en heeft mogelijk een internetverbinding nodig om bepaalde functies te kunnen gebruiken. De fabrikant is niet verantwoordelijk voor mogelijke problemen met de toegang tot de kamer als gevolg van een gebrek aan internettoegang of een storing of uitputting van de stroombron.
- Dit apparaat is niet bedoeld voor gebruik als onderdeel van een huisbeveiligingssysteem. De fabrikant geeft geen inbraakwerende eigenschappen of attesten, certificaten of klassen van anti-inbraakbeveiliging voor het apparaat af. De fabrikant is niet aansprakelijk voor eventuele schade/letsel als gevolg van diefstal, inbraak of inbraak als gevolg van schade, het overwinnen van of het ongeoorloofd verkrijgen van controle over het apparaat.
- Voor dit apparaat zijn mogelijk aanvullende producten nodig om bepaalde functies te kunnen gebruiken. Neem bij twijfel contact op met de ondersteuning van tedee .
- Dit apparaat vereist mogelijk de verwerking van gevoelige persoonlijke gegevens, zoals biometrische gegevens, om toegang te krijgen tot bepaalde functies. Een dergelijke verwerking is volledig vrijwillig en wordt uitgevoerd op basis van de uitdrukkelijke toestemming van de gebruiker, die op elk moment kan worden ingetrokken.
- Noch Tedee Sp. z oo , noch onze detailhandelaren zijn verantwoordelijk voor het niet naleven van de bovenstaande waarschuwingen en veiligheidsrichtlijnen. Door dit apparaat te kopen, erkent de koper alle risico's die verbonden zijn aan het gebruik van tedee- apparatuur. Als u niet akkoord gaat met deze voorwaarden, dient u het apparaat vóór gebruik terug te sturen naar de fabrikant of distributeur.

Onderhoud

- Verwijder vóór het reinigen de batterijen uit het apparaat. Gebruik op geen enkel onderdeel van het apparaat smeermiddelen, schoonmaakmiddelen, poetsmiddelen of luchtverfrissers. Veeg het alleen af met een droge doek.
- Als blijkt dat de behuizing of het toetsenbord van het apparaat zodanig versleten is dat de integriteit van de behuizing in gevaar komt, neem dan contact op met

26

de technische ondersteuning van Tedee .

AANSLUITING OP HET ELEKTRICITEITSNET VAN HET HUIS

Terwijl u uw Keypad PRO aansluit op het elektrische systeem van uw huis:

- 1) Voer installatiewerkzaamheden altijd uit terwijl uw stroomcircuit is uitgeschakeld (zet de stekkers uit).
- 2) Installeer het apparaat met behulp van het DC 5-24V stroomcircuit. Sluit het apparaat NOOIT rechtstreeks aan op een stopcontact of op een 230V/110V-voeding. Hoog risico op elektrocutie, brand en lichamelijk letsel, indien genegeerd.
- 3) Zorg ervoor dat Keypad PRO ook wordt gevoed met de aanbevolen 4xAAA-batterijen, voor het geval van potentiële stroomuitval die anders uw capaciteit om toegang te krijgen tot gebouwen zou kunnen beperken.
- 4) Neem bij twijfel over de installatie contact met ons op via <https://tedee.com/get-support> of neem contact op met de plaatselijke professionele elektriciens.

Noch Tedee Sp. z oo , noch onze detailhandelaren zijn verantwoordelijk voor eventuele schade van welke aard dan ook of problemen met de toegangscontrole als gevolg van onjuiste installatie van Tedee Keypad PRO op het elektrische systeem thuis van de gebruiker. Het bovenstaande omvat zowel ongepaste handelingen van de gebruiker zelf als schade veroorzaakt door externe aanbieders van installatiediensten.

TECHNISCHE INFORMATIE

Technische specificaties

Model TKV2.0





Voeding
4 batterijen AAA

Bluetooth®-communicatie
BLE 5.2 2,4GHz

Afmetingen
125 x 33 x 23,5 mm

Bedrijfstemperatuur
van -30°C tot 50°C

Frequentiebereik
van 2,4 GHz tot 2,483 GHz,
maximaal uitgangsvermogen: 8 dBm

Bedrijfsvochtigheid
maximaal 95%

Aanbevolen opstelling
max. 2 meter van tedee- sluis max. 2 meter van de tedeebrug

JURIDISCHE/MILIEUNOTITIES

EU-conformiteitsverklaring

Tedee Sp. z oo verklaart hierbij dat het Tedee Keypad PRO TKV2.0 radioapparaat in overeenstemming is met Richtlijn 2014/53/EU. De volledige tekst van de EU-conformiteitsverklaring is beschikbaar op het volgende internetadres: www.tedee.com/compliance.

AEEA / RoHS

Om mogelijke negatieve gevolgen voor het milieu te voorkomen, dient u de plaatselijke wet- en regelgeving te raadplegen voor de juiste afvoer van elektronische apparaten en batterijen in uw land. Batterijen weggooien – als uw tedee- apparaat batterijen bevat, gooi deze dan niet weg met het gewone huishoudelijke afval. Geef ze af bij een geschikt recyclingbedrijf of een inzamelpunt. Batterijen die in tedee- apparaten worden gebruikt, bevatten geen kwik, cadmium of lood boven de niveaus die zijn vastgelegd in de richtlijn 2006/66/EG. Elektronica weggooien - Gooi uw tedee- apparaat niet weg met het gewone huisvuil. Geef het af bij een geschikt recyclingbedrijf of een inzamelpunt.

Bluetooth®

Het Bluetooth®-woordmerk en de logo's zijn eigendom van Bluetooth SIG, Inc. en elk gebruik van dergelijke merken door Tedee Sp. z oo is onder licentie. Andere handelsmerken en handelsnamen zijn eigendom van hun respectievelijke eigenaren.

Google, Android en Google Play zijn handelsmerken van Google LLC.

Apple en App Store zijn handelsmerken van Apple Inc. IOS is een handelsmerk of geregistreerd handelsmerk van Cisco in de VS en andere landen en wordt onder licentie gebruikt.

SE: SÄKERHETSINFORMATION

RIKTLINJER/VARNINGAR FÖR BATTERISÄKERHET

Batteridriven Tedee knappsats innehåller icke-uppladdningsbara och icke-användaren servicebara batterier.





Gör inte det

- Ladda inte icke-uppladdningsbara batterier.
- Ta inte isär, punktera, modifiera, tappa, kasta eller orsaka andra onödiga stötar på batterierna.
- Lämna eller förvara inte batterier på varma platser som nära en ugn, spis, direkt solljus eller annan värmekälla.
- Placera inte batterier i en mikrovågsugn eller i någon annan högtrycksbehållare.
- Sänk inte ner batterier i vätskor och låt dem inte komma i kontakt med vätskor.
- Kortslut inte batterier.
- Använd inte batterier som verkar läcka, missfärgade, rostiga, deformerade; avger en lukt; eller på annat sätt är onormala.
- Rör inte läckande batterier.
- Blanda inte gamla och nya batterier.
- Fortsätt inte att ladda batterierna längre än den angivna tiden.
- Håll batterierna borta från barn under 3 år. Om de sväljs, kontakta omedelbart din lokala läkare.

REKOMMENDERADE BATTERIER

För att driva din Keypad PRO behöver du använda 4 AAA-batterier. Vi tillåter endast användning av AAA-batterier på 1,5V (LR03).

VARNING:

Risk för permanent skada på enheten och förlust av garantin om batterier med en driftspänning överstiger 1,5V installeras!

- Sätt i nya batterier på rätt sätt, följ symbolerna för att placera de positiva (+) och negativa (-) ändarna av varje batteri. Vänd inte batteriets polaritet.
- Förvara batterierna på en sval, torr plats vid normal rumstemperatur.
- Separera, återvinn och kassera batterierna enligt lokala bestämmelser. Kontakta din lokala myndighet för mer information.

28

- Använd de medföljande batterierna vid en driftstemperatur på -20 till +54° C och förvara dem vid en temperatur på -30 till +45°C. Att överskrida dessa intervall kan resultera i skada, förlust av egenskaper, läckage eller explosion av batteriet. Övanstående temperaturintervall kan variera beroende på batteritillverkaren.
- Använd endast en typ av batterier när du byter batterier i enheten (bland inte).

Övrig information

- Kassera enheterna och dess tillbehör i enlighet med lokala föreskrifter. Återvinn om möjligt.
- Kasta inte enheten som hushållsavfall och bränn den inte.
- Denna enhet är säker att använda enligt normal och rimligen förutsebar uppförandekod för felaktig användning. Om du märker några tecken på fel eller hårdvarufel, kontakta tedees tekniska support för hjälp. I sådana fall bör denna enhet returneras till tedee för nödvändiga reparationer enligt garantivillkoren. Alla ändringar eller modifieringar av enhetens hårdvara eller mjukvara som inte är godkända, rekommenderade eller tillhandahållna av tedee kan ogiltigförklara din garanti.
- Den här enheten kräver strömkälla och Bluetooth(R)-anslutning för korrekt funktion och kan kräva en Internetanslutning för att använda vissa av dess funktioner. Tillverkaren ansvarar inte för potentiella problem med tillgång till rummet som beror på bristande internetåtkomst eller fel eller utmatning av strömkällan.
- Denna enhet är inte avsedd att användas som en del av ett hemsäkerhetssystem. Tillverkaren deklarerar inga inbrottskyddsegenskaper eller intyg, certifikat eller klasser av inbrottskydd för enheten. Tillverkaren ska inte hållas ansvarig för eventuella skador som uppstår på grund av stöld, inbrott eller intrång till följd av skada, övervinnande eller obehörig kontroll över enheten.
- Den här enheten kan kräva köp av ytterligare produkter för att aktivera vissa av dess funktioner. Om du är osäker, vänligen kontakta tedee support.
- Den här enheten kan kräva behandling av känsliga personuppgifter, såsom biometrisk data, för att få tillgång till vissa av dess funktioner. Sådan





behandling är helt frivillig och utförs på basis av användarens uttryckliga samtycke, som kan återkallas när som helst.

- Varken Tedee Sp. z oo och inte heller våra återförsäljare är ansvariga för underlåtenhet att följa ovanstående varningar och säkerhetsriktlinjer. Genom att köpa denna enhet erkänner köparen alla risker som är förknippade med användningen av tedee -utrustning. Om du inte godkänner dessa villkor, returnera enheten till tillverkaren eller distributören före användning.

Underhåll

- Ta bort batterierna från enheten innan rengöring. Använd inga smörjmedel, rengöringsmedel, polermedel eller luftfräschare på någon del av enheten. Torka av den endast med en torr trasa.
- Om enhetens hölje eller knappats visar sig vara slitet i den utsträckning att höljets integritet äventyras, kontakta tedees tekniska support.

ANSLUTNING TILL HUSHÄLLETS ELSYSTEM

När du ansluter din Keypad PRO till ditt hems elsystem:

- 1) Utför alltid alla installationsarbeten med strömkretsen avstängd (stäng av kontakterna).
- 2) Installera enheten med DC 5-24V strömkretsar. Anslut ALDRIG enheten direkt till ett eluttag eller 230V/110V strömförsörjning. Hög risk för elstöt eller brand och fysisk skada, om den ignoreras.
- 3) Se till att Keypad PRO också drivs med de rekommenderade 4xAAA-batterierna, i händelse av potentiella strömvabrott som annars kan begränsa din kapacitet att komma åt lokaler.
- 4) Om du har några tvivel angående installationen, vänligen kontakta oss på <https://tedee.com/get-support> eller kontakta den lokala professionella elektrikern.

Varken Tedee Sp. z oo och inte heller våra återförsäljare är ansvariga för eventuella skador av något slag eller åtkomstkontrollproblem som uppstår på grund av felaktig installation av Tedee Keypad PRO i användarens elsystem i hemmet. Ovanstående inkluderar både användarens egna felaktiga handlingar, såväl som skador orsakade av tredjepartsleverantörer av installationstjänster.

TEKNISK INFORMATION

Tekniska specifikationer

Modell
TKV2.0

Strömförsörjning
4 batterier AAA

Bluetooth® kommunikation
BLE 5.2 2.4GHz

Mått
125 x 33 x 23,5 mm

Drifttemperatur
från -30°C till 50°C
Frekvensområde
från 2,4 GHz till 2,483 GHz
maximal uteffekt: 8 dBm

Driftfuktighet
max 95%

Rekommenderad inställning
max. 2 meter från tedee läs max. 2 meter från tedee bridge





JURIDISKA/MILJÖNOTERINGAR

EU-försäkran om överensstämelse

Tedee Sp. z oo förklarar härmed att Tedee Keypad PRO TKV2.0 radioenhet är i enlighet med direktiv 2014/53/EU. Den fullständiga texten till EU-försäkran om överensstämelse finns tillgänglig på följande internetadress: www.tedee.com/compliance.

WEEE / RoHS

För att förhindra potentiell negativ påverkan på miljön, konsultera lokala lagar och förordningar för korrekt kassering av elektroniska enheter och batterier i ditt land. Kassering av batterier – om din tedee-enhet innehåller batterier, släng dem inte tillsammans med vanligt hushållsavfall. Lämn över dem till en lämplig återvinningsanläggning eller ett insamlingsställe. Batterier som används i tedee-enheter innehåller inte kvicksilver, kadmium eller bly över de nivåer som anges i 2006/66/EC-direktivet. Kassering av elektronik - kassera inte din tedee-enhet med vanligt hushållsavfall. Lämn över den till en lämplig återvinningsanläggning eller ett insamlingsställe.

Bluetooth®

Bluetooth®-ordmärket och logotyperna ägs av Bluetooth SIG, Inc. och all användning av sådana märken av Tedee Sp. z oo är under licens. Andra varumärken och handelsnamn tillhör deras respektive ägare.

Google, Android och Google Play är varumärken som tillhör Google LLC.

Apple och App Store är varumärken som tillhör Apple Inc. IOS är ett varumärke eller registrerat varumärke som tillhör Cisco i USA och andra länder och används under licens.

30

NO: SIKKERHETSINFORMASJON

RETNINGSLINJER FOR BATTERISIKKERHET/ADVARSLER

Det batteridrevne Tedee-tastatursettet inkluderer ikke-oppladbare batterier som ikke kan repareres av brukeren.

Ikke gjør det

- Ikke lad opp ikke-oppladbare batterier.
- Batteriene må ikke demonteres, punkteres, modifiseres, slippes, kastes eller utsettes for andre unødvendige støt.
- Ikke la eller oppbevar batterier på varme steder, for eksempel i nærheten av en ovn, komfyr, direkte sollys eller andre varmekilder.
- Ikke sett batteriene inn i en mikrobølgeovn eller i andre høytrykksbeholdere.
- Ikke senk batteriene ned i væsker eller la dem komme i kontakt med væsker.
- Ikke kortslett batteriene.
- Ikke bruk batterier som ser ut til å lekke, være misfargede, rustne, deformerte, avgir lukt eller på annen måte er unormale.
- Ikke ta på batterier som lekker.
- Ikke bland gamle og nye batterier.
- Ikke fortsett å lade batteriene lenger enn den angitte tiden.
- Hold batteriene borte fra barn under 3 år. Hvis de svelges, må du umiddelbart kontakte lege.

ANBEFALTE BATTERIER

For å drive Keypad PRO må du bruke 4 AAA-batterier. Vi tillater kun bruk av AAA-batterier på 1,5 V (LR03).

ADVARSEL:

Fare for permanent skade på apparatet og tap av garanti ved bruk av batterier med





en driftsspenninng på over 1,5 V!

- Sett inn nye batterier på riktig måte, og følg symbolene for plassering av den positive (+) og negative (-) enden av hvert batteri. Ikke bytt om på batteripolariteten.
- Oppbevar batteriene på et kjølig, tørt sted ved normal romtemperatur.
- Batteriene må sorteres, resirkuleres og avhendes i henhold til lokale forskrifter. Kontakt de lokale myndighetene for mer informasjon.
- Bruk de medfølgende batteriene ved en driftstemperatur på -20 til +54 °C, og oppbevar dem ved en temperatur på -30 til +45 °C. Overskridelse av disse temperaturområdene kan føre til skade, tap av egenskaper, lekkasje eller eksplosjon av batteriet. Temperaturområdene ovenfor kan variere avhengig av batteriproduzenten.
- Når du bytter batterier i enheten, må du bare bruke én type batterier (ikke bland dem).

Annenn informasjon

- Kasser enheten og tilbehøret i henhold til lokale forskrifter. Resirkuler om mulig.
- Ikke kast apparatet som husholdningsavfall, og ikke brenn det.
- Denne enheten er trygg å bruke under normale og rimelig forutsigbare misbruksforhold. Hvis du oppdager tegn på feil eller maskinvarefeil, må du kontakte dedede tekniske support for å få hjelp. I slike tilfeller skal enheten returneres til dedee for nødvendige reparasjoner i henhold til garantibetingelsene. Eventuelle endringer eller modifikasjoner av enhetens maskinvare eller programvare som ikke er godkjent, anbefalt eller levert av dedee, kan gjøre garantien ugyldig.
- Denne enheten krever strømkilde og Bluetooth(R)-tilkobling for å fungere korrekt, og kan kreve Internett-tilkobling for å bruke noen av funksjonene. Produzenten er ikke ansvarlig for eventuelle problemer med tilgang til rommet som følge av manglende internetttilgang eller svikt i eller oppbrukt strømkilde.
- Denne enheten er ikke beregnet for bruk som en del av et sikkerhetssystem i hjemmet. Produzenten oppgir ingen innbruddshemmende egenskaper eller

attester, sertifikater eller klasser for innbruddshemmende beskyttelse for enheten. Produzenten er ikke ansvarlig for eventuelle skader som kan oppstå på grunn av tyveri, innbrudd eller inntrnging som følge av skade, overtakelse eller uautorisert kontroll over enheten.

- Denne enheten kan kreve kjøp av tilleggsprodukter for å aktivere noen av funksjonene. Hvis du er i tvil, vennligst kontakt dedee support.
- Denne enheten kan kreve behandling av sensitive personopplysninger, for eksempel biometriske data, for å få tilgang til noen av dens funksjoner. Slik behandling er helt frivillig og utføres på grunnlag av brukerens uttrykkelige samtykke, som kan trekkes tilbake når som helst.
- Verken Tedee Sp. z o.o. eller våre forhandlere er ansvarlige for manglende overholdelse av advarslene og sikkerhetsretningslinjene ovenfor. Ved å kjøpe denne enheten erkjenner kjøperen alle risikoer som er forbundet med bruk av Tedee-utstyr. Hvis du ikke godtar disse vilkårene, må du returnere enheten til produsenten eller distributøren før bruk.

Vedlikehold

- Ta ut batteriene fra enheten før rengjøring. Ikke bruk smøremidler, rengjøringsmidler, poleringsmidler eller luftfriskere på noen av enhetens deler. Tørk den kun av med en tørr klut.
- Hvis det viser seg at apparatet eller tastaturet er slitt i en slik grad at integriteten til huset er kompromittert, må du kontakte dedee teknisk support.

TILKOBLING TIL DET ELEKTRISKE ANLEGGET I HJEMMET

Når du kobler Keypad PRO til det elektriske anlegget i hjemmet:

- 1) Utfør alltid installasjonsarbeid mens strømkretsen er slått av (slå av støpslene).
- 2) Installer enheten ved hjelp av DC 5- 24V strømkretsen. Koble ALDRI enheten direkte til en stikkontakt eller 230V/110V strømforsyning. Stor fare for elektrisk støt eller brann og fysisk skade hvis dette ignoreres.





3) Sørg for at Keypad PRO også får strøm fra de anbefalte 4xAAA-batteriene, i tilfelle strømbrudd som ellers kan begrense kapasiteten din til å få tilgang til lokaler.

4) Hvis du er i tvil om installasjonen, kan du kontakte oss på <https://tedee.com/get-support> eller kontakte en lokal elektriker.

Verken Tedee Sp. z o.o. eller våre forhandlere er ansvarlige for eventuelle skader av noe slag eller problemer med adgangskontroll som følge av feilaktig installasjon av Tedee Keypad PRO i brukerens elektriske system. Ovennevnte inkluderer både brukerens egne feilaktige handlinger, samt skader forårsaket av tredjepartsleverandører av installasjonstjenester.

TEKNISK INFORMASJON

Tekniske spesifikasjoner

Modell
TKV2.0

Strømforsyning
4 AAA-batterier

Bluetooth®-kommunikasjon
BLE 5.2 2,4 GHz

Dimensjoner
125 x 33 x 23,5 mm

Driftstemperatur
fra -30°C til 50°C

32

Frekvensområde
fra 2,4 GHz til 2,483 GHz
maksimal utgangseffekt: 8dBm

Luftfuktighet ved drift
maksimalt 95 prosent

Anbefalt oppsett
maks. 2 meter fra Tedee sluse maks. 2 meter fra Tedee-broen

JURIDISKE / MILJØMESSIGE MERKNADER

EU-samsvarserklæring

Tedee Sp. z o.o. erklærer herved at Tedee Keypad PRO TKV2.0 radioenhet er i samsvar med direktiv 2014/53/EU. Den fullstendige teksten til EU-samsvarserklæringen er tilgjengelig på følgende internettsadresse: www.tedee.com/compliance.

WEEE / RoHS

For å forhindre potensiell negativ innvirkning på miljøet, bør du ta kontakt med lokale lover og forskrifter for korrekt avhending av elektroniske enheter og batterier i ditt land. Kassering av batterier - Hvis tedee-enheten inneholder batterier, må du ikke kaste dem sammen med vanlig husholdningsavfall. Lever dem til et egnet resirkuleringsanlegg eller et innsamlingssted. Batterier som brukes i tedee-enheter, inneholder ikke kvikksølv, kadmium eller bly over nivåene som er spesifisert i direktiv 2006/66/EF. Avhending av elektronikk - ikke kast tedee-enheten sammen med vanlig husholdningsavfall. Lever den til et egnet resirkuleringsanlegg eller et innsamlingssted.





Bluetooth®

Bluetooth®-ordmerket og logoene eies av Bluetooth SIG, Inc. og enhver bruk av slike merker av Tedee Sp. z o.o. er under lisens. Andre varemerker og handelsnavn tilhører sine respektive eiere.

Google, Android og Google Play er varemerker som tilhører Google LLC.

Apple og App Store er varemerker som tilhører Apple Inc. IOS er et varemerke eller registrert varemerke som tilhører Cisco i USA og andre land, og brukes under lisens.

F: TURVALLISUUSTIEDOT

AKKUJEN TURVALLISUUSOHJEET/VAROITUKSET

Akkukäyttöinen Tedee-näppäimistösarja sisältää ei-ladattavia ja ei-käyttäjän huollettavia akkuja.

Älä

- Älä lataa ei-ladattavia paristoja.
- Älä pura, puhkaise, muokkaa, pudota, heitä tai aiheuta muita tarpeettomia iskuja akkuihin.
- Älä jätä tai säilytä paristoja kuumissa paikoissa, kuten uunin, liedan, suoran auringonvalon tai muun lämmönlähteen lähellä.
- Älä laita paristoja mikroaaltouuniin tai muuhun korkeapainesäiliöön.
- Älä upota paristoja nesteisiin tai anna niiden joutua kosketuksiin nesteiden kanssa.
- Älä oikosulje akkuja.
- Älä käytä paristoja, jotka näyttävät vuotavan, värjäytyneiltä, ruosteisilta tai vääristyneiltä; päästää hajua; tai ovat muuten epänormaaleja.
- Älä koske vuotaviin paristoihin.
- Älä sekoita vanhoja ja uusia paristoja.

- Älä jatka akkujen lataamista määritettyä aikaa pidempään.
- Pidä paristot poissa alle 3-vuotaiden lasten ulottuvilta. Jos niitä niellään, ota välittömästi yhteyttä paikalliseen lääkäriin.

SUOSITELLUT AKUT

Keypad PRO:n syöttämiseksi tarvitset 4 AAA-paristoa. Sallimme vain 1,5 V (LR03) AAA-paristojen käytön.

VAROITUS:

Laitteen pysyvän vaurioitumisen ja takuun menetyksen vaara, jos akkuja, joiden käyttöjännite on yli 1,5 V, asennetaan!

- Asenna uudet paristot oikein ja seuraa kunkin pariston positiivisen (+) ja negatiivisen (-) pään symboleja. Älä vaihda akun napaisuutta.
- Säilytä akkuja viileässä, kuivassa paikassa normaalissa huoneenlämmössä.
- Erottele, kierrätä ja hävitä paristot paikallisten määräysten mukaisesti. Lisätietoja saat paikalliselta viranomaiselta.
- Käytä mukana toimitettuja paristoja -20 - +54 °C:n käyttölämpötilassa ja säilytä niitä -30 - +45 °C:n lämpötilassa. Näiden rajojen ylittäminen voi johtaa akun vaurioitumiseen, ominaisuuksien menettämiseen, vuotamiseen tai räjähtämiseen. Yllä mainitut lämpötila-alueet voivat vaihdella akun valmistajan mukaan.
- Kun vaihdat laitteen paristoja, käytä vain yhden tyyppisiä paristoja (älä sekoita).

Muut tiedot

- Hävitä laitteet ja niiden lisävarusteet paikallisten määräysten mukaisesti. Jos mahdollista, kierrätä.
- Älä hävitä laitetta talousjätteen mukana äläkä polta sitä.
- Tätä laitetta on turvallista käyttää normaalien ja kohtuudella ennakoitavien väärinkäytösten mukaisesti. Jos huomaat merkkejä virheistä tai laitteiston toimintahäiriöstä, ota yhteyttä Tedeen tekniseen tukeen. Tässä tapauksessa





tämä laite tulee palauttaa Tedeelle takuuehtojen mukaisesti tarvittavia korjauksia varten. Kaikki laitteen laitteistoon tai ohjelmistoon tehdyt muutokset, joita teede ei ole hyväksynyt, suositellenut tai toimittanut, voivat mitätöidä takuusi.

- Tämä laite tarvitsee virtalähteen ja Bluetooth(R)-yhteyden toimiakseen oikein, ja se saattaa vaatia Internet-yhteyden käyttääkseen joitakin sen ominaisuuksia. Valmistaja ei ole vastuussa mahdollisista huoneiden pääsyongelmista, jotka johtuvat Internet-yhteyden puutteesta tai virtalähteen viasta tai ehtymisestä.
- Tätä laitetta ei ole tarkoitettu käytettäväksi osana kodin turvajärjestelmää. Valmistaja ei ilmoita laitteelle mitään murtosuojausominaisuuksia tai todistuksia, todistuksia tai murtosuojausluokkia. Valmistaja ei ole vastuussa mistään mahdollisista vahingoista/vammoista, jotka aiheutuvat varkaudesta, murtautumisesta tai tunkeutumisesta, jotka johtuvat vauriosta, laitteen voittamisesta tai luvattomasta hallinnasta.
- Tämä laite saattaa edellyttää lisätuotteiden ostamista joidenkin sen ominaisuuksien mahdollistamiseksi. Jos olet epävarma, ota yhteyttä Tedeen tukeen.
- Tämä laite saattaa vaatia arkaluontoisten henkilötietojen, kuten biometristen tietojen, käsittelyä käyttääkseen joitakin sen toimintoja. Tällainen käsittely on täysin vapaaehtoista, ja se tapahtuu käyttäjän nimenomaisen suostumuksen perusteella, joka voidaan peruuttaa milloin tahansa.
- Ei myöskään Tede Sp. z oo., eivätkä jälleenmyyjämme ole vastuussa yllä olevien varoitusten ja turvallisuusohjeiden noudattamatta jättämisestä. Ostamalla tämän laitteen ostaja hyväksyy kaikki Tede -laitteiden käyttöön liittyvät riskit. Jos et hyväksy näitä ehtoja, palauta laite valmistajalle tai jälleenmyyjälle ennen käyttöä.

Huolto

- Poista paristot laitteesta ennen puhdistamista. Älä käytä voiteluaineita, puhdistusaineita, kiillotusaineita tai ilmanraikasteita laitteen missään osassa. Pyyhi se vain kuivalla liinalla.
- Jos laitteen kotelo tai näppäimistö on kulunut niin paljon, että kotelon eheys vaarantuu, ota yhteyttä Tedeen tekniseen tukeen.

34

LIITÄNTÄ KODIN SÄHKÖJÄRJESTELMÄÄN

Kun kytket Keypad PRO:n kodin sähköjärjestelmään:

- 1) Suorita asennustyöt aina virtapiirin ollessa pois päältä (käännä pistokkeet pois päältä).
- 2) Asenna laite käyttämällä DC 5-24V virtapiiriä. ÄLÄ KOSKAAN kytke laitetta suoraan pistorasiaan tai 230V/110V virtalähteeseen. Suuri sähköiskun tai tulipalon ja fyysisen loukkaantumisen riski, jos huomiotta ei oteta.
- 3) Varmista, että Keypad PRO saa virtansa myös suositelluilla 4xAAA-paristoilla mahdollisten sähkökatkojen varalta, jotka voivat muuten rajoittaa pääsyä tiloihin.
- 4) Jos sinulla on epäilyksiä asennuksesta, ota meihin yhteyttä osoitteessa <https://tede.com/get-support> tai ota yhteyttä paikalliseen sähköasentajaan.

Ei myöskään Tede Sp. z oo., eivätkä jälleenmyyjämme ole vastuussa mahdollisista vahingoista tai kulunvalvontaongelmista, jotka johtuvat Tede Keypad PRO:n virheellisestä asennuksesta käyttäjän kodin sähköjärjestelmään. Yllä oleva kattaa sekä käyttäjän omat sopimattomat toimet että kolmannen osapuolen asennuspalveluntarjoajien aiheuttamat vahingot.

TEKNISIÄ TIETOJA

Tekniset tiedot

Malli
TKV2.0

Virtalähde
4 AAA-paristoa





Bluetooth®-tiedonsiirto
BLE 5.2 2.4GHz

Mitat
125 x 33 x 23,5 mm

Käyttölämpötila
-30°C - 50°C

Taajuusalue
2,4 GHz - 2,483 GHz
maksimilähtöteho: 8 dBm

Käyttökosteus
enintään 95 %

Suositeltu asennus
max. 2 metriä Tedeeseen lukosta max. 2 metrin päässä Tedeeseen sillasta

LAKI-/YMPÄRISTÖHUOMAUTUKSIA

EU-vaatimustenmukaisuusvakuutus

Tedee Sp. z oo vakuuttaa täten, että Tedee Keypad PRO TKV2.0 -radiolaite on direktiivin 2014/53/EU mukainen. EU-vaatimustenmukaisuusvakuutuksen teksti kokonaisuudessaan on saatavilla seuraavasta Internet-osoitteesta: www.tedee.com/compliance.

WEEE / RoHS

Estä mahdolliset kielteiset ympäristövaikutukset tarkistamalla paikalliset lait ja määräykset elektronisten laitteiden ja akkujen asianmukaisesta hävittämisestä maassasi. Paristojen hävittäminen – jos Tedee- laitteessa on paristoja, älä

hävitä niitä tavallisen kotitalousjätteen mukana. Toimita ne asianmukaiseen kierrätyspisteeseen tai keräyspisteeseen. Tedee -laitteissa käytetyt akut eivät sisällä elohopeaa, kadmiumia tai lyijyä yli direktiivissä 2006/66/EY määritellyt tasot. Elektroniikan hävittäminen – älä hävitä tedee- laitetta tavallisen kotitalousjätteen mukana. Toimita se asianmukaiseen kierrätyspisteeseen tai keräyspisteeseen.

Bluetooth®

Bluetooth®-sanamerkin ja -logot omistaa Bluetooth SIG, Inc. ja Tedee Sp. z oo: lla on lisenssi. Muut tavamerkit ja kauppanimet ovat vastaavien omistajiensa omaisuutta.

Google, Android ja Google Play ovat Google LLC:n tavamerkkejä.

Apple ja App Store ovat Apple Inc:n tavamerkkejä. IOS on Ciscon tavamerkki tai rekisteröity tavamerkki Yhdysvalloissa ja muissa maissa, ja sitä käytetään lisenssillä.

RO: INFORMAȚII PRIVIND SIGURANȚA

INSTRUCȚIUNI/AVERTISMENTE PRIVIND SIGURANȚA BATERIEI

Setul de tastaturi Tedee alimentat de baterii include baterii nereîncărcabile și care nu pot fi reparate de utilizator.

Nu

- Nu încercați bateriile nereîncărcabile.
- Nu dezasamblați, perforați, modificați, scăpați, aruncați și nu provocați alte șocuri inutile bateriilor.
- Nu lăsați și nu depozitați bateriile în locuri fierbinți, cum ar fi lângă un cuptor, aragaz, lumina directă a soarelui sau altă sursă de căldură.
- Nu puneți bateriile într-un cuptor cu microunde sau în orice alt recipient de





înalță presiune.

- Nu scufundați bateriile în lichide și nu lăsați-le să intre în contact cu lichide.
- Nu scurtcircuitați bateriile.
- Nu folosiți baterii care par a avea scurgeri, decolorate, ruginite, deformate; emit un miros; sau sunt altfel anormale.
- Nu atingeți bateriile care se scurg.
- Nu amestecați bateriile vechi și noi.
- Nu continuați să încarcați bateriile mai mult decât timpul specificat.
- Țineți bateriile departe de copiii cu vârsta sub 3 ani. Dacă sunt înghițite, contactați imediat asistența medicală locală.

BATERII RECOMANDATE

Pentru a vă alimenta Keypad PRO, trebuie să utilizați 4 baterii AAA. Permiteți doar utilizarea bateriilor AAA de 1,5V (LR03).

AVERTIZARE:

Risc de deteriorare permanentă a dispozitivului și pierderea garanției dacă sunt instalate baterii cu o tensiune de funcționare mai mare de 1,5V!

- Introduceți corect bateriile noi, urmând simbolurile pentru poziționarea capetele pozitive (+) și negative (-) ale fiecărei baterii. Nu inversați polaritatea bateriei.
- Depozitați bateriile într-un loc răcoros și uscat, la temperatura normală a camerei.
- Separați, reciclați și aruncați bateriile în conformitate cu reglementările locale. Pentru mai multe informații, contactați autoritatea locală.
- Utilizați bateriile incluse la o temperatură de funcționare de -20 până la +54 °C și depozitați-le la o temperatură de -30 până la +45 °C. Depășirea acestor intervale poate duce la deteriorarea, pierderea proprietăților, scurgerile sau explozia bateriei. Intervalele de temperatură de mai sus pot varia în funcție de producătorul bateriei.
- Când înlocuiți bateriile în dispozitiv, utilizați un singur tip de baterii (nu

amestecați).

Alte informații

- Aruncați dispozitivele și accesoriile acestuia în conformitate cu reglementările locale. Dacă este posibil, reciclați.
- Nu aruncați dispozitivul ca gunoi menajer și nu îl ardeți.
- Acest dispozitiv poate fi utilizat în condiții de siguranță în conformitate cu codul de conduită pentru utilizare greșită normală și previzibilă în mod rezonabil. Dacă observați semne de erori sau defecțiuni hardware, contactați asistența tehnică Tedee pentru ajutor. În acest caz, acest dispozitiv trebuie returnat la Tedee pentru reparațiile necesare în condițiile garanției. Orice modificări sau modificări ale hardware-ului sau software-ului dispozitivului care nu sunt aprobate, recomandate sau furnizate de Tedee vă pot anula garanția.
- Acest dispozitiv necesită o sursă de alimentare și o conexiune Bluetooth(R) pentru o funcționare corectă și poate necesita o conexiune la Internet pentru a utiliza unele dintre funcțiile sale. Producătorul nu este responsabil pentru potențialele probleme de acces la încăperi care rezultă din lipsa accesului la internet sau defecțiunea sau epuizarea sursei de alimentare.
- Acest dispozitiv nu este destinat utilizării ca parte a unui sistem de securitate la domiciliu. Producătorul nu declară proprietăți antifracție sau atestări, certificate sau clase de protecție antifracție pentru dispozitiv. Producătorul nu va fi responsabil pentru eventualele daune/răniri suferite din cauza furtului, efracției sau intruziunii rezultate din deteriorarea, depășirea sau obținerea neautorizată a controlului asupra dispozitivului.
- Acest dispozitiv poate necesita achiziționarea de produse suplimentare pentru a activa unele dintre funcțiile sale. Dacă aveți îndoieli, vă rugăm să contactați asistența Tedee.
- Acest dispozitiv poate necesita prelucrarea datelor personale sensibile, cum ar fi datele biometrice, pentru a accesa unele dintre funcțiile sale. O astfel de prelucrare este în întregime voluntară și se realizează pe baza consimțământului explicit al utilizatorului, care poate fi retras în orice moment.
- Nici Tedee Sp. z oo și nici comercianții noștri sunt responsabili pentru



36





nerespectarea avertismentelor și a instrucțiunilor de siguranță de mai sus. Prin achiziționarea acestui dispozitiv, cumpărătorul recunoaște toate riscurile asociate cu utilizarea echipamentului tedee. Dacă nu sunteți de acord cu acești termeni, returnați dispozitivul producătorului sau distribuitorului înainte de utilizare.

Întreținere

- Scoateți bateriile din dispozitiv înainte de curățare. Nu utilizați lubrifianți, agenți de curățare, lustruiți sau odorizante pe nicio parte a dispozitivului. Ștergeți-l numai cu o cârpă uscată.
- Dacă se constată că carcasa sau tastatura dispozitivului sunt uzate în măsura în care integritatea carcasei este compromisă, contactați asistența tehnică tedee.

RACORDARE LA SISTEMUL ELECTRIC CASNIC

În timp ce conectați Keypad PRO la sistemul electric de acasă:

- 1) Efectuați întotdeauna orice lucrare de instalare cu circuitul de alimentare oprit (închideți ștecheretele).
- 2) Instalați dispozitivul utilizând circuitul de alimentare DC 5-24V. NU conectați NICIODATĂ dispozitivul direct la o priză electrică sau la o sursă de alimentare de 230V/110V. Risc ridicat de electrocutare sau incendiu și vătămare fizică, dacă este ignorat.
- 3) Asigurați-vă că Keypad PRO este alimentat și cu bateriile 4xAAA recomandate, în cazul unor potențiale întreruperi de curent care altfel vă pot limita capacitatea de a accesa sediul.
- 4) În cazul oricăror îndoieli cu privire la instalare, vă rugăm să ne contactați la <https://tedee.com/get-support> sau să contactați electricianul profesionist local.

Nici Tedee Sp. z oo, nici comercianții noștri nu sunt responsabili pentru eventualele

daune de orice fel sau probleme de control al accesului care rezultă din instalarea necorespunzătoare a Tedee Keypad PRO la sistemul electric de acasă al utilizatorului. Cele de mai sus includ atât acțiunile improprii proprii ale utilizatorului, cât și daunele cauzate de furnizorii terți de servicii de instalare.

INFORMAȚII TEHNICE

Specificatii tehnice

Model
TKV2.0

Alimentare
4 baterii AAA

Comunicare Bluetooth®
BLE 5.2 2.4GHz

Dimensiuni
125 x 33 x 23,5 mm

Temperatura de funcționare
de la -30°C la 50°C

Gama de frecvențe
de la 2,4 GHz la 2,483 GHz
putere maximă de ieșire: 8 dBm

Umiditate de funcționare
maxim 95%

Setare recomandată
max. 2 metri de ecluză tedee max. 2 metri de podul Tedee





NOTE LEGALE / DE MEDIU

Declarație de conformitate UE

Tedee Sp. z oo declară prin prezenta că dispozitivul radio Tedee Keypad PRO TKV2.0 este în conformitate cu Directiva 2014/53/UE. Textul integral al Declarației de conformitate UE este disponibil la următoarea adresă de internet: www.tedee.com/compliance.

DEEE / RoHS

Pentru a preveni un potențial impact negativ asupra mediului, consultați legile și reglementările locale pentru eliminarea corectă a dispozitivelor electronice și a bateriilor din țara dumneavoastră. Aruncarea bateriilor – dacă dispozitivul dvs. tedee conține baterii, nu le aruncați împreună cu deșeurile menajere obișnuite. Predați-le la o unitate de reciclare adecvată sau la un punct de colectare. Bateriile utilizate în dispozitivele tedee nu conțin mercur, cadmiu sau plumb peste nivelurile specificate în Directiva 2006/66/CE. Aruncarea dispozitivelor electronice - nu aruncați dispozitivul dvs. tedee cu deșeurile menajere obișnuite. Predați-l la o unitate de reciclare adecvată sau la un punct de colectare.

Bluetooth®

Marca verbală și siglele Bluetooth® sunt deținute de Bluetooth SIG, Inc. și orice utilizare a acestor mărci de către Tedee Sp. z oo este sub licență. Alte mărci comerciale și nume comerciale aparțin deținătorilor respectivi.

Google, Android și Google Play sunt mărci comerciale ale Google LLC.

Apple și App Store sunt mărci comerciale ale Apple Inc. IOS este o marcă comercială sau o marcă comercială înregistrată a Cisco în SUA și în alte țări și este utilizată sub licență.

38

BG: ИНФОРМАЦИЯ ЗА БЕЗОПАСНОСТ

УКАЗАНИЯ/ПРЕДУПРЕЖДЕНИЯ ЗА БЕЗОПАСНОСТ НА БАТЕРИЯТА

Комплектът клавиатура Tedee, захранван с батерии, включва батерии, които не могат да се зареждат и не се обслужват от потребителя.

недей

- Не зареждайте неакумулаторни батерии.
- Не разглобявайте, пробивайте, модифицирайте, изпускайте, хвърляйте и не причинявайте други ненужни удари на батериите.
- Не оставяйте и не съхранявайте батериите на горещи места, като например близо до фурна, печка, пряка слънчева светлина или друг източник на топлина.
- Не поставяйте батериите в микровълнова фурна или в друг съд под високо налягане.
- Не потапяйте батериите в течности и не им позволявайте да влизат в контакт с течности.
- Не свързвайте батериите на късо.
- Не използвайте батерии, които изглеждат течачи, обезцветени, ръждясали, деформирани; излъчват миризма; или са необичайни по друг начин.
- Не докосвайте изтекли батерии.
- Не смесвайте стари и нови батерии.
- Не продължавайте да зареждате батериите по-дълго от определеното време.
- Пазете батериите далеч от деца под 3-годишна възраст. При поглъщане незабавно се свържете с местната медицинска помощ.

ПРЕПОРЪЧИТЕЛНИ БАТЕРИИ

За да захранвате своя Keypad PRO, трябва да използвате 4 AAA батерии.





Разрешаваме използването само на батерии AAA от 1,5V (LR03).

ПРЕДУПРЕЖДЕНИЕ:

Риск от трайна повреда на уреда и загуба на гаранция при инсталиране на батерии с работно напрежение над 1,5V!

- Поставете новите батерии правилно, като следвате символите за позициониране на положителния (+) и отрицателния (-) край на всяка батерия. Не обръщайте поляритета на батерията.
- Съхранявайте батериите на хладно и сухо място при нормална стайна температура.
- Разделяйте, рециклирайте и изхвърляйте батериите в съответствие с местните разпоредби. За повече информация се свържете с местните власти.
- Използвайте включените батерии при работна температура от -20 до +54° C и ги съхранявайте при температура от -30 до +45°C. Превिшаването на тези диапазони може да доведе до повреда, загуба на свойства, изтичане или експлозия на батерията. Горните температурни диапазони може да варират в зависимост от производителя на батерията.
- При смяна на батерии в устройството използвайте само един вид батерии (не смесвайте).

Друга информация

- Изхвърлете устройствата и техните аксесоари в съответствие с местните разпоредби. Ако е възможно, рециклирайте.
- Не изхвърляйте устройството като битов отпадък и не го изгаряйте.
- Това устройство е безопасно за използване при нормален и разумно предвидим оперативен кодекс за злоупотреба. Ако забележите признаци на грешки или хардуерна неизправност, свържете се с техническата поддръжка на tedee за помощ. В такъв случай това устройство трябва да бъде върнато на tedee за необходимите ремонти при гаранционните

условия. Всички промени или модификации на хардуера или софтуера на устройството, които не са одобрени, препоръчани или предоставени от tedee, могат да анулират гаранцията ви.

- Това устройство изисква източник на захранване и Bluetooth(R) връзка за правилна работа и може да изисква интернет връзка, за да използва някои от неговите функции. Производителят не носи отговорност за потенциални проблеми с достъпа до стаята, произтичащи от липса на достъп до интернет или повреда или изчерпване на източника на захранване.
- Това устройство не е предназначено за използване като част от система за домашна сигурност. Производителят не декларира противозломни свойства или атестации, сертификати или класове противозломна защита за устройството. Производителят не носи отговорност за потенциални щети/наранявания, причинени от кражба, кражба с взлом или проникване в резултат на повреда, преодоляване или неотризирано придобиване на контрол над устройството.
- Това устройство може да изисква закупуването на допълнителни продукти, за да се активират някои от функциите му. Ако се съмнявате, моля, свържете се с поддръжката на tedee .
- Това устройство може да изисква обработка на чувствителни лични данни, като например биометрични данни, за достъп до някои от неговите функции. Подобна обработка е изцяло доброволна и се извършва въз основа на изричното съгласие на потребителя, което може да бъде оттеглено по всяко време.
- Нито Tedee Sp. z oo , нито нашите търговци на дребно са отговорни за неспазване на горните предупреждения и указания за безопасност. Със закупуването на това устройство, купувачът поема всички рискове, свързани с използването на оборудване tedee . Ако не сте съгласни с тези условия, върнете устройството на производителя или дистрибутора преди употреба.

Поддръжка

- Извадете батериите от устройството преди почистване. Не използвайте





никакви лубриканти, почистващи препарати, лакове или освежители за въздух върху която и да е част от устройството. Избършете го само със суха кърпа.

- Ако се установи, че корпусът на устройството или клавиатурата са износени до степен, че целостта на корпуса е компрометирана, свържете се с техническата поддръжка на tedee .

СВЪРЗВАНЕ КЪМ ДОМАШНАТА ЕЛЕКТРИЧЕСКА СИСТЕМА

Докато свързвате вашия Keypad PRO към вашата домашна електрическа система:

- 1) Винаги извършвайте всяка инсталационна работа с изключена захранваща верига (изключете щепселите).
- 2) Инсталирайте устройството, като използвате DC 5-24V захранваща верига. НИКОГА не включвайте устройството директно в електрически контакт или 230V/110V захранване. Висок риск от токов удар или пожар и физическо нараняване, ако бъде пренебрегнат.
- 3) Уверете се, че Keypad PRO също се захранва с препоръчителните 4xAAA батери, в случай на потенциални прекъсвания на електрозахранването, които иначе могат да ограничат капацитета ви за достъп до помещения.
- 4) В случай на съмнения относно инсталирането, моля, свържете се с нас на <https://tedee.com/get-support> или се свържете с местния професионален електротехник.

Нито Tedee Sp. z oo , нито нашите търговци на дребно не носят отговорност за потенциални щети от всякакъв вид или проблеми с контрола на достъпа, произтичащи от неправилно инсталиране на Tedee Keypad PRO към домашната електрическа система на потребителя. Горното включва както неправилни действия на самия потребител, така и щети, причинени от

40

доставчици на инсталационни услуги на трети страни.

ТЕХНИЧЕСКА ИНФОРМАЦИЯ

Технически спецификации

Модел
TKV2.0

Захранване
4 батерии AAA

Bluetooth® комуникация
BLE 5.2 2.4GHz

Размери
125 x 33 x 23,5 мм

Работна температура
от -30°C до 50°C
Честотен диапазон
от 2.4GHz до 2.483GHz
максимална изходна мощност: 8dBm

работна влажност
95%

Препоръчителна настройка
макс. 2 метра от tedee брава макс. На 2 метра от моста Теди





ПРАВНИ / ЕКОЛОГИЧНИ БЕЛЕЖКИ

ЕС декларация за съответствие

Tedee Sp. z oo с настоящото декларира, че радиоустройството Tedee Keypad PRO TKV2.0 е в съответствие с Директива 2014/53/ЕС. Пълният текст на ЕС декларацията за съответствие е достъпен на следния интернет адрес: www.tedee.com/compliance.

WEEE / RoHS

За да предотвратите потенциално отрицателно въздействие върху околната среда, консултирайте се с местните закони и разпоредби относно правилното изхвърляне на електронни устройства и батерии във вашата страна. Изхвърляне на батерии – ако вашето устройство tedee съдържа батерии, не ги изхвърляйте с обикновените битови отпадъци. Предайте ги в подходящо съоръжение за рециклиране или събирателен пункт. Батериите, използвани в устройства tedee, не съдържат живак, кадмий или олово над нивата, посочени в Директива 2006/66/ЕС. Изхвърляне на електроника - не изхвърляйте устройството tedee с обикновените битови отпадъци. Предайте го в подходящо съоръжение за рециклиране или събирателен пункт.

Bluetooth®

Словната марка и логото Bluetooth® са собственост на Bluetooth SIG, Inc. и всяко използване на такива марки от Tedee Sp. z oo е с лиценз. Други търговски марки и търговски имена са на съответните им собственици.

Google, Android и Google Play са търговски марки на Google LLC.

Apple и App Store са търговски марки на Apple Inc. IOS е търговска марка или регистрирана търговска марка на Cisco в САЩ и други страни и се използва

с лиценз.

EL: ΠΛΗΡΟΦΟΡΙΕΣ ΓΙΑ ΤΗΝ ΑΣΦΑΛΕΙΑ

ΟΔΗΓΙΕΣ/ΠΡΟΕΙΔΟΠΟΙΗΣΕΙΣ ΓΙΑ ΤΗΝ ΑΣΦΑΛΕΙΑ ΤΗΣ ΜΠΑΤΑΡΙΑΣ

Το сет πληκτρολογίων Tedee με μπαταρίες περιλαμβάνει μπαταρίες που δεν επαναφορτίζονται και δεν μπορούν να συντηρηθούν από τον χρήστη.

Μην

- Μην φορτίζετε μη επαναφορτιζόμενες μπαταρίες.
- Μην αποσυναρμολογείτε, μην τρυπάτε, μην τροποποιείτε, μην ρίχνετε, μην πετάτε και μην προκαλείτε άλλους άσκοπους κραδασμούς στις μπαταρίες.
- Μην αφήνετε ή αποθηκεύετε τις μπαταρίες σε ζεστά μέρη, όπως κοντά σε φούρνο, σόμπα, άμεσο ηλιακό φως ή άλλη πηγή θερμότητας.
- Μην τοποθετείτε τις μπαταρίες σε φούρνο μικροκυμάτων ή σε οποιοδήποτε άλλο δοχείο υψηλής πίεσης.
- Μην βυθίζετε τις μπαταρίες σε υγρά και μην τις αφήνετε να έρθουν σε επαφή με υγρά.
- Μην βραχυκυκλώνετε τις μπαταρίες.
- Μην χρησιμοποιείτε μπαταρίες που παρουσιάζουν διαρροή, αποχρωματισμό, σκουριά, παραμόρφωση, εκπέμπουν οσμή ή είναι αλλιώς μη φυσιολογικές.
- Μην αγγίζετε τις μπαταρίες που διαρρέουν.
- Μην αναμειγνύετε παλιές και νέες μπαταρίες.
- Μην συνεχίζετε να φορτίζετε τις μπαταρίες περισσότερο από τον καθορισμένο χρόνο.
- Κρατήστε τις μπαταρίες μακριά από παιδιά κάτω των 3 ετών. Σε περίπτωση κατάποσης, επικοινωνήστε αμέσως με την τοπική ιατρική βοήθεια.

ΣΥΝΙΣΤΩΜΕΝΕΣ ΜΠΑΤΑΡΙΑΣ

Για την τροφοδοσία του Keypad PRO, πρέπει να χρησιμοποιήσετε 4 μπαταρίες AAA. Επιτρέπουμε τη χρήση μόνο μπαταριών AAA 1,5V (LR03).





ΠΡΟΕΙΔΟΠΟΙΗΣΗ:

Κίνδυνος μόνιμης βλάβης της συσκευής και απώλειας εγγύησης εάν τοποθετηθούν μπαταρίες με τάση λειτουργίας που υπερβαίνει τα 1,5V!

- Τοποθετήστε σωστά τις νέες μπαταρίες, ακολουθώντας τα σύμβολα για την τοποθέτηση των θετικών (+) και αρνητικών (-) άκρων κάθε μπαταρίας. Μην αντιστρέψετε την πολικότητα των μπαταριών.
- Αποθηκεύετε τις μπαταρίες σε δροσερό, ξηρό μέρος σε κανονική θερμοκρασία δωματίου.
- Διαχωρίστε, ανακυκλώστε και απορρίψτε τις μπαταρίες σύμφωνα με τους τοπικούς κανονισμούς. Για περισσότερες πληροφορίες επικοινωνήστε με την τοπική σας αρχή.
- Χρησιμοποιήστε τις μπαταρίες που περιλαμβάνονται σε θερμοκρασία λειτουργίας από -20 έως +54°C και αποθηκεύστε τις σε θερμοκρασία από -30 έως +45°C. Η υπέρβαση αυτών των ορίων μπορεί να οδηγήσει σε βλάβη, απώλεια ιδιοτήτων, διαρροή ή έκρηξη της μπαταρίας. Τα παραπάνω εύρη θερμοκρασιών ενδέχεται να διαφέρουν ανάλογα με τον κατασκευαστή της μπαταρίας.
- Κατά την αντικατάσταση των μπαταριών στη συσκευή χρησιμοποιήστε μόνο έναν τύπο μπαταριών (μην αναμειγνύετε).

Άλλες πληροφορίες

- Απορρίψτε τις συσκευές και τα εξαρτήματά τους σύμφωνα με τους τοπικούς κανονισμούς. Εάν είναι δυνατόν, ανακυκλώστε.
- Μην απορρίπτετε τη συσκευή ως οικιακά απορρίμματα και μην την καίτε.
- Αυτή η συσκευή είναι ασφαλής για χρήση υπό κανονικές συνθήκες και υπό εύλογα προβλέψιμες συνθήκες κακής χρήσης. Εάν παρατηρήσετε οποιαδήποτε σημάδια σφαλμάτων ή δυσλειτουργίας υλικού, επικοινωνήστε με την τεχνική υποστήριξη της tedee για βοήθεια. Σε μια τέτοια περίπτωση η συσκευή αυτή θα πρέπει να επιστραφεί στην tedee για τις απαραίτητες επισκευές σύμφωνα με τους όρους εγγύησης. Τυχόν αλλαγές ή τροποποιήσεις στο υλικό ή το λογισμικό της συσκευής που δεν είναι εγκεκριμένες, συνιστώμενες ή παρεχόμενες από την tedee ενδέχεται να ακυρώσουν την εγγύησή σας.
- Αυτή η συσκευή απαιτεί πηγή ρεύματος και σύνδεση Bluetooth(R) για τη σωστή 42

- λειτουργία και ενδέχεται να απαιτεί σύνδεση στο Internet για να χρησιμοποιήσετε ορισμένες από τις λειτουργίες της. Ο κατασκευαστής δεν ευθύνεται για πιθανά προβλήματα πρόσβασης στο δωμάτιο που προκύπτουν από την έλλειψη πρόσβασης στο διαδίκτυο ή την αποτυχία ή εξάντληση της πηγής τροφοδοσίας.
- Αυτή η συσκευή δεν προορίζεται για χρήση ως μέρος ενός οικιακού συστήματος ασφαλείας. Ο κατασκευαστής δεν δηλώνει αντιδιαρρηκτικές ιδιότητες ή βεβαιώσεις, πιστοποιητικά ή κλάσεις αντιδιαρρηκτικής προστασίας για τη συσκευή. Ο κατασκευαστής δεν ευθύνεται για τυχόν ζημιές/τραυματισμούς που μπορεί να προκληθούν λόγω κλοπής, διάρρηξης ή εισβολής που προκύπτουν από βλάβη, υπέρβαση ή μη εξουσιοδοτημένη απόκτηση ελέγχου της συσκευής.
 - Αυτή η συσκευή ενδέχεται να απαιτεί την αγορά πρόσθετων προϊόντων για να ενεργοποιηθούν ορισμένες από τις λειτουργίες της. Εάν έχετε αμφιβολίες, επικοινωνήστε με την υποστήριξη της tedee.
 - Αυτή η συσκευή ενδέχεται να απαιτεί την επεξεργασία ευαίσθητων προσωπικών δεδομένων, όπως βιομετρικά δεδομένα, για την πρόσβαση σε ορισμένες από τις λειτουργίες της. Η εν λόγω επεξεργασία είναι απολύτως προαιρετική και πραγματοποιείται βάσει της ρητής συγκατάθεσης του χρήστη, η οποία μπορεί να ανακληθεί ανά πάσα στιγμή.
 - Ούτε η Tedee Sp. z o.o., ούτε οι λιανοπωλητές μας είναι υπεύθυνοι για τη μη συμμόρφωση με τις παραπάνω προειδοποιήσεις και οδηγίες ασφαλείας. Με την αγορά αυτής της συσκευής, ο αγοραστής αναγνωρίζει όλους τους κινδύνους που συνδέονται με τη χρήση του εξοπλισμού της tedee. Εάν δεν συμφωνείτε με αυτούς τους όρους, επιστρέψτε τη συσκευή στον κατασκευαστή ή το διανομέα πριν από τη χρήση.

Συντήρηση

- Αφαιρέστε τις μπαταρίες από τη συσκευή πριν από τον καθαρισμό. Μην χρησιμοποιείτε λιπαντικά, καθαριστικά, γυαλιστικά ή αποσμητικά χώρου σε κανένα μέρος της συσκευής. Σκουπίστε την μόνο με ένα στεγνό πανί.
- Εάν διαπιστωθεί ότι το περίβλημα της συσκευής ή το πληκτρολόγιο έχει φθαρεί σε βαθμό που να διακυβεύεται η ακεραιότητα του περιβλήματός, επικοινωνήστε με την τεχνική υποστήριξη της tedee.





ΣΥΝΔΕΣΗ ΜΕ ΤΟ ΟΙΚΙΑΚΟ ΗΛΕΚΤΡΙΚΟ ΣΥΣΤΗΜΑ

Ενώ συνδέετε το Keypad PRO στο ηλεκτρικό σύστημα του σπιτιού σας:

- 1) Εκτελείτε πάντα κάθε εργασία εγκατάστασης με το κύκλωμα ρεύματος απενεργοποιημένο (κλείστε τα βύσματα).
- 2) Εγκαταστήστε τη συσκευή χρησιμοποιώντας το κύκλωμα τροφοδοσίας DC 5- 24V. ΠΟΤΕ μην συνδέετε τη συσκευή απευθείας σε πρίζα ή σε τροφοδοτικό 230V/110V. Υψηλός κίνδυνος ηλεκτροπληξίας ή πυρκαγιάς και σωματικών τραυματισμών, εάν αγνοηθεί.
- 3) Βεβαιωθείτε ότι το Keypad PRO τροφοδοτείται επίσης με τις συνιστώμενες μπαταρίες 4xAAA, σε περίπτωση πιθανών διακοπών ρεύματος που μπορεί διαφορετικά να περιορίσουν την ικανότητά σας να έχετε πρόσβαση σε χώρους.
- 4) Σε περίπτωση αμφιβολιών σχετικά με την εγκατάσταση, επικοινωνήστε μαζί μας στο <https://tedee.com/get-> ή απευθυνθείτε στον τοπικό επαγγελματία ηλεκτρολόγο.

Ούτε η Tedee Sp. z o.o., ούτε οι λιανοπωλητές μας είναι υπεύθυνοι για τυχόν ζημιές οποιουδήποτε είδους ή προβλήματα ελέγχου πρόσβασης που προκύπτουν από την ακατάλληλη εγκατάσταση του Tedee Keypad PRO στο οικιακό ηλεκτρικό σύστημα του χρήστη. Τα παραπάνω περιλαμβάνουν τόσο τις ακατάλληλες ενέργειες του ίδιου του χρήστη, όσο και τις ζημιές που προκαλούνται από τρίτους παρόχους υπηρεσιών εγκατάστασης.

ΤΕΧΝΙΚΕΣ ΠΛΗΡΟΦΟΡΙΕΣ

Τεχνικές προδιαγραφές

Μοντέλο
TKV2.0

Παροχή ρεύματος
4 μπαταρίες AAA

Επικοινωνία Bluetooth®
BLE 5.2 2.4GHz

Διαστάσεις
125 x 33 x 23,5 mm

Θερμοκρασία λειτουργίας
από -30°C έως 50°C

Εύρος συχνοτήτων
από 2.4GHz έως 2.483GHz
Μέγιστη ισχύς εξόδου: 8dBm

Υγρασία λειτουργίας
μέγιστο 95%

Συνιστώμενη ρύθμιση
max. 2 μέτρα από την κλειδαριά tedee max. 2 μέτρα από τη γέφυρα tedee

ΝΟΜΙΚΕΣ/ΠΕΡΙΒΑΛΛΟΝΤΙΚΕΣ ΣΗΜΕΙΩΣΕΙΣ

Δήλωση συμμόρφωσης ΕΕ

Η Tedee Sp. z o.o. δηλώνει ότι η ραδιοσυσκευή Tedee Keypad PRO TKV2.0 είναι σύμφωνη με την οδηγία 2014/53/ΕΕ. Το πλήρες κείμενο της δήλωσης συμμόρφωσης ΕΕ είναι διαθέσιμο στην ακόλουθη διεύθυνση στο διαδίκτυο: www.tedee.com/compliance.

WEEE / RoHS

Για να αποφύγετε πιθανές αρνητικές επιπτώσεις στο περιβάλλον, συμβουλευτείτε τους τοπικούς νόμους και κανονισμούς για την ορθή απόρριψη των ηλεκτρονικών συσκευών και των μπαταριών στη χώρα σας. Απόρριψη μπαταριών - εάν η συσκευή tedee περιέχει μπαταρίες, μην τις απορρίψετε μαζί με τα συνηθισμένα οικιακά απορρίμματα. Παραδώστε τις σε μια κατάλληλη εγκατάσταση ανακύκλωσης ή σε ένα σημείο συλλογής.

43





Οι μπαταρίες που χρησιμοποιούνται στις συσκευές tedee δεν περιέχουν υδράργυρο, κάδμιο ή μόλυβδο πάνω από τα επίπεδα που καθορίζονται στην οδηγία 2006/66/EK. Απόρριψη ηλεκτρονικών συσκευών - μην απορρίπτετε τη συσκευή tedee μαζί με τα συνηθισμένα οικιακά απορρίμματα. Παραδώστε την σε μια κατάλληλη εγκατάσταση ανακύκλωσης ή σε ένα σημείο συλλογής.

Bluetooth®

Το λεκτικό σήμα και τα λογότυπα Bluetooth® ανήκουν στην Bluetooth SIG, Inc. και οποιαδήποτε χρήση των εν λόγω σημάτων από την Tedee Sp. z o.o. γίνεται με άδεια χρήσης. Άλλα εμπορικά σήματα και εμπορικές ονομασίες είναι των αντίστοιχων κατόχων τους.

Τα Google, Android και Google Play είναι εμπορικά σήματα της Google LLC.

Η Apple και το App Store είναι εμπορικά σήματα της Apple Inc. Το IOS είναι εμπορικό σήμα ή σήμα κατατεθέν της Cisco στις ΗΠΑ και σε άλλες χώρες και χρησιμοποιείται με άδεια χρήσης.

HR: SIGURNOSNE INFORMACIJE

SIGURNOSNE SMJERNICE / UPOZORENJA ZA BATERIJE

Set Tedee tipkovnice na baterije uključuje baterije koje se ne mogu puniti i koje korisnik ne može servisirati.

nemojte

- Ne punite baterije koje se ne mogu puniti.
- Nemojte rastavljati, bušiti, modificirati, ispuštati, bacati niti izazivati druge nepotrebne udare na baterije.
- Nemojte ostavljati niti skladištiti baterije na vrućim mjestima kao što je blizu pećnice, štednjaka, izravne sunčeve svjetlosti ili drugog izvora topline.
- Nemojte stavljati baterije u mikrovalnu pećnicu ili bilo koju drugu posudu pod 44

visokim pritiskom.

- Nemojte uranjati baterije u tekućine niti dopustiti da dođu u kontakt s tekućinama.
- Nemojte kratko spojati baterije.
- Ne koristite baterije koje izgledaju kao da cure, koje su promijenile boju, zahrđale, deformirane; emitirati miris; ili su na drugi način nenormalni.
- Ne dirajte baterije koje cure.
- Ne miješajte stare i nove baterije.
- Ne nastavljajte puniti baterije duže od navedenog vremena.
- Držite baterije podalje od djece mlađe od 3 godine. Ako ih progutaju, odmah se obratite lokalnoj medicinskoj pomoći.

PREPORUČENE BATERIJE

Kako biste napajali svoj Keypad PRO, trebate koristiti 4 AAA baterije. Dopušta samo korištenje AAA baterija od 1,5V (LR03).

UPOZORENJE:

Opasnost od trajnog oštećenja uređaja i gubitka jamstva ako su ugrađene baterije s radnim naponom većim od 1,5V!

- Umetnite nove baterije ispravno, slijedeći simbole za postavljanje pozitivnog (+) i negativnog (-) kraja svake baterije. Ne mijenjajte polaritet baterije.
- Čuvajte baterije na hladnom i suhom mjestu na normalnoj sobnoj temperaturi.
- Odvojite, reciklirajte i odložite baterije u skladu s lokalnim propisima. Za više informacija obratite se lokalnim vlastima.
- Priložene baterije koristite na radnoj temperaturi od -20 do +54° C, a čuvajte ih na temperaturi od -30 do +45°C. Prekoračenje ovih raspona može dovesti do oštećenja, gubitka svojstava, curenja ili eksplozije baterije. Gore navedeni temperaturni rasponi mogu varirati ovisno o proizvođaču baterije.
- Prilikom zamjene baterija u uređaju koristite samo jednu vrstu baterija (nemojte miješati).





Ostale informacije

- Uređaje i njihove dodatke zbrinite u skladu s lokalnim propisima. Ako je moguće, reciklirajte.
- Ne odlažite uređaj kao kućni otpad i ne spaljujte ga.
- Ovaj je uređaj siguran za korištenje pod normalnim i razumno predvidivim operativnim kodeksom ponašanja. Ako primijetite bilo kakve znakove greške ili neispravnosti hardvera, obratite se tehničkoj podršci tedee za pomoć. U tom slučaju ovaj uređaj treba vratiti tedeeju na potrebne popravke pod uvjetima jamstva. Sve promjene ili modifikacije hardvera ili softvera uređaja koje nije odobrio, preporučio ili dostavio tedee mogu poništiti vaše jamstvo.
- Ovaj uređaj zahtijeva izvor napajanja i Bluetooth(R) vezu za ispravan rad i može zahtijevati internetsku vezu za korištenje nekih njegovih značajki. Proizvođač nije odgovoran za moguće probleme s pristupom prostoriji koji proizlaze iz nedostatka pristupa internetu ili kvara ili iscrpljenosti izvora napajanja.
- Ovaj uređaj nije namijenjen za korištenje kao dio kućnog sigurnosnog sustava. Proizvođač ne deklarira nikakva protuprovalna svojstva niti ateste, certifikate ili klase protuprovalne zaštite za uređaj. Proizvođač ne snosi odgovornost za bilo kakvu moguću štetu/ozljedu nastalu krađom, provalom ili upadom koji proizlazi iz oštećenja, svladavanja ili neovlaštenog preuzimanja kontrole nad uređajem.
- Ovaj uređaj može zahtijevati kupnju dodatnih proizvoda kako bi se omogućile neke njegove značajke. Ako ste u nedoumici, obratite se podršci za Tedee .
- Ovaj uređaj može zahtijevati obradu osjetljivih osobnih podataka, kao što su biometrijski podaci, za pristup nekim njegovim funkcijama. Takva je obrada u potpunosti dobrovoljna i provodi se na temelju izričitog pristanka korisnika koji se može povući u bilo kojem trenutku.
- Ni Tedee Sp. z oo , niti naši prodavači nisu odgovorni za nepridržavanje gore navedenih upozorenja i sigurnosnih smjernica. Kupnjom ovog uređaja kupac prihvaća sve rizike povezane s korištenjem tedee opreme. Ako se ne slažete s ovim uvjetima, vratite uređaj proizvođaču ili distributeru prije uporabe.

Održavanje

- Izvadite baterije iz uređaja prije čišćenja. Nemojte koristiti maziva, sredstva za čišćenje, sredstva za poliranje ili osvježivače zraka na bilo kojem dijelu uređaja. Obrišite ga samo suhom krpom.
- Ako se utvrdi da su kućište uređaja ili tipkovnica istrošeni do te mjere da je ugrožen integritet kućišta, obratite se tehničkoj podršci tedee .

PRIKLJUČAK NA KUĆNI ELEKTRIČNI SUSTAV

Dok spajate svoj Keypad PRO na kućni električni sustav:

- 1) Uvijek izvodite sve radove instalacije s isključenim strujnim krugom (isključite utikače).
- 2) Instalirajte uređaj pomoću strujnog kruga DC 5-24V. NIKADA ne uključujte uređaj izravno u električnu utičnicu ili izvor napajanja od 230V/110V. Veliki rizik od strujnog udara ili požara i tjelesnih ozljeda, ako se zanemari.
- 3) Uvjerite se da se Keypad PRO također napaja s preporučenim 4xAAA baterijama, u slučaju mogućih nestanaka struje koji inače mogu ograničiti vaš pristup prostorijama.
- 4) U slučaju bilo kakvih nedoumica u vezi s instalacijom, obratite nam se na <https://tedee.com/get-support> ili se obratite lokalnom profesionalnom električaru.

Ni Tedee Sp. z oo , niti naši trgovci na malo nisu odgovorni za bilo kakvu moguću štetu bilo koje vrste ili probleme s kontrolom pristupa koji proizlaze iz nepravilne instalacije Tedee Keypad PRO u kućni električni sustav korisnika. Gore navedeno uključuje i vlastite nepropisne radnje korisnika, kao i štete uzrokovane od strane pružatelja usluga instalacije trećih strana.





TEHNIČKE INFORMACIJE

Tehničke specifikacije

Model
TKV2.0

Napajanje
4 AAA baterije

Bluetooth® komunikacija
BLE 5.2 2,4 GHz

Dimenzije
125 x 33 x 23,5 mm

Radna temperatura
od -30°C do 50°C

Frekvencijski raspon
od 2,4 GHz do 2,483 GHz
maksimalna izlazna snaga: 8 dBm

radna vlažnost
95%

Preporučeno postavljanje
max. 2 metra od tedee brave max. 2 metra od tedee mosta

46

PRAVNE / EKOLOŠKE NAPOMENE

EU izjava o sukladnosti

Tedee Sp. z oo ovime izjavljuje da je radio uređaj Tedee Keypad PRO TKV2.0 u skladu s Direktivom 2014/53/EU. Potpuni tekst EU Izjave o sukladnosti dostupan je na sljedećoj internet adresi: www.tedee.com/compliance.

WEEE / RoHS

Kako biste spriječili mogući negativni utjecaj na okoliš, konzultirajte svoje lokalne zakone i propise za pravilno odlaganje elektroničkih uređaja i baterija u vašoj zemlji. Odlaganje baterija – ako vaš tedee uređaj sadrži baterije, nemojte ih odlagati s običnim kućnim otpadom. Predajte ih odgovarajućem objektu za recikliranje ili sabirnom mjestu. Baterije koje se koriste u tedee uređajima ne sadrže živu, kadmij ili olovo iznad razina navedenih u Direktivi 2006/66/EC. Zbrinjavanje elektronike - nemojte odlagati svoj tedee uređaj s običnim kućnim otpadom. Predajte ga odgovarajućem objektu za recikliranje ili sabirnom mjestu.

Bluetooth®

Riječni znak i logotipi Bluetooth® vlasništvo su Bluetooth SIG, Inc. i svaka upotreba takvih znakova od strane Tedee Sp. z oo je pod licencom . Ostali zaštitni znakovi i trgovačka imena pripadaju njihovim vlasnicima.

Google, Android i Google Play zaštitni su znakovi tvrtke Google LLC.

Apple i App Store zaštitni su znakovi tvrtke Apple Inc. IOS je zaštitni znak ili registrirani zaštitni znak tvrtke Cisco u SAD-u i drugim zemljama i koristi se pod licencom.





HU: BIZTONSÁGI INFORMÁCIÓ

AZ AKKUMULÁTORRAL KAPCSOLATOS BIZTONSÁGI IRÁNYELVEK / FIGYELMEZTETÉSEK

Az elemes Tedee billentyűzetkészlet nem újratölthető és a felhasználó által nem szervizelhető akkumulátorokat tartalmaz.

Nem

- Ne töltsön nem újratölthető elemeket.
- Ne szerelje szét, ne szűrje ki, módosítsa, ejtse le, dobja ki, és ne okozzon egyéb szükségtelen ütések az akkumulátorokon.
- Ne hagyja vagy tárolja az elemeket forró helyen, például sütő, tűzhely, közvetlen napfény vagy más hőforrás közelében.
- Ne helyezze az elemeket mikrohullámú sütőbe vagy más nagy nyomású edénybe.
- Ne merítse az elemeket folyadékba, és ne engedje, hogy folyadékokkal érintkezzenek.
- Ne zárja rövidre az elemeket.
- Ne használjon szivárgónak, elszíneződöttnek, rozsdásnak vagy deformálódottnak tűnő elemeket; szagot bocsátanak ki; vagy egyéb módon károsak.
- Ne érintse meg a szivárgó elemeket.
- Ne használjon együtt régi és új elemeket.
- Ne töltsen tovább az akkumulátorokat a megadott időnél tovább.
- Tartsa távol az elemeket 3 év alatti gyermekektől. Lenyelés esetén azonnal forduljon a helyi orvoshoz.

AJÁNLOTT AKKUMULÁTOROK

A Keypad PRO áramellátásához 4 db AAA elemet kell használnia. Csak 1,5 V-os AAA (LR03) elemek használatát engedélyezzük.

FIGYELMEZTETÉS:

1,5V-nál nagyobb üzemi feszültségű akkumulátorok beszerelése esetén fennáll a készülék maradandó károsodásának és a garancia elvesztésének veszélye!

- Helyezze be megfelelően az új elemeket, kövesse az egyes elemek pozitív (+) és negatív (-) végét jelző szimbólumokat. Ne cserélje fel az akkumulátor polaritását.
- Az elemeket hűvös, száraz helyen, normál szobahőmérsékleten tárolja.
- Az elemeket a helyi előírásoknak megfelelően szelektíve, újrahasznosítsa és ártalmatlanítsa. További információért forduljon a helyi hatósághoz.
- A mellékelt elemeket -20 és +54°C közötti üzemi hőmérsékleten használja, és -30 és +45°C közötti hőmérsékleten tárolja. Ezen tartományok túllépése az akkumulátor károsodását, tulajdonságainak elvesztését, szivárgását vagy fellobbanását okozhatja. A fenti hőmérsékleti tartományok az akkumulátor gyártójától függően változhatnak.
- Amikor elemet cserél a készülékben, csak egyfajta elemet használjon (ne keverje össze).

Egyéb információ

- A készülékeket és tartozékait a helyi előírásoknak megfelelően semmisítse meg. Ha lehetséges, hasznosítsa újra.
- Ne dobja a készüléket a háztartási hulladék közé, és ne égesse el.
- Ez az eszköz biztonságosan használható a normál és ésszerűen előrelátható helytelen használat magatartási kódexének megfelelően. Ha hibákra vagy hardverhibákra utaló jeleket észlel, forduljon segítségért a Tedee műszaki ügyfélszolgálatához. Ebben az esetben a készüléket a garanciális feltételek mellett vissza kell juttatni a Tedee- hez a szükséges javítások elvégzésére. Az eszköz hardverén vagy szoftverén végzett bármilyen változtatás vagy módosítás, amelyet a Tedee nem hagyott jóvá, nem ajánlott vagy biztosított, érvénytelenítheti a garanciát.
- Ennek az eszköznek a megfelelő működéséhez áramforrásra és Bluetooth(R) kapcsolatra van szükség, és egyes funkcióinak használatához internetkapcsolatra





is szükség lehet. A gyártó nem vállal felelősséget az internet-hozzáférés hiányából vagy az áramforrás meghibásodásából vagy kimerüléséből adódó esetleges helyiség-hozzáférési problémákért.

- Ez az eszköz nem otthoni biztonsági rendszer részeként való használatra készült. A gyártó semmilyen betörésgátló tulajdonságot vagy tanúsítványt, tanúsítványt vagy betörésvédelmi osztályt nem közöl a készülékkel kapcsolatban. A gyártó nem vállal felelősséget a lopásból, betörésből vagy behatolásból eredő esetleges károkról/sérülésekről, amelyek károsodásból, leküzdésből vagy a készülék feletti irányítás illetéktelen megszerzéséből erednek.
- Előfordulhat, hogy ehhez az eszközhöz további termékek vásárlása szükséges bizonyos funkcióinak használatához. Ha kétségei vannak, forduljon a Tedeo ügyfélszolgálatához.
- Ez az eszköz érzékeny személyes adatok, például biometrikus adatok feldolgozását igényelheti bizonyos funkcióinak eléréséhez. Az ilyen adatkezelés teljes mértékben önkéntes, és a felhasználó kifejezett hozzájárulása alapján történik, amely bármikor visszavonható.
- Sem a Tedeo Sp. z oo, sem viszonteladóink nem felelősek a fenti figyelmeztetések és biztonsági irányelvek be nem tartásáért. A készülék megvásárlásával a vevő elismeri a Tedeo berendezések használatával kapcsolatos minden kockázatot. Ha nem ért egyet ezekkel a feltételekkel, használat előtt küldje vissza a készüléket a gyártónak vagy a forgalmazónak.

Karbantartás

- Tisztítás előtt vegye ki az elemeket a készülékből. Ne használjon kenőanyagot, tisztítószert, fénycsisztót vagy légriszisztót a készülék egyetlen részén sem. Csak száraz ruhával törölje le.
- Ha a készülékház vagy a billentyűzet olyan mértékben elhasználódott, hogy a ház épsége sérül, lépjen kapcsolatba a Tedeo műszaki támogatásával. csatlakozás a háztartási elektromos rendszerhez

48

AMIKOR A KEYPAD PRO-T AZ OTTHONI ELEKTROMOS RENDSZERHEZ CSATLAKOZTATJA:

- 1) A szerelési munkákat mindig kikapcsolt áramkörrel végezze (kapcsolja ki a csatlakozókat).
- 2) Telepítse a készüléket a DC 5-24V tápáramkör használatával. SOHA NE csatlakoztassa a készüléket közvetlenül az elektromos aljzathoz vagy a 230V/110V tápegységhez. Ha figyelmen kívül hagyják, nagy az áramütés vagy tűz és fizikai sérülés veszélye.
- 3) Győződjön meg arról, hogy a Keypad PRO az ajánlott 4xAAA elemekkel is működik, esetleges áramkimaradások esetén, amelyek egyébként korlátozhatják a helyiségek elérését.
- 4) Ha kétségei vannak a telepítéssel kapcsolatban, forduljon hozzánk a <https://tedeo.com/get-support> címen, vagy forduljon a helyi villanyszerelőhöz.

Sem a Tedeo Sp. z oo, sem viszonteladóink nem vállalnak felelősséget a Tedeo Keypad PRO a felhasználó otthoni elektromos rendszerébe történő nem megfelelő telepítéséből eredő esetleges károkról vagy beléptetési problémákról. A fentiek magukban foglalják a felhasználó saját helytelen cselekedeteit, valamint a külső telepítési szolgáltatók által okozott károkat.

MŰSZAKI INFORMÁCIÓK

Műszaki előírások

TKV2.0 modell

Tápellátás
4 db AAA elem





Bluetooth® kommunikáció
BLE 5.2 2.4GHz

Méreték
125 x 33 x 23,5 mm

Működési hőmérséklet
-30°C és 50°C között

Frekvencia tartomány
2,4 GHz és 2,483 GHz közötti
maximális kimeneti teljesítmény: 8 dBm

Üzemi páratartalom
maximum 95%

Javasolt beállítás
max. 2 méterre a tedee zártól max. 2 méterre a Tedee hídtól

JOGI / KÖRNYEZETVÉDELMI MEGJEGYZÉSEK

EU megfeleléségi nyilatkozat

Tedee Sp. z oo ezennel kijelenti, hogy a Tedee Keypad PRO TKV2.0 rádiókészülék megfelel a 2014/53/EU irányelvnek. Az EU Megfeleléségi Nyilatkozat teljes szövege elérhető a következő internetes címen: www.tedee.com/compliance.

WEEE / RoHS

Az esetleges negatív környezeti hatások elkerülése érdekében tájékozódjon a helyi törvényekről és előírásokról az elektronikus eszközök és akkumulátorok megfelelő ártalmatlanítására vonatkozóan az országában. Az elemek ártalmatlanítása – ha a Tedee készüléke elemeket tartalmaz, ne dobja azokat a háztartási hulladék közé.

Adja le őket egy megfelelő újrahasznosító létesítménybe vagy gyűjtőhelyre. A Tedee eszközökben használt akkumulátorok nem tartalmaznak higanyt, kadmiumot vagy ólmot a 2006/66/EK irányelvben meghatározott szint felett. Az elektronikai cikkek ártalmatlanítása - ne dobja ki a tedee készülékét a szokásos háztartási hulladékkal együtt. Adja le egy megfelelő újrahasznosító létesítménybe vagy gyűjtőhelyre.

Bluetooth®

A Bluetooth® szóvédjegy és logó a Bluetooth SIG, Inc. tulajdonát képezik, az ilyen védjegyek bármilyen használata pedig a Tedee Sp. z oo licenc alatt áll. Az egyéb védjegyek és kereskedelmi nevek a megfelelő tulajdonosaik.

A Google, az Android és a Google Play a Google LLC védjegyei.

Az Apple és az App Store az Apple Inc. védjegyei. Az IOS a Cisco védjegye vagy bejegyzett védjegye az Egyesült Államokban és más országokban, és licenc alapján használják.

UA: ІНФОРМАЦІЯ З ТЕХНІКИ БЕЗПЕКИ

ІНСТРУКЦІЯ З ТЕХНІКИ БЕЗПЕКИ / ПОПЕРЕДЖЕННЯ ЩОДО БАТАРЕЇ

Набір клавіатур Tedee з батарейним живленням містить неперезаряджувані батареї, які не підлягають обслуговуванню користувачем.

не треба

- Не заряджайте неперезаряджувані батареї.
- Не розбирайте, не проколюйте, не модифікуйте, не кидайте, не кидайте батареї та не завдавайте їм інших непотрібних ударів.
- Не залишайте та не зберігайте батареї в гарячих місцях, наприклад біля





духовки, плити, під прямими сонячними променями чи іншим джерелом тепла.

- Не кладіть батареї в мікрохвильову піч або в будь-який інший контейнер під високим тиском.
- Не занурюйте батареї в рідини та не допускайте їх контакту з рідинами.
- Не допускайте короткого замикання батарей.
- Не використовуйте батареї, які витікають, знебарвлені, іржаві, деформовані; виділяти запах; або іншим чином є ненормальними.
- Не торкайтеся акумуляторів, що протікають.
- Не змішуйте старі та нові батареї.
- Не продовжуйте заряджати батареї довше зазначеного часу.
- Тримайте батареї подалі від дітей віком до 3 років. У разі проковтування негайно зверніться до місцевої медичної допомоги.

РЕКОМЕНДОВАНІ БАТАРЕЇ

Щоб жити Keypad PRO, потрібно використовувати 4 батареї AAA. Ми дозволяємо використовувати лише батарейки типу AAA 1,5 В (LR03).

УВАГА:

Ризик остаточного пошкодження пристрою та втрати гарантії, якщо встановлено акумулятори з робочою напругою понад 1,5 В!

- Вставляйте нові батареї правильно, дотримуючись символів розташування позитивного (+) і негативного (-) полюсів кожної батареї. Не змінюйте полярність батареї.
- Зберігайте батареї в прохолодному сухому місці за нормальної кімнатної температури.
- Розділяйте, переробляйте та утилізуйте батареї відповідно до місцевих норм. Для отримання додаткової інформації зверніться до місцевих органів влади.
- Використовуйте батареї, що входять у комплект, при робочій температурі

50

від -20 до +54° C, а зберігайте їх при температурі від -30 до +45° C.

Перевищення цих діапазонів може призвести до пошкодження, втрати властивостей, витоків або вибуху батарей. Наведені вище діапазони температур можуть відрізнятися залежно від виробника батарей.

- При заміні батарейок в приладі використовуйте тільки один тип батарей (не змішуйте).

Інша інформація

- Утилізуйте пристрої та їх аксесуари відповідно до місцевих правил. Якщо можливо, переробити.
- Не викидайте пристрій як побутові відходи та не спалюйте його.
- Цей пристрій є безпечним для використання за умов нормального та розумно передбачуваного неправильного використання. Якщо ви помітили будь-які ознаки помилок або несправності апаратного забезпечення, зверніться по допомогу до служби технічної підтримки tedee . У такому випадку цей пристрій слід повернути Tedee для необхідного ремонту згідно з умовами гарантії. Будь-які зміни або модифікації апаратного чи програмного забезпечення пристрою, які не схвалені, рекомендовані або надані tedee, можуть призвести до втрати гарантії.
- Для належної роботи цього пристрою потрібне джерело живлення та підключення Bluetooth(R), а для використання деяких його функцій може знадобитися підключення до Інтернету. Виробник не несе відповідальності за потенційні проблеми з доступом до приміщення, спричинені відсутністю доступу до Інтернету або несправністю чи вичерпанням джерела живлення.
- Цей пристрій не призначений для використання як частини домашньої системи безпеки. Виробник не декларує жодних протизламних властивостей чи атестацій, сертифікатів чи класів протизламного захисту пристрою. Виробник не несе відповідальності за будь-який потенційний збиток/травму, отриману внаслідок крадіжки, злому або проникнення внаслідок пошкодження, подолання або несанкціонованого отримання контролю над пристроєм.
- Для використання деяких функцій цього пристрою може знадобитися





придбати додаткові продукти. Якщо ви сумніваєтеся, зверніться до служби підтримки tedee .

- Цей пристрій може вимагати обробки конфіденційних персональних даних, наприклад біометричних даних, для доступу до деяких його функцій. Така обробка є цілком добровільною та здійснюється на підставі явної згоди користувача, яку можна відкликати в будь-який час.
- Ні Tedee Sp. z oo , ані наші продавці не несуть відповідальності за недотримання наведених вище попереджень і вказівок з безпеки. Купуючи цей пристрій, покупець визнає всі ризики, пов'язані з використанням обладнання Tedee . Якщо ви не згодні з цими умовами, поверніть пристрій виробнику або дистриб'ютору перед використанням.

Технічне обслуговування

- Вийміть батареї з пристрою перед чищенням. Не використовуйте будь-які мастила, засоби для чищення, поліролі чи освіжувачі повітря на будь-якій частині пристрою. Протирайте його лише сухою тканиною.
- Якщо виявлено, що корпус пристрою або клавіатура зношені настільки, що цілісність корпусу порушена, зверніться до служби технічної підтримки tedee .

ПІДКЛЮЧЕННЯ ДО ДОМАШНЬОЇ ЕЛЕКТРОМЕРЕЖІ

Під час підключення Keypad PRO до домашньої електромережі:

- 1) Завжди виконуйте будь-які монтажні роботи з вимкненою схемою живлення (вимкніть вилки).
- 2) Встановіть пристрій за допомогою схеми живлення постійного струму 5-24 В. НІКОЛИ не підключайте пристрій безпосередньо до електричної розетки або джерела живлення 230 В/110 В. Високий ризик ураження електричним струмом або пожежі та тілесних ушкоджень, якщо їх ігнорувати.
- 3) Переконайтеся, що Keypad PRO також живиться від рекомендованих

батарейок 4xAAA на випадок можливих відключень електроенергії, які інакше можуть обмежити ваш доступ до приміщень.

4) У разі будь-яких сумнівів щодо встановлення зв'яжіться з нами за адресою <https://tedee.com/get-support> або зверніться до місцевого професійного електрика.

Ні Tedee Sp. z oo , ані наші роздрібні продавці не несуть відповідальності за будь-які потенційні збитки будь-якого роду або проблеми з контролем доступу, спричинені неправильним встановленням Tedee Keypad PRO до домашньої електричної системи користувача. Вищевказане стосується як власних неналежних дій користувача, так і збитків, завданих сторонніми постачальниками послуг встановлення.

ТЕХНІЧНА ІНФОРМАЦІЯ

Технічні характеристики

Модель
TKB2.0

Живлення
4 батарейки AAA

Зв'язок Bluetooth®
BLE 5.2 2,4 ГГц

Розміри
125 x 33 x 23,5 мм

Робоча температура
від -30°C до 50°C
Діапазон частот





від 2,4 ГГц до 2,483 ГГц
Максимальна вихідна потужність: 8 дБм

Робоча вологість
максимум 95%

Рекомендоване налаштування
макс. 2 метри від замка Tedeo макс. 2 метри від мосту Tedy

ЮРИДИЧНІ/ЕКОЛОГІЧНІ ПРИМІТКИ

Декларація відповідності ЄС

Tedeo Sp. z оо цим заявляє, що радіопристрій Tedeo Keypad PRO TKV2.0 відповідає Директиві 2014/53/EU. Повний текст Декларації відповідності ЄС доступний за такою адресою в Інтернеті: www.tedeo.com/compliance.

WEEE / RoHS

Щоб запобігти потенційному негативному впливу на навколишнє середовище, зверніться до місцевих законів і правил щодо належної утилізації електронних пристроїв і батарей у вашій країні. Утилізація батарей – якщо ваш пристрій Tedeo містить батареї, не викидайте їх зі звичайними побутовими відходами. Здайте їх на відповідний пункт переробки або в пункт збору. Батареї, що використовуються в пристроях tedeo , не містять ртуті, кадмію або свинцю, що перевищує рівень , визначений у Директиві 2006/66/EC. Утилізація електроніки - не викидайте пристрій Tedeo разом зі звичайними побутовими відходами. Здайте його на відповідний пункт переробки або в пункт збору.

Bluetooth®

Словесний знак і логотипи Bluetooth® належать Bluetooth SIG, Inc., і будь-яке використання таких знаків Tedeo Sp. z оо знаходиться за ліцензією . Інші

52

торгові марки та торгові назви належать їхнім відповідним власникам.

Google, Android і Google Play є товарними знаками Google LLC.

Apple і App Store є товарними знаками Apple Inc. IOS є товарним знаком або зареєстрованим товарним знаком Cisco в США та інших країнах і використовується за ліцензією.

RU: ИНФОРМАЦИЯ ПО ТЕХНИКЕ БЕЗОПАСНОСТИ

РЕКОМЕНДАЦИИ/ПРЕДУПРЕЖДЕНИЯ ПО ТЕХНИКЕ БЕЗОПАСНОСТИ ПРИ РАБОТЕ С АККУМУЛЯТОРОМ

В комплект клавиатуры Tedeo с батарейным питанием входят непerezаряжаемые и необслуживаемые пользователем батареи.

Не

- Не заряжайте непerezаряжаемые батареи.
- Не разбирайте, не прокальвайте, не модифицируйте, не роняйте, не бросайте и не подвергайте аккумуляторы другим ненужным ударам.
- Не оставляйте и не храните батареи в местах с высокой температурой, например, рядом с духовкой, плитой, под прямыми солнечными лучами или другими источниками тепла.
- Не помещайте батареи в микроволновую печь или в любой другой контейнер под высоким давлением.
- Не погружайте батареи в жидкости и не допускайте их контакта с жидкостями.
- Не допускайте короткого замыкания батарей.
- Не используйте батарейки, которые выглядят протекающими, обесцвеченными, ржавыми или деформированными; испускать запах; или иным образом являются ненормальными.
- Не прикасайтесь к потекшим батареям.





- Не смешивайте старые и новые батарейки.
- Не продолжайте заряжать батареи дольше указанного времени.
- Храните батарейки в недоступном для детей младше 3 лет месте. При проглатывании немедленно обратитесь за медицинской помощью.

РЕКОМЕНДУЕМЫЕ БАТАРЕИ

Для питания клавиатуры Keypad PRO необходимо использовать 4 батарейки типа AAA. Мы разрешаем использовать только батарейки типа AAA напряжением 1,5 В (LR03).

ПРЕДУПРЕЖДЕНИЕ:

Риск необратимого повреждения устройства и потери гарантии в случае установки батарей с рабочим напряжением более 1,5 В!

- Вставляйте новые батарейки правильно, следуя символам расположения положительного (+) и отрицательного (-) концов каждой батареи. Не меняйте полярность батареи.
- Храните аккумуляторы в сухом прохладном месте при нормальной комнатной температуре.
- Разделяйте, перерабатывайте и утилизируйте батареи в соответствии с местными правилами. Для получения дополнительной информации обратитесь в местные органы власти.
- Используйте прилагаемые батарейки при рабочей температуре от -20 до +54° С и храните их при температуре от -30 до +45°С. Превышение этих диапазонов может привести к повреждению, потере свойств, утечке или взрыву батареи. Вышеуказанные диапазоны температур могут различаться в зависимости от производителя аккумулятора.
- При замене батареек в устройстве используйте батарейки только одного типа (не смешивайте).

Другая информация

- Утилизируйте устройства и их аксессуары в соответствии с местными правилами. Если есть возможность, сдайте на переработку.
- Не выбрасывайте устройство как бытовой мусор и не сжигайте его.
- Данное устройство безопасно использовать в соответствии с нормами и правилами поведения при нормальном и разумно предсказуемом неправильном использовании. Если вы заметили какие-либо признаки ошибок или неисправности оборудования, обратитесь за помощью в службу технической поддержки tedeo . В таком случае данное устройство следует вернуть в компанию tedeo для необходимого ремонта на условиях гарантии. Любые изменения или модификации аппаратного или программного обеспечения устройства, которые не одобрены, не рекомендованы или не предоставлены tedeo , могут привести к аннулированию вашей гарантии.
- Для правильной работы этого устройства требуется источник питания и соединение Bluetooth(R), а для использования некоторых функций может потребоваться подключение к Интернету. Производитель не несет ответственности за потенциальные проблемы с доступом в помещение, возникающие из-за отсутствия доступа в Интернет, сбоя или исчерпания источника питания.
- Данное устройство не предназначено для использования в составе домашней системы безопасности. Производитель не декларирует какие-либо противозлозные свойства, аттестации, сертификаты или классы противозлозной защиты устройства. Производитель не несет ответственности за любой потенциальный ущерб/травмы, полученные в результате кражи, взлома или проникновения в результате повреждения, взлома или несанкционированного получения контроля над устройством.
- Для использования некоторых функций этого устройства может потребоваться приобретение дополнительных продуктов. Если у вас есть сомнения, обратитесь в службу поддержки tedeo .
- Для доступа к некоторым функциям этого устройства может потребоваться обработка конфиденциальных персональных данных,





например биометрических данных. Такая обработка является полностью добровольной и осуществляется на основании явного согласия пользователя, которое может быть отозвано в любое время.

- Ни компания Tedeo Sp. z oo , ни наши розничные продавцы не несут ответственности за несоблюдение вышеуказанных предупреждений и правил техники безопасности. Приобретая данное устройство, покупатель признает все риски, связанные с использованием оборудования tedeo . Если вы не согласны с этими условиями, перед использованием верните устройство производителю или дистрибьютору.

Обслуживание

- Перед чисткой извлеките батареи из устройства. Не используйте смазочные материалы, чистящие средства, полироли или освежители воздуха для очистки каких-либо частей устройства. Протирайте его только сухой тканью.
- Если корпус устройства или клавиатура изношены до такой степени, что целостность корпуса нарушена, обратитесь в службу технической поддержки tedeo .

ПОДКЛЮЧЕНИЕ К БЫТОВОЙ ЭЛЕКТРОСЕТИ

При подключении Keypad PRO к домашней электрической системе:

- 1) Всегда выполняйте любые работы по установке при отключенном питании (выключив вилки).
- 2) Установите устройство, используя схему питания 5–24 В постоянного тока. НИКОГДА не подключайте устройство напрямую к электрической розетке или источнику питания 230/110 В. При игнорировании высокий риск поражения электрическим током, возгорания и телесных повреждений.
- 3) Убедитесь, что Keypad PRO также питается от рекомендованных батареек

54

типа 4xAAA на случай возможных перебоев в подаче электроэнергии, которые в противном случае могут ограничить вашу возможность доступа в помещения.

- 4) В случае возникновения каких-либо сомнений относительно установки свяжитесь с нами по адресу <https://tedeo.com/get-support> или обратитесь к местному профессиональному электрику.

Ни компания Tedeo Sp. z oo , а также наши розничные продавцы не несут ответственности за любой потенциальный ущерб или проблемы с контролем доступа, возникшие в результате неправильной установки Tedeo Keypad PRO в домашнюю электрическую систему пользователя. Вышеупомянутое включает как собственные неправомерные действия пользователя, так и ущерб, причиненный сторонними поставщиками услуг по установке.

ТЕХНИЧЕСКАЯ ИНФОРМАЦИЯ

Технические характеристики

Модель
TKB2.0

Питание
4 батарейки AAA.

Связь Bluetooth®
BLE 5.2 2,4 ГГц

Размеры
125 x 33 x 23,5 мм.

Рабочая температура
от -30°C до 50°C





Диапазон частот
от 2,4 ГГц до 2,483 ГГц.
Максимальная выходная мощность: 8 дБм.

Рабочая влажность
максимум 95%

Рекомендуемая установка
макс. 2 метра от замка Теди макс. 2 метра от моста Теди

ЮРИДИЧЕСКИЕ/ЭКОЛОГИЧЕСКИЕ ЗАМЕЧАНИЯ

Декларация соответствия ЕС

Теди СП. з оо настоящим заявляет, что радиоустройство Tedee Keypad PRO TKV2.0 соответствует Директиве 2014/53/EU. Полный текст Декларации соответствия ЕС доступен по следующему интернет-адресу: www.tedee.com/compliance.

WEEE/RoHS

Чтобы предотвратить потенциальное негативное воздействие на окружающую среду, ознакомьтесь с местными законами и правилами по правильной утилизации электронных устройств и батарей в вашей стране. Утилизация батареек – если в вашем устройстве tedee есть батарейки, не выбрасывайте их вместе с бытовыми отходами. Сдайте их в соответствующий пункт переработки или в пункт сбора. Батареи, используемые в устройствах tedee, не содержат ртути, кадмия или свинца в количествах, превышающих уровни, указанные в Директиве 2006/66/ЕС. Утилизация электроники – не выбрасывайте устройство tedee вместе с обычными бытовыми отходами. Сдайте его в соответствующий пункт переработки или в пункт сбора.

Bluetooth®

Словесный знак и логотипы Bluetooth® принадлежат Bluetooth SIG, Inc., и любое использование таких знаков компанией Tedee Sp. z оо действует по лицензии. Прочие товарные знаки и торговые наименования принадлежат их соответствующим владельцам.

Google, Android и Google Play являются товарными знаками Google LLC.

Apple и App Store являются товарными знаками Apple Inc. IOS является товарным знаком или зарегистрированным товарным знаком Cisco в США и других странах и используется по лицензии.

ET: OHUTUSTEAVE

AKU OHUTUSJUHISED/HOIAUSED

Akutoitel Tedee klahvistiku komplekt sisaldab mittelaeatavaid ja kasutaja poolt hooldamatuid akusid.

Ärge tehke

- Ärge laadige mittelaeatavaid akusid.
- Ärge võtke akusid lahti, torgake läbi, muutke, pillake maha, visake ega põhjusta akudele muid tarbetuid lööke.
- Ärge jätke ega hoidke akusid kuumas kohas, näiteks ahju, pliidi, otsese päikesevalguse või muu soojusallika läheduses.
- Ärge asetage patareisid mikrolaineahju ega muusse kõrgsurveanumasse.
- Ärge kastke akusid vedelikesse ega laske neil vedelikega kokku puutuda.
- Ärge lühistage akusid.
- Ärge kasutage patareisid, mis näivad lekkivat, värvi muutnud, roostes või deformeerunud; eraldab lõhna; või on muul viisil ebanormaalsed.
- Ärge puudutage lekkivaid patareisid.





- Ärge segage vanu ja uusi patareisid.
- Ärge jätkake akude laadimist kauem kui määratud aeg.
- Hoidke patareisid alla 3-aastaste laste käeulatuses eemal. Allaneelamise korral võtke kohe ühendust kohaliku arstiabiga.

SOOVITATAVAD AKUD

Keypad PRO toiteks peate kasutama 4 AAA patareisid. Lubame kasutada ainult 1,5 V (LR03) AAA patareisid.

HOIATUS:

Üle 1,5V tööpingega akude paigaldamisel tekib seadme püsiva kahjustumise ja garantii kaotamise oht!

- Sisestage uued patareisid õigesti, järgides iga patarei positiivse (+) ja negatiivse (-) otsa paigutamise sümboleid. Ärge muutke patarei polaarsust.
- Hoidke patareisid jahedas ja kuivas kohas normaalsel toatemperatuuril.
- Eraldage, taaskasutage ja visake akud ära vastavalt kohalikele eeskirjadele. Lisateabe saamiseks võtke ühendust kohaliku omavalitsusega.
- Kasutage kaasasolevaid patareisid töötemperatuuril -20 kuni +54° C ja hoidke neid temperatuuril -30 kuni +45°C. Nende vahemike ületamine võib põhjustada aku kahjustusi, omaduste kadumist, lekkimist või plahvatust. Ülaltoodud temperatuurivahemikud võivad olenevalt aku tootjast erineda.
- Seadmes patareide vahetamisel kasutage ainult ühte tüüpi patareisid (ärge segage).

Muu teave

- Kõrvaldage seadmed ja nende tarvikud vastavalt kohalikele eeskirjadele. Võimalusel taaskasutage.
- Ärge visake seadet olmeprügi hulka ega põletage seda.
- Seda seadet on tavapärase ja mõistlikult prognoositava väärkasutuse

56

käitumisjuhendi kohaselt ohutu kasutada. Kui märkate tõrkeid või riistvara rikkeid, võtke abi saamiseks ühendust Tedee tehnilise toega. Sellisel juhul tuleks see seade garantiitingimuste kohaselt tagastada Tedeele vajalike remonditööde tegemiseks. Mis tahes muudatused või modifikatsioonid seadme riist- või tarkvaras, mida tedee ei ole heaks kiitnud, soovitanud või pakutud, võivad teie garantii kehtetuks muuta.

- See seade vajab õigeks tööks toiteallikat ja Bluetooth(R)-ühendust ning mõne funktsiooni kasutamiseks võib vaja minna Interneti-ühendust. Tootja ei vastuta võimalike ruumi juurdepääsuprobleemide eest, mis tulenevad Interneti-ühenduse puudumisest või toiteallika rikkest või ammendumist.
- See seade ei ole mõeldud kasutamiseks koduvalvesüsteemi osana. Tootja ei deklareeri seadmele mingeid sissemurdmisvastaseid omadusi ega kinnitusi, sertifikaate ega sissemurdmisvastase kaitse klasse. Tootja ei vastuta võimalike kahjustuste/vigastuste eest, mis on põhjustatud vargusest, sissemurdmisest või sissetungimisest, mis on tingitud seadme kahjustusest, ülesamisest või võlitamata kontrolli saavutamisest.
- See seade võib mõne funktsiooni kasutamiseks vajada täiendavate toodete ostmist. Kui kahtlete, võtke ühendust Tedee toega.
- See seade võib teatud funktsioonidele juurdepääsuks nõuda tundlike isikuandmete (nt biomeetriliste andmete) töötlemist. Selline töötlemine on täiesti vabatahtlik ja toimub kasutaja selgesõnalise nõusoleku alusel, mille saab igal ajal tagasi võtta.
- Kumbki Tedee Sp. z oo, ega meie jaemüüjad vastuta ülaltoodud hoiatuste ja ohutusjuhiste mittejärgimise eest. Selle seadme ostmisel tunnistab ostja kõiki Tedee seadmete kasutamiseiga seotud riske. Kui te nende tingimustega ei nõustu, tagastage seade enne kasutamist tootjale või edasimüüjale.

Hooldus

- Enne puhastamist eemaldage seadme patareisid. Ärge kasutage seadme üheski osas määrdeaineid, puhastusvahendeid, poleeraineid ega õhuvärskendajaid. Pühkige seda ainult kuiva lapiga.
- Kui avastatakse, et seadme korpus või klahvistik on nii kulunud, et korpuse





terviklikkus on kahjustatud, võtke ühendust Tedee tehnilise toega.

LIITUMINE KODU ELEKTRISÜSTEEMIGA

Kui ühendate Keypad PRO kodu elektrisüsteemiga:

- 1) Tehke kõik paigaldustööd alati väljalülitatud toiteahelaga (lülitage pistikud välja).
- 2) Paigaldage seade, kasutades DC 5-24V toiteahelat. ÄRGE kunagi ühendage seadet otse pistikupessa või 230V/110V toiteallikaga. Suur elektrilöögi või tulekahju oht ja kehavigastused, kui seda eiratakse.
- 3) Veenduge, et Keypad PRO oleks toidetud ka soovitatavate 4xAAA patareidega, kui tegemist on võimalike voolukatkestustega, mis võivad muidu piirata teie ruumidele juurdepääsu.
- 4) Kui teil on paigaldamisega seotud kahtlusi, võtke meiega ühendust aadressil <https://tedee.com/get-support> või võtke ühendust kohaliku professionaalse elektrikuga.

Kumbki Tedee Sp. z oo, ega meie jaemüüjad vastuta mis tahes võimalike kahjude või juurdepääsukontrolli probleemide eest, mis tulenevad Tedee Keypad PRO ebaõigest paigaldamisest kasutaja kodu elektrisüsteemi. Ülaltoodud hõlmab nii kasutaja enda ebaõigeid tegevusi kui ka kolmandatest osapooltest paigaldusteoste pakkujate tekitatud kahjusid.

TEHNILINE TEAVE

Tehnilised näitajad

Mudel
TKV2.0
Toiteallikas

4 AAA patareid

Bluetooth® side
BLE 5.2 2.4GHz

Möödud
125 x 33 x 23,5 mm

Töötemperatuur
-30°C kuni 50°C

Sagedusvahemik
2,4 GHz kuni 2,483 GHz
maksimaalne väljundvõimsus: 8 dBm

tööniiskus
95%

Soovitatav seadistus
max. 2 meetrit teelukust max. Tedee sillast 2 meetrit

JURIIDILISED / KESKKONNAALASED MÄRKUSED

EL-i vastavusdeklaratsioon

Tedee Sp. z oo kinnitab käesolevaga, et Tedee Keypad PRO TKV2.0 raadioseade on kooskõlas direktiiviga 2014/53/EL. EL-i vastavusdeklaratsiooni täistekst on saadaval järgmisel Interneti-aadressil: www.tedee.com/compliance.

WEEE / RoHS

Võimalike negatiivsete keskkonnamõjude vältimiseks tutvuge kohalike seaduste ja määrustega, kuidas elektroonikaseadmeid ja akusid oma riigis kõrvaldada.





Patareide utiliseerimine – kui teie Tedee seade sisaldab patareisid, ärge visake neid tavaliste olmejäätmete hulka. Andke need üle vastavasse taaskasutuskohta või kogumispunkti. Tedee seadmetes kasutatavad akud ei sisalda elavhõbedat, kaadmiumi ega pliid üle 2006/66/EÜ direktiivis sätestatud taseme. Elektroonika utiliseerimine – ärge visake oma Tedee seadet tavaliste olmejäätmete hulka. Andke see üle vastavasse taaskasutuskohta või kogumispunkti.

Bluetooth®

Bluetooth®-i sõnamärk ja logod kuuluvad ettevõttele Bluetooth SIG, Inc. ja selliste märkide kasutamine Tedee Sp. z oo on litsentsi all. Muud kaubamärgid ja kaubanimed on nende vastavate omanike omad.

Google, Android ja Google Play on Google LLC kaubamärgid.

Apple ja App Store on ettevõtte Apple Inc kaubamärgid. IOS on Cisco kaubamärk või registreeritud kaubamärk USA-s ja teistes riikides ning seda kasutatakse litsentsi alusel.

LT: SAUGOS INFORMACIJA

AKUMULIATORIŲ SAUGOS NURODYMAI / ĮSPĖJIMAI

Baterija maitinamą Tedee klaviatūros rinkinį sudaro neįkraunamos ir naudotojo netvarkomos baterijos.

Negalima

- Nekraukite neįkraunamų baterijų.
- Neardykite, nepradurkite, nemodifikuokite, nemeskite, nemėtykite ir nesukelkite kitų nereikalingų smūgių.
- Nepalikite ir nelaikykite baterijų karštosiose vietose, pvz., šalia orkaitės, viryklės, tiesioginių saulės spindulių ar kitų šilumos šaltinių.

58

- Nedėkite baterijų į mikrobangų krosnelę ar bet kokį kitą aukšto slėgio indą.
- Nemerkite baterijų į skysčius ir neleiskite joms liestis su skysčiais.
- Nejunkite baterijų trumpojo jungimo.
- Nenaudokite baterijų, kurios, atrodo, teka, pakitusi spalva, surūdijusios, deformuotos; skleisti kvapą; arba yra kitaip nenormalūs.
- Nelieskite ištekantių baterijų.
- Nemaišykite senų ir naujų baterijų.
- Nekraukite baterijų ilgiau nei nurodytas laikas.
- Saugokite baterijas nuo vaikų iki 3 metų amžiaus. Prarijus, nedelsdami kreipkitės į vietinę medicinos pagalbą.

REKOMENDUOJAMOS BATERIJOS

Norėdami maitinti Keypad PRO, turite naudoti 4 AAA baterijas. Leidžiame naudoti tik 1,5 V (LR03) AAA tipo baterijas.

ĮSPĖJIMAS:

Įdiegus akumuliatorių, kurių darbinė įtampa viršija 1,5 V, kyla pavojus sugadinti įrenginį ir prarasti garantiją!

- Teisingai įdėkite naujas baterijas, vadovaudamiesi simboliais, nurodant kiekvienos baterijos teigiamą (+) ir neigiamą (-) galus. Nekeiskite baterijos poliškumo.
- Baterijas laikykite vėsioje, sausoje vietoje normalioje kambario temperatūroje.
- Atskirkite, perdirbkite ir išmeskite baterijas laikydamiesi vietinių taisyklių. Norėdami gauti daugiau informacijos, susisiekite su vietos valdžios institucija.
- Komplekte esančias baterijas naudokite nuo -20 iki +54°C darbinėje temperatūroje ir laikykite nuo -30 iki +45°C temperatūroje. Viršijus šiuos diapazonus, akumuliatorių gali būti sugadintas, prarastos savybės, nutekėti arba sprogti. Aukščiau nurodyti temperatūros diapazonai gali skirtis priklausomai nuo akumuliatoriaus gamintojo.
- Keisdami įrenginio baterijas naudokite tik vieno tipo baterijas (nemaišykite).





Kita informacija

- Prietaisus ir jų priedus išmeskite laikydamiesi vietinių taisyklių. Jei įmanoma, perdirbkite.
- Neišmeskite prietaiso kartu su buitinėmis atliekomis ir nedeginkite.
- Šį įrenginį saugu naudoti pagal įprastą ir pagrįstai numatomą netinkamo naudojimo elgesio kodeksą. Jei pastebėjote kokių nors klaidų ar aparatinės įrangos gedimo požymių, kreipkitės pagalbos į „Tedes“ techninę pagalbą. Tokiu atveju šis prietaisas turi būti grąžintas į Tedee, kad būtų atliktas būtinas remontas pagal garantines sąlygas. Bet kokie įrenginio aparatinės ar programinės įrangos pakeitimai ar modifikacijos, kurių nepatvirtino, nerekomenduoja ar nepateikia „Tedes“, gali anuliuoti jūsų garantiją.
- Kad šis įrenginys tinkamai veiktų, reikalingas maitinimo šaltinis ir „Bluetooth(R)“ ryšys, o norint naudotis kai kuriomis jo funkcijomis, gali prireikti interneto ryšio. Gamintojas neatsako už galimas prieigos prie kambario problemas, kylančias dėl interneto prieigos trūkumo arba maitinimo šaltinio gedimo ar išsekimo.
- Šis prietaisas nėra skirtas naudoti kaip namų apsaugos sistemos dalis. Gamintojas nedeklaruoja įrenginio apsaugos nuo įsilaužimo savybių ar sertifikatų, sertifikatų ar apsaugos nuo įsilaužimo klasių. Gamintojas neprisiima atsakomybės už jokią galimą žalą / sužalojimą, patirtą dėl vagystės, įsilaužimo ar įsibrovimo, atsiradusio dėl apgadavimo, įveikimo ar neteisėto įrenginio valdymo.
- Šiam įrenginiui gali tekti įsigyti papildomų produktų, kad būtų įjungtas kai kurios jo funkcijos. Jei abejojate, susisiekite su „Tedes“ palaikymo tarnyba.
- Šiam įrenginiui gali reikėti apdoroti jautrius asmens duomenis, pvz., biometrinius duomenis, kad būtų galima naudotis kai kuriomis jo funkcijomis. Toks tvarkymas yra visiškai savanoriškas ir vykdomas remiantis aišku vartotojo sutikimu, kurį galima bet kada atšaukti.
- Nei Tedee Sp. z oo, nei mūsų mažmenininkai nėra atsakingi už aukščiau pateiktą įspėjimų ir saugos nurodymų nesilaikymą. Pirkėjas, įsigydamas šį įrenginį, pripažįsta visą riziką, susijusią su Tedee įrangos naudojimu. Jei nesutinkate su šiomis sąlygomis, prieš naudodami grąžinkite įrenginį gamintojui arba platintojui

Priežiūra

- Prieš valydami prietaisą išimkite baterijas. Nenaudokite jokių tepalų, valymo priemonių, blizgiklių ar oro gaiviklių jokiai įrenginio daliai. Nuvalykite tik sausu skudurėliu.
- Jei nustatoma, kad įrenginio korpusas arba klaviatūra yra taip susidėvėję, kad pažeistas korpuso vientisumas, susisiekite su „Tedes“ technine pagalba.

PRIJUNGIMAS PRIE BUITINĖS ELEKTROS SISTEMOS

Jungdami Keypad PRO prie namų elektros sistemos:

- 1) Visus montavimo darbus atlikite išjungę maitinimo grandinę (išjunkite kištukus).
- 2) Įdiekite įrenginį naudodami DC 5–24 V maitinimo grandinę. NIEKADA nejunkite įrenginio tiesiai į elektros lizdą arba 230 V/110 V maitinimo šaltinį. Didelė elektros smūgio, gaisro ir fizinių sužalojimų rizika, jei nepaisoma.
- 3) Įsitikinkite, kad klaviatūra PRO taip pat maitinama rekomenduojamomis 4xAAA baterijomis, jei nutrūktų maitinimas, dėl kurio kitu atveju gali būti apribotas jūsų galimybės patekti į patalpas.
- 4) Jei kyla abejonų dėl montavimo, susisiekite su mumis adresu <https://tedee.com/get-support> arba susisiekite su vietiniu profesionaliu elektriku.

Nei Tedee Sp. z oo, nei mūsų mažmenininkai nėra atsakingi už bet kokią galimą žalą ar prieigos kontrolės problemas, atsiradusias dėl netinkamo Tedee Keypad PRO įrengimo vartotojo namų elektros sistemoje. Tai, kas išdėstyta aukščiau, apima tiek paties vartotojo netinkamus veiksmus, tiek trečiųjų šalių diegimo paslaugų teikėjų padarytą žalą.





TECHNINĖ INFORMACIJA

Techninės specifikacijos

Modelis
TKV2.0

Maitinimas
4 AAA baterijos

Bluetooth® ryšys
BLE 5.2 2.4GHz

Matmenys
125 x 33 x 23,5 mm

Darbinė temperatūra
nuo -30°C iki 50°C

Dažnių diapazonas
nuo 2,4 GHz iki 2,483 GHz
didžiausia išėjimo galia: 8 dBm

darbinė drėgmė
95%

Rekomenduojama sąranka
maks. 2 metrai nuo dedės spynos maks. 2 metrai nuo dedės tilto

TEISINĖS / APLINKOSAUGOS PASTABOS

60

ES atitikties deklaracija

Tedee Sp. z oo pareiškia, kad „Tedee Keypad PRO TKV2.0“ radijo įrenginys atitinka direktyvą 2014/53/ES. Visą ES atitikties deklaracijos tekstą galima rasti šiuo interneto adresu: www.tedee.com/compliance.

WEEE / RoHS

Kad išvengtumėte galimo neigiamo poveikio aplinkai, vadovaukitės vietiniais įstatymais ir taisyklėmis, kaip tinkamai išmesti elektroninius prietaisus ir baterijas savo šalyje. Baterijų išmetimas – jei jūsų Tedee įrenginyje yra baterijų, neišmeskite jų kartu su įprastomis buitinėmis atliekomis. Perduokite juos į atitinkamą perdirbimo įmonę arba surinkimo punktą. „Tedee“ įrenginiuose naudojamose baterijose gyvsidabrio, kadmio ar švino nėra daugiau nei nurodyta 2006/66/EB direktyvoje. Elektronikos išmetimas – neišmeskite savo Tedee įrenginio su įprastomis buitinėmis atliekomis. Perduokite jį į atitinkamą perdirbimo įmonę arba surinkimo punktą.

Bluetooth®

„Bluetooth®“ žodinis ženklas ir logotipai priklauso „Bluetooth SIG, Inc.“, o bet koks tokių ženklų naudojimas – Tedee Sp. z oo turi licenciją. Kiti prekių ženklai ir prekių pavadinimai priklauso jų atitinkamiems savininkams.

Google, Android ir Google Play yra Google LLC prekių ženklai.

„Apple“ ir „App Store“ yra „Apple Inc.“ prekių ženklai. IOS yra „Cisco“ prekės ženklas arba registruotasis prekės ženklas JAV ir kitose šalyse ir naudojamas pagal licenciją.

LV: DROŠĪBAS INFORMĀCIJA

AKUMULATORA DROŠĪBAS VADLĪNIJAS/BRĪDINĀJUMI





Ar baterijām darbināmā Tedeo tastatūras komplektā ietilpst neuzlādējamas un lietotāja neapkopjamas baterijas.

Nedrīkst

- Neuzlādējiet neuzlādējamas baterijas.
- Neizjauciet, nepārduriet, nepārveidojiet, nemetiet, nemetiet akumulatorus un neizraisiet citus nevajadzīgus triecienus.
- Neatstājiet un neuzglabājiet baterijas karstās vietās, piemēram, pie krāsns, plīts, tiešas saules gaismas vai cita siltuma avota.
- Neievietojiet baterijas mikroviļņu krāsnī vai jebkurā citā augstspiediena tvertnē.
- Neiegremdējiet akumulatorus šķidrumsos un neļaujiet tiem nonākt saskarē ar šķidrumsos.
- Neizslēdziet akumulatoru īssavienojumu.
- Neizmantojiet baterijas, kurām šķiet noplūde, kuras ir mainījušas krāsu, sarūsējušas vai deformētas; izdala smaku; vai arī ir citādi nenormāli.
- Neaiztieciat noplūdušām baterijām.
- Nejauciet vecas un jaunas baterijas.
- Neturpiniet uzlādēt akumulatorus ilgāk par norādīto laiku.
- Glabājiet baterijas bērniem, kas jaunāki par 3 gadiem, nepieejamā vietā. Ja tās norij, nekavējoties sazinieties ar vietējo medicīnisko palīdzību.

LETEICAMĀS BATERIJAS

Lai darbinātu Keypad PRO, ir jāizmanto 4 AAA baterijas. Mēs atļaujam izmantot tikai 1,5 V (LR03) AAA baterijas.

BRĪDINĀJUMS:

Ierīces neatgriezenisku bojājumu risks un garantijas zaudēšana, ja tiek uzstādītas baterijas, kuru darba spriegums pārsniedz 1,5 V!

- Pareizi ievietojiet jaunas baterijas, ievērojot katras baterijas pozitīvā (+) un negatīvā (-) gala novietojuma simbolus. Nemainiet akumulatora polaritāti.

- Uzglabājiet akumulatorus vēsā, sausā vietā normālā istabas temperatūrā.
- Atšķiriet, pārstrādājiet un atbrīvojieties no akumulatoriem saskaņā ar vietējiem noteikumiem. Lai iegūtu papildinformāciju, sazinieties ar vietējo iestādi.
- Izmantojiet komplektācijā iekļautās baterijas darba temperatūrā no -20 līdz +54° C un uzglabājiet tās temperatūrā no -30 līdz +45°C. Šo diapazonu pārsniegšana var izraisīt akumulatora bojājumus, īpašību zudumu, noplūdi vai eksploziju. Iepriekš minētie temperatūras diapazoni var atšķirties atkarībā no akumulatora ražotāja.
- Nomainot ierīces baterijas, izmantojiet tikai viena veida baterijas (nejaukt).

Cita informācija

- Atbrīvojieties no ierīcēm un to piederumiem saskaņā ar vietējiem noteikumiem. Ja iespējams, pārstrādājiet.
- Neizmetiet ierīci kopā ar sadzīves atkritumiem un nededziet to.
- Šo ierīci var droši lietot, ievērojot parasto un saprātīgi paredzamo nepareizas lietošanas rīcības kodeksu. Ja pamanāt kļūdas vai aparatūras darbības traucējumu pazīmes, sazinieties ar Tedeo tehnisko atbalstu, lai saņemtu palīdzību. Šādā gadījumā šī ierīce ir jānodod atpakaļ uzņēmumam Tedeo, lai veiktu nepieciešamo remontu saskaņā ar garantijas nosacījumiem. Jebkādas ierīces aparatūras vai programmatūras izmaiņas vai modifikācijas, kuras nav apstiprinājis, neietecis vai nenodrošina Tedeo, var anulēt jūsu garantiju.
- Lai šī ierīce pareizi darbotos, ir nepieciešams barošanas avots un Bluetooth(R) savienojums, un, lai izmantotu dažas tās funkcijas, var būt nepieciešams interneta savienojums. Ražotājs nav atbildīgs par iespējamām piekļuves problēmām, kas radušās interneta piekļuves trūkuma vai strāvas avota atteices vai izsmelšanas dēļ.
- Šī ierīce nav paredzēta lietošanai kā daļa no mājas drošības sistēmas. Ražotājs nedeklarē ierīces pretuzlaušanas īpašības vai apliecinājumus, sertifikātus vai pretielaušanās aizsardzības klases. Ražotājs nav atbildīgs par iespējamajiem bojājumiem/savainojumiem, kas radušies zādzības, ielaušanās vai ielaušanās rezultātā, kas radušies ierīces bojājumu, pārvarēšanas vai nesankcionētas kontroles iegūšanas rezultātā.





- Šai ierīcei var būt nepieciešams iegādāties papildu produktus, lai iespējotu dažas tās funkcijas. Ja rodas šaubas, lūdzu, sazinieties ar Tedeo atbalsta dienestu.
- Lai piekļūtu dažām tās funkcijām, šai ierīcei var būt nepieciešama sensitīvu personas datu apstrāde, piemēram, biometriskie dati. Šāda apstrāde ir pilnībā brīvprātīga un tiek veikta, pamatojoties uz lietotāja nepārprotamu piekrišanu, kuru var atsaukt jebkurā laikā.
- Ne Tedeo Sp. z oo , ne arī mūsu mazumtirgotāji nav atbildīgi par iepriekš minēto brīdinājumu un drošības vadlīniju neievērošanu. Iegādājoties šo ierīci, pircējs atzīst visus riskus, kas saistīti ar Tedeo aprīkojuma lietošanu . Ja nepiekrītat šiem noteikumiem, pirms lietošanas atdodiet ierīci ražotājam vai izplatītājam.

Apkope

- Pirms tīrīšanas izņemiet no ierīces baterijas. Nevienā ierīces daļā neizmantojiet smērvielas, tīrīšanas līdzekļus, pulēšanas līdzekļus vai gaisa atsvaidzinātājus. Noslaukiet to tikai ar sausu drānu.
- Ja tiek konstatēts, ka ierīces korpusā vai tastatūrā ir tiktāl nodilusi, ka ir apdraudēta korpusa integritāte, sazinieties ar Tedeo tehnisko atbalstu.

PIESLĒGUMS MĀJAS ELEKTROSISTĒMAI

Savienojot Keypad PRO ar mājas elektrisko sistēmu:

- 1) Vienmēr veiciet visus uzstādīšanas darbus, kad strāvas ķēde ir izslēgta (izslēdziet kontaktakšas).
- 2) Uzstādiet ierīci, izmantojot DC 5-24V strāvas ķēdi. NEKAD nepievienojiet ierīci tieši elektrības kontaktligzdai vai 230V/110V barošanas avotam. Augsts elektriskās strāvas trieciena vai ugunsgrēka un fizisku ievainojumu risks, ja tas netiek ignorēts.
- 3) Pārliecinieties, ka tastatūra PRO tiek darbināta arī ar ieteicamajām 4xAAA baterijām potenciālu strāvas padeves pārtraukumu gadījumā, kas citādi var ierobežot jūsu spēju piekļūt telpām.

62

- 4) Ja rodas šaubas par uzstādīšanu, lūdzu, sazinieties ar mums vietnē <https://tedee.com/get-support> vai sazinieties ar vietējo profesionālu elektriķi. Ne Tedeo Sp. z oo , ne arī mūsu mazumtirgotāji nav atbildīgi par jebkāda veida iespējamem bojājumiem vai piekļuves kontroles problēmām, kas radušās nepareizas Tedeo Keypad PRO uzstādīšanas dēļ lietotāja mājas elektriskajā sistēmā. Iepriekš minētais ietver gan paša lietotāja nepareizas darbības, gan trešo pušu instalācijas pakalpojumu sniedzēju radītos zaudējumus.

TEHNISKĀ INFORMĀCIJA

Tehniskās specifikācijas

Modelis
TKV2.0

Barošanas avots
4 AAA baterijas

Bluetooth® komunikācija
BLE 5.2 2.4GHz

Izmēri
125 x 33 x 23,5 mm

Darba temperatūra
no -30°C līdz 50°C

Frekvenču diapazons
no 2,4 GHz līdz 2,483 GHz
maksimālā izejas jauda: 8 dBm

darba mitrums
95%





Ieteicamā iestatīšana
maks. 2 metri no Tedee slēdzēnes maks. 2 metri no Tedē tilta

JURIDISKĀS / VIDES PIEZĪMES

ES atbilstības deklarācija

Tedee Sp. z oo paziņo, ka Tedee Keypad PRO TKV2.0 radio ierīce atbilst Direktīvai 2014/53/ES. Pilns ES atbilstības deklarācijas teksts ir pieejams šādā interneta adresē: www.tedee.com/compliance.

WEEE / RoHS

Lai novērstu iespējamo negatīvo ietekmi uz vidi, iepazīstieties ar vietējiem likumiem un noteikumiem par pareizu elektronisko ierīču un bateriju iznīcināšanu savā valstī. Atbrīvošanās no akumulatoriem – ja jūsu Tedee ierīci ir baterijas, neizmetiet tās kopā ar parastajiem sadzīves atkritumiem. Nododiet tos atbilstošā pārstrādes uzņēmumā vai savākšanas punktā. Tedee ierīcēs izmantotās baterijas nesatur dzīvsudrabu, kadmiju vai svīnu, kas pārsniedz 2006/66/EK direktīvā noteikto līmeni. Atbrīvošanās no elektronikas – neizmetiet ierīci kopā ar parastajiem sadzīves atkritumiem. Nododiet to atbilstošā pārstrādes uzņēmumā vai savākšanas punktā.

Bluetooth®

Bluetooth® vārdu zīme un logotipi pieder Bluetooth SIG, Inc., un jebkurš šādu zīmju lietojums pieder Tedee Sp. z oo ir licence. Citas preču zīmes un tirdzniecības nosaukumi pieder to attiecīgajiem īpašniekiem.

Google, Android un Google Play ir Google LLC preču zīmes.

Apple un App Store ir Apple Inc. preču zīmes. IOS ir Cisco preču zīme vai reģistrēta preču zīme ASV un citās valstīs un tiek izmantota saskaņā ar licenci.

CS: INFORMACE O BEZPEČNOSTI

BEZPEČNOSTNÍ POKYNY / VAROVÁNÍ BATERIE

Sada bateriových klávesnic Tedee obsahuje nedobíjecí baterie a baterie, které uživatel nemůže opravovat.

Ne

- Nenabíjejte nedobíjecí baterie.
- Baterie nerozebírejte, nepropichujte, neupravujte, nepouštějte, neházejte ani nezpůsobujte jiné zbytečné otřesy.
- Nenechávejte ani neskladujte baterie na horkých místech, jako je například trouba, sporák, přímé sluneční světlo nebo jiný zdroj tepla.
- Nevkládejte baterie do mikrovlnné trouby ani do žádné jiné nádoby pod vysokým tlakem.
- Neponořujte baterie do kapalin a nedovolte, aby se dostaly do kontaktu s kapalinami.
- Nezkratujte baterie.
- Nepoužívejte baterie, které vypadají jako vytékající, mají změněnou barvu, jsou rezavé, zdeformované; vydávat zápach; nebo jsou jinak abnormální.
- Nedotýkejte se vytékajících baterií.
- Nekombinujte staré a nové baterie.
- Nepokračujte v nabíjení baterií déle, než je uvedeno.
- Uchovávejte baterie mimo dosah dětí mladších 3 let. V případě spolknutí okamžitě kontaktujte místní lékařskou pomoc.

DOPORUČENÉ BATERIE

K napájení Keypad PRO potřebujete 4 baterie AAA. Povolujeme použití pouze AAA baterií 1,5V (LR03).





VAROVÁNÍ:

Při instalaci baterií s provozním napětím vyšším než 1,5V hrozí trvalé poškození zařízení a ztráta záruky!

- Vkládejte nové baterie správně a řiďte se symboly pro umístění kladného (+) a záporného (-) konce každé baterie. Neměňte polaritu baterie.
- Baterie skladujte na chladném a suchém místě při normální pokojové teplotě.
- Proveďte třídění, recyklaci a likvidaci baterií v souladu s místními předpisy. Pro více informací kontaktujte váš místní úřad.
- Přiložené baterie používejte při provozní teplotě -20 až +54 °C a skladujte je při teplotě -30 až +45 °C. Překročení těchto rozsahů může vést k poškození, ztrátě vlastností, vytečení nebo explozi baterie. Výše uvedené teplotní rozsahy se mohou lišit v závislosti na výrobci baterie.
- Při výměně baterií v zařízení používejte pouze jeden typ baterií (nekombinujte).

Další informace

- Zařízení a jejich příslušenství zlikvidujte v souladu s místními předpisy. Pokud je to možné, recyklujte.
- Nevyhazujte zařízení do domovního odpadu a nespalujte jej.
- Toto zařízení je bezpečné používat za normálního a rozumně předvidatelného provozního řádu nesprávného použití. Pokud zaznamenáte jakékoli známky chyb nebo selhání hardwaru, požádejte o pomoc technickou podporu tedee . V takovém případě by mělo být toto zařízení vráceno společnosti tedee k nezbytným opravám v rámci záručních podmínek. Jakékoli změny nebo úpravy hardwaru nebo softwaru zařízení, které nejsou schváleny, doporučený nebo poskytnuty společností tedee, mohou zneplatnit vaši záruku.
- Toto zařízení vyžaduje pro správnou funkci zdroj napájení a připojení Bluetooth(R) a může vyžadovat připojení k internetu, aby bylo možné používat některé jeho funkce. Výrobce nenesou odpovědnost za případné problémy s přístupem do místnosti způsobené nedostatečným přístupem k internetu nebo poruchou či vyčerpáním zdroje energie.

64

- Toto zařízení není určeno k použití jako součást domácího bezpečnostního systému. Výrobce k zařízení nedeklaruje žádné vlastnosti proti vloupání ani atesty, certifikáty či třídy ochrany proti vloupání. Výrobce nenesou odpovědnost za případné škody/zranění způsobené krádeží, vloupáním nebo vloupáním v důsledku poškození, překonání nebo neoprávněného získání kontroly nad zařízením.
- K aktivaci některých funkcí může toto zařízení vyžadovat zakoupení dalších produktů. V případě pochybností kontaktujte podporu tedee .
- Toto zařízení může pro přístup k některým funkcím vyžadovat zpracování citlivých osobních údajů, jako jsou biometrické údaje. Takové zpracování je zcela dobrovolné a provádí se na základě výslovného souhlasu uživatele, který lze kdykoli odvolat.
- Ani Tedee Sp. z oo ani naši prodejci nenesou odpovědnost za nedodržení výše uvedených varování a bezpečnostních pokynů. Zakoupením tohoto zařízení bere kupující na vědomí všechna rizika spojená s používáním zařízení tedee . Pokud s těmito podmínkami nesouhlasíte, vraťte zařízení před použitím výrobci nebo distributorovi.

Údržba

- Před čištěním vyjměte baterie ze zařízení. Na žádnou část zařízení nepoužívejte žádná maziva, čisticí prostředky, leštidla ani osvěžovače vzduchu. Otřete jej pouze suchým hadříkem.
- Pokud zjistíte, že kryt zařízení nebo klávesnice jsou opotřebované do té míry, že je narušena integrita krytu, kontaktujte technickou podporu tedee .

PŘIPOJENÍ K DOMÁCÍ ELEKTRICKÉ SÍTI

Při připojování Keypad PRO k domácímu elektrickému systému:

- 1) Veškeré instalační práce provádějte vždy s vypnutými napájecími obvody (vytáhněte zástrčky).





2) Nainstalujte zařízení pomocí napájecího obvodu DC 5-24V. NIKDY nepojoujte zařízení přímo do elektrické zásuvky nebo napájení 230V/110V. Vysoké riziko úrazu elektrickým proudem nebo požáru a fyzického zranění, pokud je ignorováno.

3) Ujistěte se, že Keypad PRO je také napájen doporučenými bateriemi 4xAAA pro případ potenciálních výpadků napájení, které by jinak mohly omezit vaši kapacitu přístupu do prostor.

4) V případě jakýchkoliv pochybností ohledně instalace nás prosím kontaktujte na <https://tedee.com/get-support> nebo se obraťte na místního profesionálního elektrikáře.

Ani Tedee Sp. z oo ani naši prodejci nenesou odpovědnost za jakékoli potenciální škody jakéhokoli druhu nebo problémy s řízením přístupu vyplývající z nesprávné instalace klávesnice Tedee Keypad PRO do domácího elektrického systému uživatele. Výše uvedené zahrnuje jak vlastní nesprávné jednání uživatele, tak i škody způsobené poskytovateli instalačních služeb třetích stran.

TECHNICKÉ INFORMACE

Technické specifikace

Model
TKV2.0

Napájení
4 bateriemi AAA

Bluetooth® komunikace
BLE 5.2 2,4 GHz

Rozměry
125 x 33 x 23,5 mm

Provozní teplota
od -30°C do 50°C

Frekvenční rozsah
od 2,4 GHz do 2,483 GHz
maximální výstupní výkon: 8 dBm

Provozní vlhkost
maximálně 95%

Doporučené nastavení
max. 2 metry od zámku Tedee max. 2 metry od tedee bridge

PRÁVNÍ / EKOLOGICKÉ POZNÁMKY

EU prohlášení o shodě

Tedee Sp. z oo tímto prohlašuje, že rádiové zařízení Tedee Keypad PRO TKV2.0 je v souladu se směrnicí 2014/53/EU. Úplné znění EU prohlášení o shodě je k dispozici na následující internetové adrese: www.tedee.com/compliance.

WEEE / RoHS

Abyste předešli potenciálnímu negativnímu dopadu na životní prostředí, prostudujte si místní zákony a předpisy pro správnou likvidaci elektronických zařízení a baterií ve vaší zemi. Likvidace baterií – pokud vaše zařízení tedee obsahuje baterie, nevyhazujte je do běžného domovního odpadu. Předejte je do příslušného recyklačního zařízení nebo sběrného místa. Baterie používané v zařízeních tedee neobsahují rtuť, kadmium ani olovo nad úroveň specifikovanou ve směrnici 2006/66/ES. Likvidace elektroniky – nevyhazujte zařízení tedee do běžného domovního odpadu. Předejte jej do příslušného recyklačního zařízení nebo sběrného místa.





Bluetooth®

Slovní označení a loga Bluetooth® jsou majetkem společnosti Bluetooth SIG, Inc. a jakékoli použití těchto značek společností Tedee Sp. z oo je pod licencí. Ostatní ochranné známky a obchodní názvy jsou majetkem příslušných vlastníků.

Google, Android a Google Play jsou ochranné známky společnosti Google LLC.

Apple a App Store jsou ochranné známky společnosti Apple Inc. IOS je ochranná známka nebo registrovaná ochranná známka společnosti Cisco v USA a dalších zemích a je používána na základě licence.

SK: INFORMÁCIE O BEZPEČNOSTI

BEZPEČNOSTNÉ POKYNY/UPOZORNENIA NA BATÉRIE

Súprava batériových klávesníc Tedee obsahuje nenabíjateľné batérie a batérie, ktoré používateľ nemôže opravovať.

nie

- Nenabíjajte nenabíjateľné batérie.
- Batérie nerozoberajte, neprepichujte, neupravujte, nepúšťajte, nehádzte ani nespôsobujte iné zbytočné otrasy.
- Batérie nenechávajte ani neskladujte na horúcich miestach, napríklad v blízkosti rúry, sporáka, priameho slnečného žiarenia alebo iných zdrojov tepla.
- Batérie nevkładajte do mikrovlnnej rúry ani do inej nádoby pod vysokým tlakom.
- Batérie neponárajte do tekutín a nedovoľte, aby prišli do kontaktu s tekutinami.
- Batérie neskratujte.
- Nepoužívajte batérie, ktoré sa zdajú byť vyčenené, majú zmenenú farbu, sú hrdzavé, zdeformované; vydávajú zápach; alebo sú inak abnormálne.
- Nedotýkajte sa vytekajúcich batérií.

66

- Nemiešajte staré a nové batérie.
- Nepokračujte v nabíjaní batérií dlhšie, ako je stanovený čas.
- Batérie uchovávajte mimo dosahu detí mladších ako 3 roky. V prípade prehtnutia okamžite kontaktujte miestnu lekársku pomoc.

ODPORÚČANÉ BATÉRIE

Na napájanie klávesnice Keypad PRO je potrebné použiť 4 batérie typu AAA. Povoľujeme použitie iba AAA batérií 1,5V (LR03).

POZOR:

Nebezpečenstvo trvalého poškodenia zariadenia a straty záruky, ak sú nainštalované batérie s prevádzkovým napätím vyšším ako 1,5V!

- Nové batérie vkladajte správne podľa symbolov na umiestnenie kladného (+) a záporného (-) konca každej batérie. Nemeňte polaritu batérie.
- Batérie skladujte na chladnom a suchom mieste pri normálnej izbovej teplote.
- Batérie separujte, recyklujte a likvidujte podľa miestnych predpisov. Pre viac informácií kontaktujte váš miestny úrad.
- Priložené batérie používajte pri prevádzkovej teplote -20 až +54° C a skladujte ich pri teplote -30 až +45°C. Prekročenie týchto rozsahov môže viesť k poškodeniu, strate vlastností, vytečeniu alebo výbuchu batérie. Vyššie uvedené teplotné rozsahy sa môžu líšiť v závislosti od výrobcu batérie.
- Pri výmene batérií v zariadení používajte iba jeden typ batérií (nemiešajte).

Ďalšie informácie

- Zariadenia a ich príslušenstvo zlikvidujte v súlade s miestnymi predpismi. Ak je to možné, recyklujte.
- Zariadenie nelikvidujte ako domáci odpad a nespaľujte ho.
- Toto zariadenie je bezpečné používať za normálnych a rozumne predvídateľných nesprávnych prevádzkových pravidiel. Ak spozorujete akékoľvek známky chýb





alebo zlyhania hardvéru, požiadajte o pomoc technickú podporu tedee . V takom prípade by mal byť tento prístroj vrátený spoločnosti tedee na nevyhnutné opravy v rámci záručných podmienok. Akékoľvek zmeny alebo úpravy hardvéru alebo softvéru zariadenia, ktoré nie sú schválené, odporúčané alebo poskytnuté spoločnosťou tedee, môžu spôsobiť neplatnosť záruky.

- Toto zariadenie vyžaduje na správne fungovanie zdroj napájania a pripojenie Bluetooth(R) a na používanie niektorých jeho funkcií môže vyžadovať internetové pripojenie. Výrobca nezodpovedá za potenciálne problémy s prístupom do miestnosti spôsobené nedostatočným prístupom na internet alebo poruchou alebo vyčerpaním zdroja energie.
- Toto zariadenie nie je určené na použitie ako súčasť domáceho bezpečnostného systému. Výrobca k zariadeniu nedeclaruje žiadne vlastnosti proti vlámaniu ani atesty, certifikáty či triedy ochrany proti vlámaniu. Výrobca nezodpovedá za žiadne potenciálne škody/zranenia spôsobené krádežou, vlámaním alebo vniknutím do zariadenia v dôsledku poškodenia, prekonania alebo neoprávneného získania kontroly nad zariadením.
- Toto zariadenie môže vyžadovať zakúpenie ďalších produktov, aby bolo možné aktivovať niektoré z jeho funkcií. Ak máte pochybnosti, kontaktujte podporu tedee .
- Toto zariadenie môže na prístup k niektorým jeho funkciám vyžadovať spracovanie citlivých osobných údajov, ako sú biometrické údaje. Takéto spracovanie je úplne dobrovoľné a vykonáva sa na základe výslovného súhlasu užívateľa, ktorý je možné kedykoľvek odvolať.
- Ani Tedee Sp. z oo , ani naši predajcovia nie sú zodpovední za nedodržanie vyššie uvedených upozornení a bezpečnostných pokynov. Kúpou tohto zariadenia kupujúci berie na vedomie všetky riziká spojené s používaním zariadenia tedee . Ak s týmito podmienkami nesúhlasíte, vráťte zariadenie pred použitím výrobcovi alebo distribútorovi.

Údržba

- Pred čistením vyberte zo zariadenia batérie. Na žiadnu časť zariadenia nepoužívajte žiadne lubrikanty, čistiace prostriedky, leštiidlá ani osviežovače

vzduchu. Utierajte ho iba suchou handričkou.

- Ak zistíte, že kryt zariadenia alebo klávesnica sú opotrebované do takej miery, že je narušená integrita krytu, kontaktujte technickú podporu tedee .

PRIPOJENIE K DOMÁCEJ ELEKTRICKEJ SIETI

Pri pripájaní Keypad PRO k vášmu domácejmu elektrickému systému:

- 1) Všetky inštalačné práce vykonávajte vždy s vypnutým napájacím obvodom (vypnite zástrčky).
- 2) Nainštalujte zariadenie pomocou napájacieho obvodu DC 5-24V. NIKDY nezapájajte zariadenie priamo do elektrickej zásuvky alebo napájacieho zdroja 230V/110V. Vysoké riziko úrazu elektrickým prúdom alebo požiaru a fyzického zranenia, ak sa ignoruje.
- 3) Uistite sa, že Keypad PRO je napájaný aj odporúčanými batériami 4xAAA, pre prípad potenciálnych výpadkov napájania, ktoré by inak mohli obmedziť vašu kapacitu prístupu do priestorov.
- 4) V prípade akýchkoľvek pochybností o inštalácii nás kontaktujte na <https://tedee.com/get-support> alebo kontaktujte miestneho profesionálneho elektrikára.

Ani Tedee Sp. z oo , ani naši predajcovia nie sú zodpovední za žiadne potenciálne škody akéhokoľvek druhu alebo problémy s kontrolou prístupu vyplývajúce z nesprávnej inštalácie klávesnice Tedee Keypad PRO do domáceho elektrického systému používateľa. Vyššie uvedené zahŕňa nesprávne konanie používateľa, ako aj škody spôsobené poskytovateľmi inštalačných služieb tretích strán.

TECHNICKÉ INFORMÁCIE

Technické špecifikácie





Model
TKV2.0

Napájanie
4 batérie AAA

Bluetooth® komunikácia
BLE 5.2 2,4 GHz

Rozmery
125 x 33 x 23,5 mm

Prevádzková teplota
od -30°C do 50°C

Frekvenčný rozsah
od 2,4 GHz do 2,483 GHz
maximálny výstupný výkon: 8 dBm

Prevádzková vlhkosť
maximálne 95%

Odporúčané nastavenie
max. 2 metre od zámku tedee max. 2 metre od tedee bridge

PRÁVNE / ENVIRONMENTÁLNE POZNÁMKY

Vyhlasenie o zhode EÚ

Tedee Sp. z oo týmto vyhlasuje, že rádiové zariadenie Tedee Keypad PRO TKV2.0 je v súlade so smernicou 2014/53/EÚ. Úplné znenie Vyhlásenia o zhode EÚ je dostupné na tejto internetovej adrese: www.tedee.com/compliance.

68

WEEE / RoHS

Aby ste predišli potenciálnemu negatívne vplyvu na životné prostredie, prečítajte si miestne zákony a predpisy o správnej likvidácii elektronických zariadení a batérií vo vašej krajine. Likvidácia batérií – ak vaše zariadenie tedee obsahuje batérie, nevyhadzujte ich do bežného domového odpadu. Odovzdajte ich do príslušného recyklačného zariadenia alebo na zberné miesto. Batérie používané v zariadeniach tedee neobsahujú ortuť, kadmium ani olovo nad úroveň uvedenú v smernici 2006/66/ES. Likvidácia elektroniky – vaše zariadenie tedee nevyhadzujte do bežného domového odpadu. Odovzdajte ho do príslušného recyklačného zariadenia alebo na zberné miesto.

Bluetooth®

Slovné označenie a logá Bluetooth® sú vlastníctvom spoločnosti Bluetooth SIG, Inc. a akékoľvek použitie týchto značiek spoločnosťou Tedee Sp. z oo má licenciu. Ostatné ochranné známky a obchodné názvy patria ich príslušným vlastníkom.

Google, Android a Google Play sú ochranné známky spoločnosti Google LLC.

Apple a App Store sú ochranné známky spoločnosti Apple Inc. IOS je ochranná známka alebo registrovaná ochranná známka spoločnosti Cisco v USA a iných krajinách a používa sa na základe licencie.

SL: VARNOSTNE INFORMACIJE

VARNOSTNE SMERNICE / OPOZORILA ZA BATERIJE

Komplet tipkovnice Tedee na baterijsko napajanje vkladuje baterije, ki jih ni mogoče polniti in jih uporabnik ne more servisirati.





ne

- Ne polnite baterij, ki jih ni mogoče polniti.
- Baterij ne razstavljajte, prebadajte, spreminjajte, ne spuščajte, ne mečite ali povzročajte drugih nepotrebnih udarcev.
- Baterij ne puščajte ali shranjujte na vročih mestih, kot je blizu peči, štedilnika, neposredne sončne svetlobe ali drugega vira toplote.
- Baterij ne postavljajte v mikrovalovno pečico ali v katero koli drugo visokotlačno posodo.
- Baterij ne potaplajte v tekočine in ne dovolite, da pridejo v stik s tekočinami.
- Ne povzročajte kratkega stika baterij.
- Ne uporabljajte baterij, za katere je videti, da puščajo, so razbarvane, zarjavlele ali deformirane; oddajajo vonj; ali so kako drugače nenormalni.
- Ne dotikajte se baterij, ki puščajo.
- Ne mešajte starih in novih baterij.
- Baterij ne polnite dlje od določenega časa.
- Baterije hranite izven dosega otrok, mlajših od 3 let. Če jih zaužijete, takoj pokličite lokalno zdravniško pomoč.

PRIPOROČENE BATERIJE

Za napajanje vaše Keypad PRO potrebujete 4 baterije AAA. Dovoljena je samo uporaba AAA baterij 1,5V (LR03).

OPOZORILO:

Nevarnost trajne poškodbe naprave in izgube garancije, če so vgrajene baterije z delovno napetostjo nad 1,5 V!

- Nove baterije vstavite pravilno, pri čemer upoštevajte simbole za položaj pozitivnega (+) in negativnega (-) konca vsake baterije. Ne zamenjajte polarnosti baterije.
- Baterije shranjujte na hladnem in suhem mestu pri normalni sobni temperaturi.

- Baterije ločite, reciklirajte in zavržite v skladu z lokalnimi predpisi. Za več informacij se obrnite na lokalne oblasti.
- Priložene baterije uporabljajte pri delovni temperaturi od -20 do +54° C, hranite pa jih pri temperaturi od -30 do +45°C. Preseganje teh razponov lahko povzroči poškodbe, izgubo lastnosti, puščanje ali eksplozijo baterije. Zgornja temperaturna območja se lahko razlikujejo glede na proizvajalca baterije.
- Pri menjavi baterij v napravi uporabljajte samo eno vrsto baterij (ne mešajte).

Druge informacije

- Naprave in njihove dodatke zavržite v skladu z lokalnimi predpisi. Če je mogoče, reciklirajte.
- Naprave ne odvrzite med gospodinske odpadke in je ne sežigajte.
- Ta naprava je varna za uporabo pod normalnim in razumno predvidljivim delovnim kodeksom ravnanja. Če opazite kakršne koli znake napak ali okvare strojne opreme, se za pomoč obrnite na tehnično podporo tedee . V takem primeru je treba to napravo vrniti podjetju tedee za potrebna popravila v skladu z garancijskimi pogoji. Kakršne koli spremembe ali modifikacije strojne ali programske opreme naprave, ki jih tedee ni odobril, priporočil ali zagotovil , lahko razveljavijo vašo garancijo.
- Ta naprava za pravilno delovanje potrebuje vir napajanja in povezavo Bluetooth(R), za uporabo nekaterih njenih funkcij pa bo morda potrebovala internetno povezavo. Proizvajalec ni odgovoren za morebitne težave pri dostopu do prostora, ki so posledica pomanjkanja dostopa do interneta ali okvare ali izčrpanosti vira napajanja.
- Ta naprava ni namenjena uporabi kot del domačega varnostnega sistema. Proizvajalec za napravo ne deklarira nobenih protivlomnih lastnosti ali atestov, certifikatov ali razredov protivlomne zaščite. Proizvajalec ne odgovarja za morebitno škodo/poškodbo, nastalo zaradi kraje, vloma ali vdora, ki je posledica poškodovanja, premagovanja ali nepooblaščenega prevzema nadzora nad napravo.
- Ta naprava bo morda zahtevala nakup dodatnih izdelkov za omogočanje nekaterih njenih funkcij. Če ste v dvomih, se obrnite na podporo tedee .





- Ta naprava lahko za dostop do nekaterih svojih funkcij zahteva obdelavo občutljivih osebnih podatkov, kot so biometrični podatki. Takšna obdelava je v celoti prostovoljna in se izvaja na podlagi izrecne privolitve uporabnika, ki jo lahko kadarkoli prekliče.
- Niti Tedee Sp. z o.o., niti naši prodajalci niso odgovorni za neupoštevane zgornjih opozoril in varnostnih smernic. Z nakupom te naprave kupec prevzema vsa tveganja, povezana z uporabo tedee opreme. Če se s temi pogoji ne strinjate, pred uporabo napravo vrnite proizvajalcu ali distributerju.

Vzdrževanje

- Pred čiščenjem odstranite baterije iz naprave. Na nobenem delu naprave ne uporabljajte nobenih maziv, čistil, loščil ali osvežilcev zraka. Obrišite ga samo s suho krpo.
- Če ugotovite, da sta ohišje naprave ali tipkovnica obrabljena do te mere, da je ogrožena celovitost ohišja, se obrnite na tehnično podporo tedee.

POVEZAVA Z DOMAČIM ELEKTRIČNIM SISTEMOM

Med povezovanjem Keypad PRO z domačim električnim sistemom:

- 1) Vsa namestitvena dela vedno izvajajte z izklopljenim električnim tokokrogom (izklopite vtiče).
- 2) Namestite napravo z uporabo napajalnega tokokroga DC 5-24 V. Naprave NIKOLI ne priključite neposredno v električno vtičnico ali napajalnik 230 V/110 V. Velika nevarnost električnega udara ali požara in telesnih poškodb, če jih ne upoštevate.
- 3) Priprčajte se, da se Keypad PRO napaja tudi s priporočenimi baterijami 4xAAA, v primeru morebitnih izpadov električne energije, ki lahko sicer omejijo vašo zmogljivost dostopa do prostorov.
- 4) V primeru kakršnih koli dvomov glede namestitve se obrnite na nas na <https://>

70

tedee.com/get-support ali se obrnite na lokalnega profesionalnega električarja.

Niti Tedee Sp. z o.o., niti naši trgovci na drobno niso odgovorni za morebitno škodo kakršne koli vrste ali težave z nadzorom dostopa, ki so posledica nepravilne namestitve Tedee Keypad PRO v uporabnikov domači električni sistem. Zgoraj navedeno vključuje tako lastna nepravilna dejanja uporabnika kot tudi škodo, ki jo povzročijo ponudniki namestitvenih storitev tretjih oseb.

TEHNIČNI PODATKI

Tehnične specifikacije

Model
TKV2.0

Napajanje
4 baterije AAA

Bluetooth® komunikacija
BLE 5.2 2,4 GHz

Dimenzije
125 x 33 x 23,5 mm

Delovna temperatura
od -30°C do 50°C

Frekvenčni razpon
od 2,4 GHz do 2,483 GHz
največja izhodna moč: 8 dBm

Delovna vlažnost
največ 95%





Priporočena nastavitvev
max. 2 metra od tedee ključavnice max. 2 metra od mostu tedee

PRAVNE/OKOLJSKE OPOMBE

EU izjava o skladnosti

Tedee Sp. z oo izjavlja, da je radijska naprava Tedee Keypad PRO TKV2.0 v skladu z Direktivo 2014/53/EU. Celotno besedilo izjave EU o skladnosti je na voljo na naslednjem spletnem naslovu: www.tedee.com/compliance.

OEEO / RoHS

Da preprečite morebiten negativen vpliv na okolje, se obrnite na lokalne zakone in predpise za pravilno odlaganje elektronskih naprav in baterij v vaši državi. Odstranjevanje baterij – če vaša naprava tedee vsebuje baterije, jih ne odvrzite med običajne gospodinjske odpadke. Predajte jih ustreznemu obratu za recikliranje ali zbirnemu mestu. Baterije, ki se uporabljajo v napravah tedee, ne vsebujejo živega srebra, kadmija ali svinca nad ravnmi, določenimi v Direktivi 2006/66/ES. Odstranjevanje elektronike – naprave tedee ne odvrzite med običajne gospodinjske odpadke. Predajte ga ustreznemu obratu za recikliranje ali zbirnemu mestu.

Bluetooth®

Besedna znamka in logotipi Bluetooth® so v lasti Bluetooth SIG, Inc. in kakršna koli uporaba teh znakov s strani Tedee Sp. z oo je pod licenco. Druge blagovne znamke in trgovska imena so last njihovih lastnikov.

Google, Android in Google Play so blagovne znamke družbe Google LLC.

Apple in App Store sta blagovni znamki družbe Apple Inc. IOS je blagovna znamka ali registrirana blagovna znamka družbe Cisco v ZDA in drugih državah ter se uporablja pod licenco.

GA: EOLAS SÁBHÁILTEACHTA

TREOIRLÍNTE/RABHAIDH SÁBHÁILTEACHTA CEALLRAÍ

Áiríonn tacair eochaircheap Tedee faoi thiomáint ceallraí cadhnaí neamh-in-athluchtaithe agus neamh-inseirbhíse.

Ná déan

- Ná muirear ar chadhnaí neamh-in-athluchtaithe.
- Ná díchóimeáil, polladh, modhnaigh, scaoil, caith, ná cuir turraingí neamhriachtanacha eile ar chadhnaí.
- Ná fág nó stóráil cadhnaí in áiteanna te ar nós oigheann, sorn, solas díreach nó foinsé teasa eile.
- Ná cuir cadhnaí in oigheann micreathonn, ná in aon choimeádán ardbrú eile.
- Ná tumadh cadhnaí i leachtanna ná lig dóibh dul i dteagmháil le leachtanna.
- Ná cadhnaí ciorcad gearr.
- Ná húsáid cadhnaí a bhfuil an chuma orthu go bhfuil siad ag sceitheadh, mí-dhaite, meirgeach, dífhoirmithe; scaoileann boladh; nó atá neamhghnách ar shlí eile.
- Ná déan teagmháil le cadhnaí atá ag sceitheadh.
- Ná measc cadhnaí sean agus nua.
- Ná lean ar aghaidh ag muirearú cadhnaí níos faide ná an t-am sonraithe.
- Coinnigh na cadhnaí ar shiúl ó leanaí faoi bhun 3 bliana d'aois. Má shlogtar iad, déan teagmháil le do chabhair leighis áitiúil láithreach.

CADHNAÍ MOLTA

Ní mór duit 4 cadhnaí AAA a úsáid chun cumhacht a thabhairt do d'OCP Keypad. Ní cheadaímid ach cadhnaí AAA de 1,5V (LR03) a úsáid.





RABHADH:

Riosca damáiste buan don fheiste agus cailteanas baránta má shuiteáiltear cadhnaí le voltas oibriúcháin níos mó ná 1,5V!

- Cuir cadhnaí nua isteach i gceart, ag leanúint na siombailí chun foircinn dearfacha (+) agus diúltacha (-) gach ceallraí a shuíomh. Ná aisiompachigh polaraíocht ceallraí.
- Déan cadhnaí a stóráil in áit fhionnuar, thirim ag gnáththeocht an tseomra.
- Déan na cadhnaí a scaradh, a athchúrsáil agus a dhíúscairt de réir do rialacháin áitiúla. Le haghaidh tuilleadh eolais déan teagmháil le d'údarás áitiúil.
- Bain úsáid as na cadhnaí atá san áireamh ag teocht oibriúcháin -20 go +54 °C, agus stóráil iad ag teocht -30 go +45 °C. D'fhéadfadh damáiste, cailteanas maoin, sceitheadh nó pléascadh ceallraí a bheith mar thoradh ar dhul thar na raonta seo. Féadfaidh na raonta teochta thuas a bheith éagsúil ag brath ar mhonaróir na ceallraí.
- Nuair a athchuirtear cadhnaí san fheiste ná húsáid ach cineál amháin cadhnaí (ná meascadh).

Eolas eile

- Déan na feistí agus a chuid gabhálaí a dhíúscairt de réir do rialacháin áitiúla. Más féidir, athchúrsáil.
- Ná déan an gléas a dhíúscairt mar dhramhaíl t' agus ná é a dhó.
- Tá an gléas seo sábháilte le húsáid faoi ghnáthchod iompair mí-úsáide intuathra go réasúnta. Má thugann tú aon chomharthaí earráide nó mifheidhm crua-earraí faoi deara, déan teagmháil le tacaíocht theicniúil an té atá ag fáil cabhrach. I gcás den sórt sin ba chóir an gléas seo a chur ar ais chuig an té le haghaidh deisiúcháin riachtanacha faoi na coinníollacha bharánta. D'fhéadfadh aon athruithe nó mionathruithe ar chrua-earraí nó bogearraí an ghléis nach bhfuil ceadaithe, molta nó soláthraithe ag an téidí do bharántas a chur ar neamhní.
- Teastaíonn foinse cumhachta agus nasc Bluetooth(R) ón gléas seo le go n-oibreoidh sé i gceart agus d'fhéadfadh nasc Idirlín a bheith ag teastáil chun

cuid dá ghnéithe a úsáid. Níl an monaróir freagrach as fadhbanna rochtana seomra a d'fhéadfadh a bheith ann de bharr easpa rochtana idirlín nó teip nó ídiú na foinse cumhachta.

- Níl an gléas seo beartaíte lena húsáid mar chuid de chóras slándála baile. Ní dhearbhaíonn an monaróir aon airíonna frith-bhuirgléireachta nó fianuithe, deimhnithe nó aicmí cosanta frith-bhuirgléireachta don fheiste. Ní bheidh an monaróir faoi dhúiteanas i leith aon damáiste/díobhála a d'fhéadfadh a bheith ann de bharr gadaíochta, buirgléireachta nó cur isteach de bharr damáiste, sárú nó smachtú neamhúdaraíthe na feiste.
- Féadfaidh an gléas seo a cheangal ar tháirgí breise a cheannach chun cuid dá ghnéithe a chumasú. Má tá amhras ort, déan teagmháil le do thoil le tacaíocht teee .
- D'fhéadfadh go n-éileoidh an gléas seo próiseáil sonraí íogaire pearsanta, amhaíl sonraí bithmhéadracha, chun rochtain a fháil ar chuid dá feidhmeanna. Tá próiseáil den sórt sin go hiomlán deonach agus déantar í ar bhonn thoilú sainráite an úsáideora, ar féidir a tharraingt siar tráth ar bith.
- Níl Tedee Sp. z oo , ná níl ár gcuid miondíoltóirí freagrach as mainneachtain na rabhaidh agus na treoirínte sábháilteachta thuas a chomhlíonadh. Trí an gléas seo a cheannach, adhmaíonn an ceannaitheoir na rioscaí go léir a bhaineann le húsáid treataimh teidí . Mura n-aontaíonn tú leis na téarmaí seo, cuir an gléas ar ais chuig an monaróir nó an dáileoir roimh úsáid.

Cothabháil

- Bain na cadhnaí ón bhfeiste roimh ghlanadh. Ná húsáid aon bhealaithe, oibreáin ghiantacháin, snasna nó úiréirí aeir ar aon chuid den fheiste. Glan é le éadach tirim amháin.
- Má fhaightear amach go bhfuil tithíocht an fheiste nó an eochaircheap caite sa mhéid is go bhfuil sláine na tithíochta i gcontúirt, déan teagmháil le tacaíocht theicniúil teee .





NASC LEIS AN GCÓRAS LEICTREACH TÍ

Agus do Keypad PRO á nascadh le do chóras leictreach tí:

- 1) Déan aon obair shuiteála i gcónaí le do chuaird cumhachta as (múch na plocóidí).
- 2) Suiteáil an gléas ag baint úsáide as ciorcadra cumhachta DC 5- 24V. Ná cuir an gléas go díreach isteach in asraon leictreach nó i soláthar cumhachta 230V/110V riamh. Riosca ard leictreamharú nó tine agus gortú coirp, má dhéantar neamhaird de.
- 3) Bí cinnte go bhfuil Keypad OCP faoi thiomáint freisin leis na cadhnaí 4xAAA molta, i gcás briseadh cumhachta féideartha a d'fhéadfadh teorainn a chur ar do chumas rochtain a fháil ar áitreabh.
- 4) I gcás aon amhras maidir le suiteáil, déan teagmháil linn ag <https://tedee.com/get-support> nó déan teagmháil leis an leictreoir gairmiúil áitiúil.

Níl Tedee Sp. z oo , ná níl ár gcuid miondíoltóirí freagrach as aon damáiste a d'fhéadfadh a bheith ann d'aon chineál nó as saincheisteanna rialaithe rochtana a eascraíonn as suiteáil míchuí Tedee Keypad PRO ar chóras leictreach tí an úsáideora. Áirítear leis an méid thuas gníomhartha míchuí an úsáideora féin, chomh maith le damáistí a dhéanann soláthraithe seirbhísí suiteála tríú páirtí.

EOLAS TEICNIÚIL

Sonraíochtaí teicniúla

Múnla
TKV2.0

Soláthar cumhachta
4 cadhnaí AAA

Cumarsáid Bluetooth®
BLE 5.2 2.4GHz

Toisí
125 x 33 x 23,5 mm

Teocht oibriúcháin
ó -30°C go 50°C

Raon minicíochta
ó 2.4GHz go 2.483GHz
uaschumhacht aschurtha: 8dBm

taise oibriúcháin
95%

Socrú molta
max. 2 mhéadar ó ghlais teidí max. 2 mhéadar ó dhroichead títhe

NÓTAÍ DLÍ/TIMPEALLACHTA

Dearbhú Comhréireachta AE

Tedee Sp. Dearbhaíonn z oo leis seo go bhfuil gléas raidió Tedee Keypad PRO TKV2.0 i gcomhréir le Treoir 2014/53/AE. Tá téacs iomlán Dhearbhú Comhréireachta an AE ar fáil ag an seoladh idirlín seo a leanas: www.tedee.com/compliance.

WEEE / RoHS

Chun tionchar diúltach féideartha ar an gcomhshaol a chosc, téigh i gcomhairle le do dhlíthe agus rialacháin áitiúla maidir le diúscairt chúí gléasanna leictreonacha agus cadhnaí i do thír féin. Diúscairt cadhnaí – má tá cadhnaí ar do ghléas teidí





, ná cuir de láimh iad le dramhail rialta tí. Tabhair anonn iad chuig áis athchúrsála oiriúnach nó chuig pointe bailiúcháin. Ní bhíonn mearcair, caidmiam ná luaidhe atá os cionn na leibhéal a shonraítear i dTreoir 2006/66/CE i gcadhnaí a úsáidtear i bhfeistí teite . Diúscairt leictreonaic - ná cuir do ghléas teidí le dramhail rialta tí. Tabhair anonn é chuig áis athchúrsála oiriúnach nó chuig pointe bailiúcháin.

Bluetooth®

Is leis an Bluetooth SIG, Inc. an focalmharc Bluetooth® agus na lógónna agus is le Tedee Sp. Tá z oo faoi cheadúnas . Is trádmarcanna agus trádainmneacha eile iad sin a n-úinéirí faoi seach.

Is trádmarcanna de chuid Google LLC iad **Google, Android agus Google Play.**

Is trádmarcanna de chuid Apple Inc iad **Apple agus App Store.** Is trádmarc nó trádmarc cláraithe de chuid Cisco sna Stáit Aontaithe agus i dtíortha eile é IOS agus úsáidtear é faoi cheadúnas.

MT: INFORMAZZJONI DWAR IS-SIGURTÀ

LINJI GWIDA/TWISSIJET DWAR IS-SIGURTÀ TAL-BATTERIJA

Is-sett tat-tastiera Tedee li jahdem bil-batterija jinkludi batteriji mhux rikarikabbli u li ma jistghux jintużaw mill-utent.

M'ghandekx

- Tiċċarġjax batteriji mhux rikarikabbli.
- Żarmax, tittaqqab, timmodifkax, tvaqqa', tarmi, jew tikkawżax xokkijiet oħra mhux meħtieġa fuq il-batteriji.
- Thallix jew taħżinx batteriji f'postijiet shan bħal hdejn forn, stuġi, dawl tax-xemx dirett jew sors ieħor tas-shana.
- Tpoġġix batteriji f'forn microwave, jew f'xi kontenitur ieħor bi pressjoni għolja.

74

- Tghaddix batteriji f'likwidi jew tħallihom jiġu f'kuntatt ma 'likwidi.
- M'ghandekx short circuit batteriji.
- Tużax batteriji li jidhru li jinixxu, ikkuleriti, sadid, deformati; jarmu riħa; jew inkella huma anormali.
- Tmissx batteriji li jinixxu.
- Thallatx batteriji qodma u ġodda.
- Tkomplox iċċarġja l-batteriji itwal mill-hin speċifikat.
- Żomm il-batteriji 'l bogħod mit-tfal taħt l-età ta' 3 snin. Jekk tibla', ikkuntattja lill-ghajnuna medika lokali tiegħek immedjatament.

BATTERIJI RAKKOMANDATI

Bieħ thaddem it-Tastiera PRO tiegħek, trid tuża 4 batteriji AAA. Ahna nippermettu biss l-użu ta 'batteriji AAA ta' 1,5V (LR03).

TWISSIJA:

Riskju ta 'ħsara permanenti lill-apparat u telf ta 'garanzija jekk jiġu installati batteriji b'vultaġġ operattiv ta 'aktar minn 1,5V!

- Dahħal batteriji ġodda b'mod korrett, billi ssegwi s-simboli għall-ippożizzjonar tat-truf pożittivi (+) u negattivi (-) ta' kull batterija. Taqlebx il-polarità tal-batterija.
- Ahżen il-batteriji f'post frisk u niexef f'temperatura normali tal-kamra.
- Issegrega, irriċikla, u armi l-batteriji skont ir-regolamenti lokali tiegħek. Għal aktar informazzjoni ikkuntattja lill-awtorità lokali tiegħek.
- Uża l-batteriji inkluzi f'temperatura operattiva ta ' -20 sa +54 ° C, u ahżenhom f'temperatura ta ' -30 sa +45 ° C. Li jaqbeż dawn il-meded jista 'jirriżulta fi ħsara, telf ta 'proprietajiet, tnixxija, jew splużjoni tal-batterija. Il-firxiet tat-temperatura ta 'hawn fuq jistghu jvarjaw skont il-manifattur tal-batterija.
- Meta tissositwixxi l-batteriji fl-apparat uża biss tip wieħed ta 'batteriji (thallatx).





Informazzjoni oħra

- Armi l-apparati u l-aċċessorji tiegħu skont ir-regolamenti lokali tiegħek. Jekk possibbli, irriċikla.
- Tarmix l-apparat bħala skart domestiku u taħraqx.
- Dan l-apparat huwa sikur biex jintuza taħt kodiċi ta' kondotta operattiva ta' użu hażin normali u raġonevolment prevedibbli. Jekk tinnota xi sinjali ta' żbalji jew ħsara fil-hardwer, ikkuntattja l-appoġġ tekniku ta' tedee għall-ghajuna. F'każ bħal dan dan l-apparat għandu jintbagħat lura lil tedee għat-tiswijiet meħtieġa taħt il-kundizzjonijiet tal-garanzija. Kwalunkwe tiddil jew modifika għall-hardwer jew is-softwer tal-apparat li mhumiex approvati, rakkomandati jew iprovvduti minn tedee jistgħu jħassru l-garanzija tiegħek.
- Dan l-apparat jeħtieġ sors ta' enerġija u konnessjoni Bluetooth(R) għal thaddim tajjeb u jista' jeħtieġ konnessjoni tal-Internet biex tuża xi whud mill-karatteristiċi tiegħu. Il-manifattur mhux responsabbli għal problemi potenzjali ta' aċċess għall-kamera li jirriżultaw minn nuqqas ta' aċċess għall-internet jew falliment jew eżawriment tas-sors tal-enerġija.
- Dan l-apparat mhuxiex maħsub biex jintuza bħala parti minn sistema ta' sigurtà tad-dar. Il-manifattur ma jiddikjara l-ebda proprjetajiet kontra s-serq jew attestazzjonijiet, ċertifikati jew klassijiet ta' protezzjoni kontra s-serq għall-apparat. Il-manifattur m'għandux ikun responsabbli għal kwalunkwe ħsara/korrimment potenzjali mgarrba minhabba serq, serq jew intrużjoni li tirriżulta minn ħsara, jegħleb jew akkwist mhux awtorizzat tal-kontroll tal-apparat.
- Dan l-apparat jista' jeħtieġ ix-xiri ta' prodotti addizzjonali biex jippermetti xi whud mill-karatteristiċi tiegħu. Jekk għandek dubju, jekk jogħġbok ikkuntattja l-appoġġ ta' tedee .
- Dan l-apparat jista' jeħtieġ l-ipproċessar ta' data personali sensitiva, bħal data bijometrika, biex jaċċessa xi whud mill-funzjonijiet tiegħu. Tali ipproċessar huwa kompletament volontarju u jitwettaq fuq il-bażi tal -konsens espliċitu tal-utent, li jista' jiġi ritirat fi kwalunkwe hin.
- La Tedee Sp. z oo , u lanqas il-bejjiegħa bl-imnut tagħna huma responsabbli għan-nuqqas ta' konformità mat-twissijiet u l-linji gwida tas-sigurtà ta' hawn

fuq. Billi jixtri dan l-apparat, ix-xerrej jirrikonoxxi r-riskji kollha li huma assoċjati mal-użu tat -tagħmir tat-tedee . Jekk ma taqbilx ma' dawn it-termini, irritorna l-apparat lill-manifattur jew lid-distributur qabel l-użu.

Manutenzjoni

- Neħhi l-batteriji mill-apparat qabel it-tindif. Tużax lubrikanti, aġenti tat-tindif, lostri jew deodoranti għall-arja fuq kwalunkwe parti tal-apparat. Imsaħha b'ċarruta niexfa biss.
- Jekk il-housing tal-apparat jew it-tastiera jinstab li jintlibes sal-punt li l-integrità tal-housing hija kompromessa, ikkuntattja l-appoġġ tekniku tedee .

KONNESSJONI MAS-SISTEMA ELETRIKA DOMESTIKA

Waqt li tikkonnettja t-Tastiera PRO tiegħek mas-sistema elettrika tad-dar tiegħek:

- 1) Dejjem wettaq kwalunkwe xogħol ta' installazzjoni biċ-ċirkwiti tal-enerġija tiegħek mitfi (itfi l-plaġek).
- 2) Installa l-apparat billi tuża ċ-ċirkwit tal-enerġija DC 5- 24V. QATT ipplaggja l-apparat direttament fi żbokk elettriku jew provvista ta' enerġija 230V/110V. Riskju għoli ta' elettrokuzzjoni jew nar u korrimment fiżiku, jekk injorati.
- 3) Kun żgur li t-Tastiera PRO hija mħaddma wkoll bil-batteriji 4xAAA rakkomandati, f'każ ta' qtugħ potenzjali tad-dawl li inkella jista' jillimita l-kapaċità tiegħek biex taċċessa l-bini.
- 4) F'każ ta' xi dubji dwar l-installazzjoni, jekk jogħġbok ikkuntattja fuq <https://tedee.com/get-support> jew ikkuntattja lill-elettriku professjonali lokali.

La Tedee Sp. z oo , u lanqas il-bejjiegħa bl-imnut tagħna huma responsabbli għal kwalunkwe ħsara potenzjali ta' kwalunkwe tip jew kwistjonijiet ta' kontroll ta' aċċess li jirriżultaw minn installazzjoni mhux xierqa ta' Tedee Keypad PRO





fis-sistema elettrika tad-dar tal-utent. Dan ta' hawn fuq jinkludi kemm azzjonijiet mhux xierqa tal-utent stess, kif ukoll danni kkwazati minn fornituri ta' servizzi ta' installazzjoni ta' partijiet terzi.

INFORMAZZJONI TEKNIKA

Speċifikazzjonijiet tekniċi

Mudell
TKV2.0

Provvista ta' enerġija
4 batteriji AAA

Komunikazzjoni Bluetooth®
BLE 5.2 2.4GHz

Dimensjonijiet
125 x 33 x 23,5 mm
Temperatura operattiva
minn -30°C sa 50°C

Firxa tal-frekwenza
minn 2.4GHz sa 2.483GHz
qawwa massima tal-firxa: 8dBm

Umdità operattiva
massima 95%

Setup rakkomandat
max. 2 metri mis -serratura tedee max. 2 metri mill- pont tedee

76

NOTI LEGALI / AMBJENTALI

Dikjarazzjoni ta' Konformità tal-UE

Tedee Sp. z oo b'dan jiddikjara li l-apparat tar-radju Tedee Keypad PRO TKV2.0 huwa skont id-Direttiva 2014/53/UE. It-test sħih tad-Dikjarazzjoni tal-Konformità tal-UE huwa disponibbli fl-indirizz tal-internet li ġej: www.tedee.com/compliance.

WEEE / RoHS

Biex tevita impatt negattiv potenzjali fuq l-ambjent, ikkonsulta l-ġigijiet u r-regolamenti lokali tiegħek għar-rimi xieraq ta' apparat elettroniku u batteriji f'pajjiżek. Rimi tal-batteriji – jekk it-tagħmir tat-tedee tiegħek fih batteriji, tarmihomx mal-iskart domestiku regolari. Ghaddihom f'faċilità ta' riċiklagġ xierqa jew f'punt tal-gbir. Il-batteriji użati fl- apparati tedee ma fihomx merkurju, kadmju jew ċomb 'il fuq mil-livelli speċifikati fid-Direttiva 2006/66/KE. Rimi ta' l-elettronika - tarmix it -tedee tiegħek ma' skart regolari tad-dar. Ghaddiha f'faċilità ta' riċiklagġ xierqa jew punt ta' gbir.

Bluetooth®

Il-marka verbali u l-logos Bluetooth® huma proprjetà ta' Bluetooth SIG, Inc. u kwalunkwe użu ta' marki bħal dawn minn Tedee Sp. z oo huwa taħt liċenzja . Trademarks u ismijiet kummerċjali oħra huma daww tas-sidien rispettivi tagħhom.

Google, Android u Google Play huma trademarks ta' Google LLC.

Apple u App Store huma trademarks ta' Apple Inc. IOS hija trademark jew trademark registrata ta' Cisco fl-Istati Uniti u f'pajjiżi oħra u tintuża taħt liċenzja.











Tedee Keypad PRO

Tedee Sp. z o. o.

Karola Bohdanowicza 21/57
02-127 Warszawa
Polska

support@tedee.com
www.tedee.com

