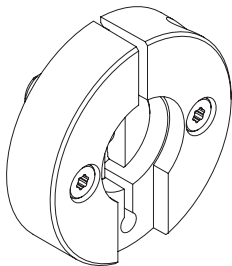


tedee

# INSTALLATION GUIDE AND USER MANUAL

tedee euro adapter



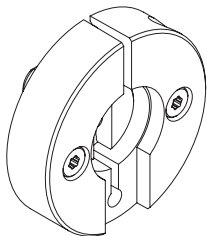
**Product should be installed only by professional locksmiths.**

Read installation guide and user manual and learn how to assemble the adapter in a safe and proper manner.

# table of contents

|   |         |
|---|---------|
| ■ <b>table of contents</b> .....                      | Page 2  |
| ■ <b>quick start with tedee euro adapter</b> .....    | Page 3  |
| ■ <b>disclaimers and warnings</b> .....               | Page 4  |
| ■ <b>set of items – what's in the box?</b> .....      | Page 5  |
| ■ <b>what's NOT in the box (but is needed)?</b> ..... | Page 6  |
| ■ <b>setup – 3 easy steps</b> .....                   | Page 7  |
| ■ step 1: PREPARE the door and CUT the key.....       | Page 7  |
| ■ step 2: PREPARE the adapter.....                    | Page 14 |
| ■ step 3: INSTALL tedee lock.....                     | Page 20 |
| ■ <b>additional and technical information</b> .....   | Page 24 |
| ■ technical information .....                         | Page 24 |
| ■ technical support.....                              | Page 24 |

## quick start with tedee euro adapter



Tedee euro adapter can be fitted to any door equipped with a lock that works with europrofile cylinders.

It's a part of tedee set. It's customized for tedee lock to make your door smart.

This booklet will give you an overview of the basic features of tedee euro adapter and will help you walk through the setup in 3 steps.

### tedee euro adapter setup – go to page 7

## 3 easy steps



**PREPARE**  
the door  
and CUT the key



**PREPARE**  
the adapter



**INSTALL**  
tedee lock

## disclaimers and warnings



**WARNING**

tedee euro adapter is a product which can be installed only by professional locksmiths.

Tools needed can cause serious bodily harm. You will need protective gear such as gloves and eye goggles. Before starting make sure all safety measures are met.



HAND PROTECTION  
(GLOVES)

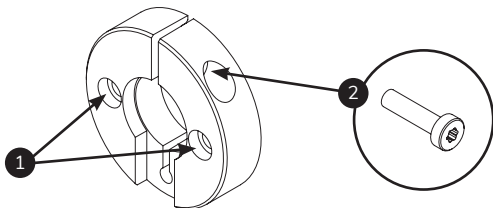


EYE PROTECTION  
(GOGGLES)

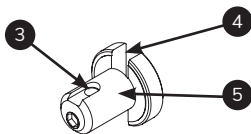
# set of items – what's in the box?

## tedee euro adapter

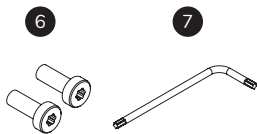
adapter - body



adapter - shaft



other items



**1.** Mounting holes  
**2.** Clamping screw

**3.** Groove and hole  
**4.** Key socket

**5.** Adapter shaft  
**6.** Mounting screws (x2)  
**7.** Torx key

# what's NOT in the box (but is needed)?

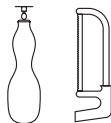
necessary to prepare



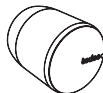
TIME (60 MIN)



RULER



GRINDER  
OR HACK SAW



TEDEE LOCK



VICE



PERMANENT  
MARKER



ALLEN KEY



YOUR KEY



HAND PROTECTION  
(GLOVES)

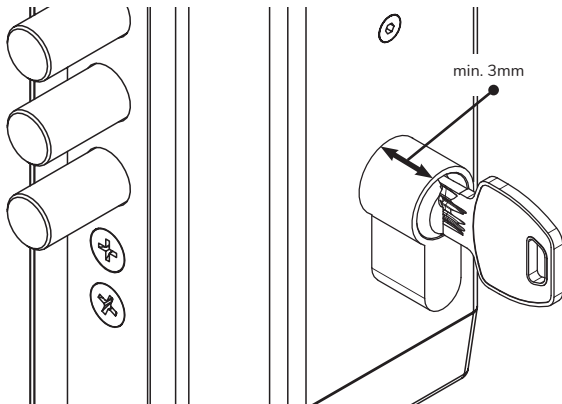


EYE PROTECTION  
(GOGGLES)

## setup - 3 easy steps

### step 1: PREPARE the door and CUT the key

- 1 Please check, how much your cylinder sticks out from the lock escutcheon (from the inside of your apartment).

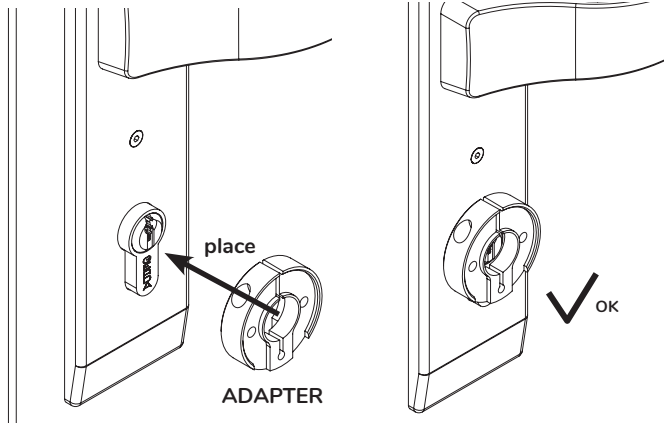


**Note:** If it's less than 3mm you will have to replace your old cylinder. You can either:

- order a GERDA SLR Modular Cylinder and fit it to your door as described in GERDA SLR Modular Cylinder user manual and installation guide (and install tedee lock directly on it), or
- consult your locksmith in order to buy any other euro-profile double-clutch cylinder that fits your door.

## setup - 3 easy steps

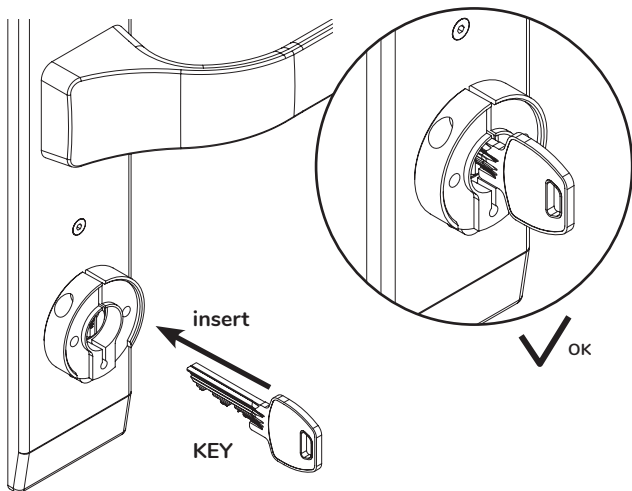
- 2 Fit the euro adapter on your door cylinder (from the inside of your apartment).





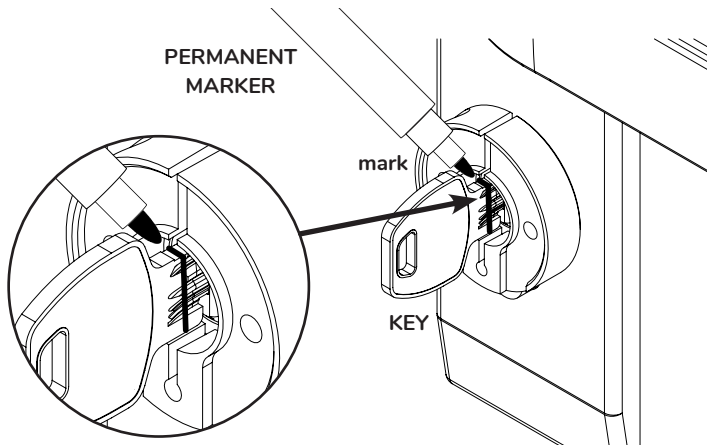
## setup - 3 easy steps

- 3 Insert your key in the cylinder.



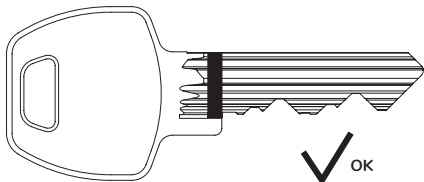
## setup - 3 easy steps

- 4 Use a permanent marker to mark a line on your key.



**Note:** The line has to be drawn slightly below the rim of the inner adapter hole.

## setup - 3 easy steps



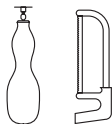
**Note:** If you already have the key prepared in this way, you're almost ready to proceed to the next step. Before doing so, make sure you have all necessary tools: a vice and a hacksaw or an angle grinder.

**Warning:** Next steps can be carried out by professional locksmiths only – remember to protect your hands with gloves and your eyes with a protective mask or goggles.

### Don't start without hand and eye protection gear!



VICE



GRINDER  
OR HACK SAW



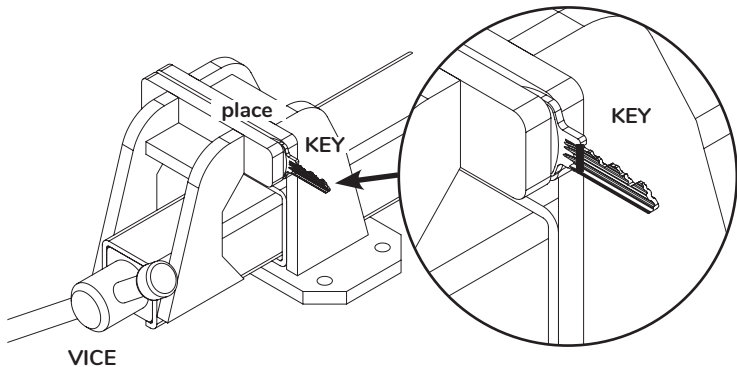
HAND PROTECTION  
(GLOVES)



EYE PROTECTION  
(GOGGLES)

## setup - 3 easy steps

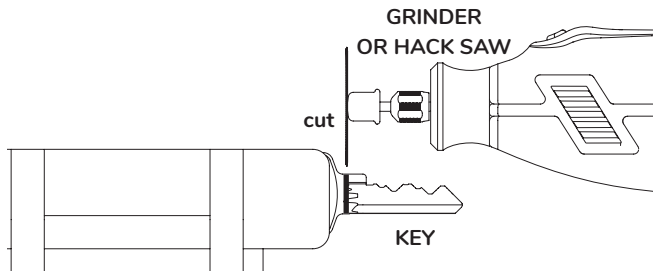
- 5 Place the key in the vice firmly.



**Note:** The marking line has to be visible and accessible for a hacksaw or an angle grinder – allowing to be cut across.

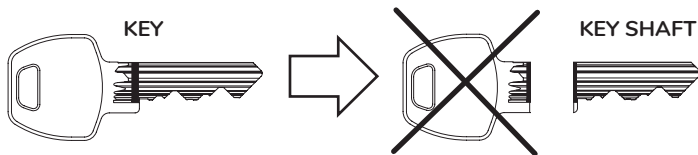
## setup - 3 easy steps

- 6 Cut the key in half across the marking line using a handsaw or a grinder. Be careful and watch out for your hands and eyes.



**Note:** Try cutting the key from top to bottom side until it falls off.

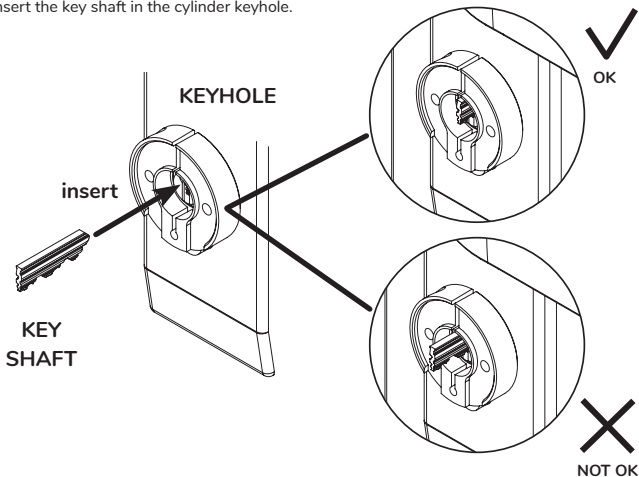
- 7 You can throw the key head away – it will not be needed anymore.



# setup - 3 easy steps

## step 2: PREPARE the adapter

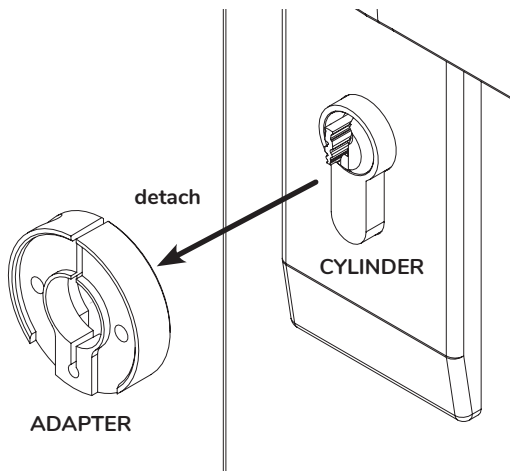
- 1 Insert the key shaft in the cylinder keyhole.



**Note:** Firmly push it forward to make sure it doesn't stick out of the adapter.

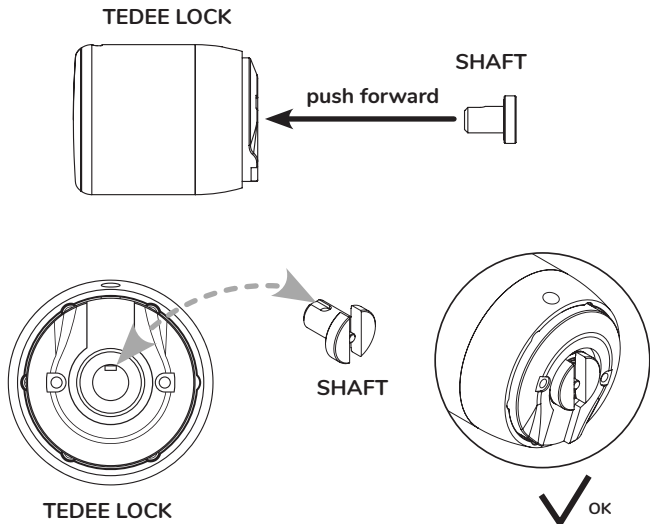
## setup - 3 easy steps

- 2 Detach the adapter from the door, but leave the key shaft inside the cylinder.



## setup - 3 easy steps

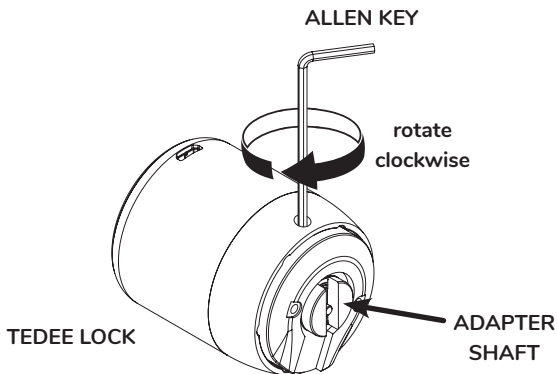
- 3 Insert the adapter shaft into the mounting hole of your tedee lock.





## setup - 3 easy steps

- 4 Fix the adapter shaft tightly on tedee lock using the Allen key provided in tedee lock box.

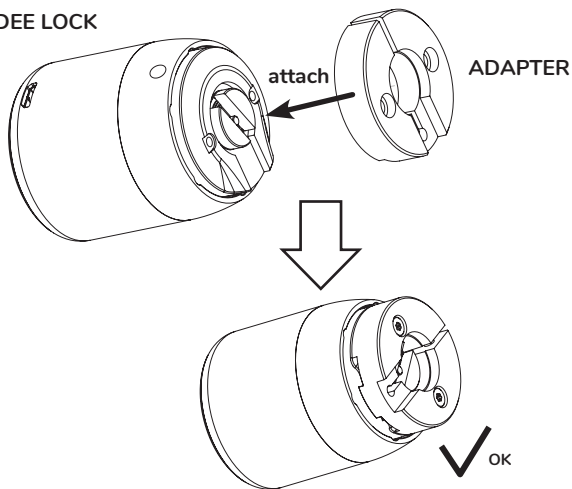


**Note:** Keep rotating the key until it stops (at least two full turns).

## setup - 3 easy steps

- 5 Attach the adapter to the rear side of your tedee lock.

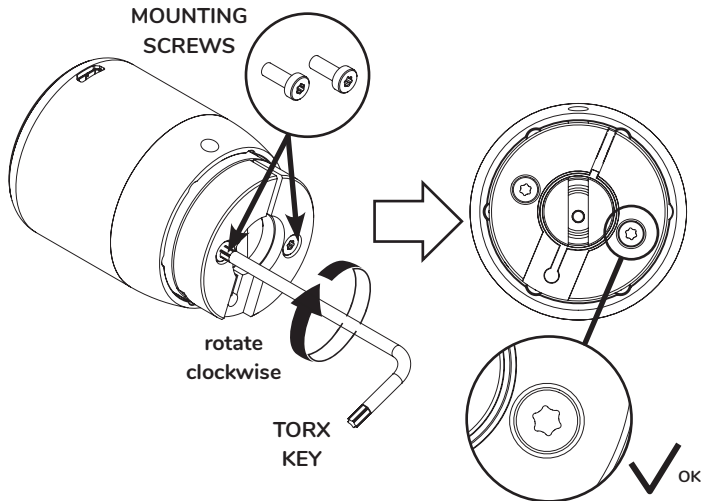
TEDEE LOCK



**Note:** Make sure that the adapter matches the rear side of your tedee lock.

## setup - 3 easy steps

- 6 Mount the adapter to your tedee lock using two mounting screws. Use torx key.

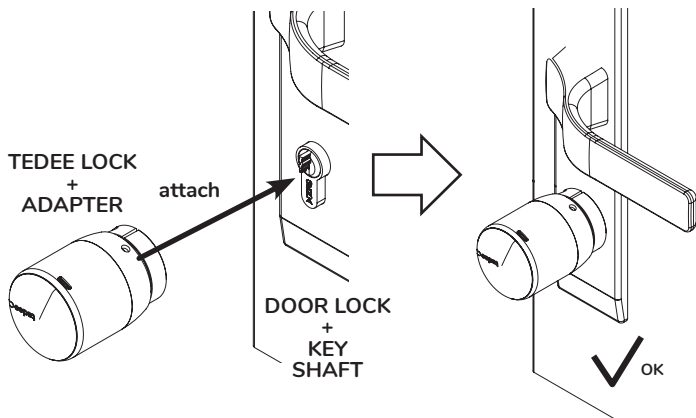


**Note:** Keep rotating the key until it stops.

## setup - 3 easy steps

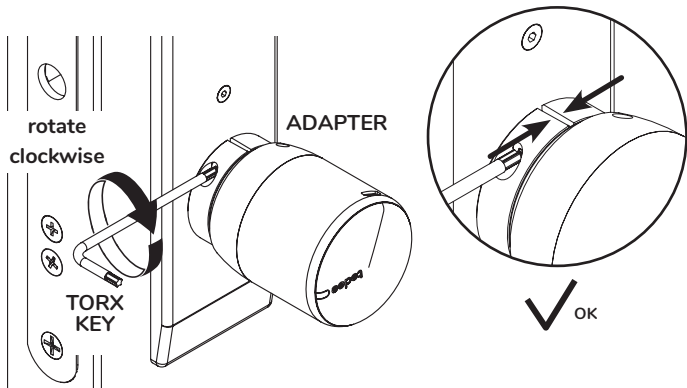
### step 3: install tedee lock

- 1 Attach the combined tedee lock and adapter with the door lock.  
**IMPORTANT:** make sure that key shaft fits inside the key socket.



## setup - 3 easy steps

- 2 Fix the adapter tightly on your tedee lock using clamping screw and torx key.



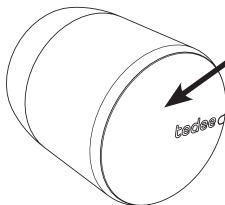
**Note:** Keep rotating the torx key until it stops.

## setup - 3 easy steps



**Note:** before turning on tedee lock make sure you read tedee lock installation guide and user manual and learn how to use your device in a safe and proper manner.

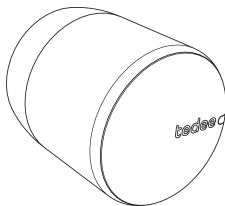
- 3 Turn on the lock.



Hold the button  
pressed for two  
seconds

- 4 Check light signal (LED).

RED - BLUE - GREEN - WHITE



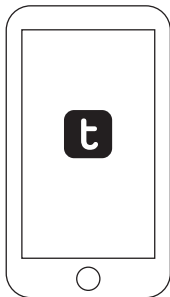
OK



**Note:** after the RED-BLUE-GREEN-WHITE sequential light signal your tedee lock is ready to be added and calibrated in the app.

## setup - 3 easy steps

- 5 Download tedee app, create new account, and log in as described in step 2 of tedee lock installation guide and user manual.



**Note:** tedee lock which is not added to any account may turn off after a few minutes. If it does so, please turn it on again before starting the calibration.

- 6 Use tedee app to activate and calibrate your tedee lock as described in step 3 of tedee lock installation guide and user manual.



**Note:** follow instructions in tedee lock installation guide and user manual (step 2 and step 3).

## additional and technical information

### technical information

#### tedee euro adapter

|                     |  |
|---------------------|--|
| <b>Category</b>     | euro adapter for euro-profile cylinders  |
| <b>Manufacturer</b> | GERDA Sp. z o.o. ul. Sokołowska 49, 05-806 Komorów, POLAND<br>+48 (22) 329 10 30, <a href="http://www.gerda.pl">www.gerda.pl</a> |

### technical support



**For technical support please contact our support team**



[support@tedee.com](mailto:support@tedee.com)



[www.tedee.com/support](http://www.tedee.com/support)



(+48) 884 088 011  
Mon-Fri 8am – 4pm (CET)

# tedee

Tedee Sp. z o.o. | Bohdanowicza 21/57, 02-127 Warsaw, POLAND  
[www.tedee.com](http://www.tedee.com) | [support@tedee.com](mailto:support@tedee.com)